



Warewashing Systems

INSTALLATION, OPERATION, AND SERVICE MANUAL



CREW[®]



CREW[®] SERIES CONVEYOR DISHMACHINES

CREW[®] Manual • Rev N • 07610-003-78-18 • Issued: 07-27-10 • Revised: 8-22-16

MANUFACTURER'S WARRANTY

ONE YEAR LIMITED PARTS AND LABOR WARRANTY

ALL NEW JACKSON DISHWASHERS ARE WARRANTED TO THE ORIGINAL PURCHASER TO BE FREE FROM DEFECTS IN MATERIAL OR WORKMANSHIP, UNDER NORMAL USE AND OPERATION, FOR A PERIOD OF (1) ONE YEAR FROM DATE OF PURCHASE, BUT IN NO EVENT TO EXCEED (18) EIGHTEEN MONTHS FROM DATE OF SHIPMENT FROM THE FACTORY.

Jackson WWS agrees under this warranty to repair or replace, at its discretion, any original part which fails under normal use due to faulty material or workmanship during the warranty period, providing the equipment has been unaltered, and has been properly installed, maintained, and operated in accordance with the applicable factory instruction manual and failure is reported to an authorized service agency within the warranty period. This includes the use of factory-specified genuine replacement parts, purchased directly from a Jackson-authorized parts distributor or service agency. Use of generic replacement parts may create a hazard and void warranty certification.

The labor to repair or replace such failed part will be paid by Jackson WWS, within the continental United States, Hawaii, and Canada, during the warranty period provided a Jackson WWS authorized service agency, or those having prior authorization from the factory, performs the service. Any repair work by persons other than a Jackson WWS authorized service agency is the sole responsibility of the customer. Labor coverage is limited to regular hourly rates; overtime premiums and emergency service charges will not be paid by Jackson WWS.

Accessory components not installed by the factory carry a (1) one year parts warranty only. Accessory components such as table limit switches, pre-rinse units, etc. that are shipped with the unit and installed at the site are included. Labor to repair or replace these components is not covered by Jackson WWS.

This warranty is void if failure is a direct result from shipping, handling, fire, water, accident, misuse, acts of God, attempted repair by unauthorized persons, improper installation, if serial number has been removed or altered, or if unit is used for a purpose other than originally intended.

TRAVEL LIMITATIONS

Jackson WWS limits warranty travel time to (2) two hours and mileage to (100) one-hundred miles. Jackson WWS will not pay for travel time and mileage that exceeds this, or any additional fees—such as those for air or boat travel—without prior authorization.

WARRANTY REGISTRATION

To register your product, go to www.jacksonwws.com or call 1-888-800-5672. Failure to register your product will void the warranty.

REPLACEMENT PARTS WARRANTY

Jackson replacement parts are warranted for a period of (90) ninety days from date of installation or (180) one-hundred-eighty days from the date of shipment from the factory, whichever occurs first.

PRODUCT CHANGES AND UPDATES

Jackson WWS reserves the right to make changes in the design and specification of any equipment as engineering or necessity requires.

THIS IS THE ENTIRE AND ONLY WARRANTY OF JACKSON WWS. JACKSON'S LIABILITY ON ANY CLAIM OF ANY KIND, INCLUDING NEGLIGENCE, WITH RESPECT TO THE GOODS OR SERVICES COVERED HEREUNDER, SHALL IN NO CASE EXCEED THE PRICE OF THE GOODS OR SERVICES OR PART THEREOF WHICH GIVES RISE TO THE CLAIM.

THERE ARE NO WARRANTIES, EXPRESSED OR IMPLIED, INCLUDING FOR FITNESS OR MERCHANTABILITY, THAT ARE NOT SET FORTH HEREIN, OR THAT EXTEND BEYOND THE DURATION HEREOF. UNDER NO CIRCUMSTANCES WILL JACKSON WWS BE LIABLE FOR ANY LOSS OR DAMAGE, DIRECT OR CONSEQUENTIAL, OR FOR DAMAGES IN THE NATURE OF PENALTIES, ARISING OUT OF THE USE OR INABILITY TO USE ANY OF ITS PRODUCTS.

ITEMS NOT COVERED

THIS WARRANTY DOES NOT COVER CLEANING OR DELIMITING OF THE UNIT OR ANY COMPONENT SUCH AS, BUT NOT LIMITED TO, WASH ARMS, RINSE ARMS, OR STRAINERS AT ANYTIME. NOR DOES IT COVER ADJUSTMENTS SUCH AS, BUT NOT LIMITED TO, TIMER CAMS, THERMOSTATS, OR DOORS BEYOND (30) THIRTY DAYS FROM THE DATE OF INSTALLATION. IN ADDITION, THE WARRANTY WILL ONLY COVER REPLACEMENT WEAR ITEMS SUCH AS CURTAINS, DRAIN BALLS, DOOR GUIDES, OR GASKETS DURING THE FIRST (30) THIRTY DAYS AFTER INSTALLATION. ALSO, NOT COVERED ARE CONDITIONS CAUSED BY THE USE OF INCORRECT (NON-COMMERICAL) GRADE DETERGENTS, INCORRECT WATER TEMPERATURE OR PRESSURE, OR HARD WATER CONDITIONS.

REVISION HISTORY

Revision Letter	Revision Date	Made by	Applicable ECNs	Details
A	07-27-10	CW/JC	N/A	Initial release of manual.
B	02-25-11	JC	8183 8186 8187 8177	Transformer change for 208V units. Drain handle operation & alignment change. Door splash shield addition. Rinse paddle switch operation. Initial release of 66" units, 44" Steam units & 66" Steam units.
C	06-30-11	JC	N/A	Initial release of 23" & 30" unhooded side loaders.
D	03-28-13	JC	N/A	Changed Jackson logo.
E	08-12-13	BG	8271	Added door magnet cover.
F	01-31-14	MHH		Added Blower/Dryer option. Updated control box. Updated schematics.
G	10-27-14	KAP	QOF-386	Added new Vent Shield P/N 05700-004-18-73 on pg. 54
H	03-02-15	KAP	N/A	Updated P/N for item #10 on pg. 55.
J	03-10-15	KAP	N/A	Updated P/N for item #4 on pg. 71
K	04-17-15	KAP	N/A	Updated Rinse Assembly Drawing on pg. 41
L	05-26-15	KAP	N/A	Combined PLC 1 & 2 under part # 06401-004-13-59
M	01-25-16	JH	N/A	Added Hatco Booster service information to page 61. Updated manual format. Added External Device Wiring and Drain Quench Kit Instructions.
N	08-22-16	JH	N/A	Corrected P/N for item #11 on pg. 30. Corrected water flow pressure for CREW 66 on pg. 9. Corrected booster information for 70-degree-rise booster on pg. 12. Added range of adjustable feet to pgs. 1-4. Removed MCA and MOP values from pgs. 11-12. Added directional arrows and prewash indicators to pg. 18.

SYMBOLS



- risk of injury to personnel.



- risk of damage to equipment.



- risk of electrical shock.



- caustic chemicals.



- reference data plate.



- lockout electrical power.

NOTICE - important note.

ABBREVIATIONS & ACRONYMS

ANSI - American National Standards Institute

CFM - Cubic Feet per Minute

GHT - Garden Hose Thread

GPM - Gallons per Minute

GPG - Grains per Gallon

HP - Horse Power

Hz - Hertz

ID - Inside Diameter

kW - Kilowatts

NFPA - National Fire Protection Association

NPT - National Pipe Thread

PSI - Pounds per Square Inch



ELECTRICALLY-HEATED MODELS:

CREW® 44

CREW® 66

Chemical-sanitizing rack conveyer machine.

STEAM-HEATED MODELS:

CREW® 44S

CREW® 66S

Steam-cleaning rack conveyer machine.

Model: _____

Serial No.: _____

Installation Date: _____

Service Rep. Name: _____

Phone Number: _____

Jackson WWS, Inc. provides technical support for all of the dishmachines detailed in this manual. We strongly recommend that you refer to this manual before making a call to our technical support staff. Please have this manual with you when you call so that our staff can refer you, if necessary, to the proper page. Technical support is not available on holidays.

Contact technical support toll free at 1-888-800-5672.

Technical support is available for service personnel only.

TABLE OF CONTENTS

SPECIFICATIONS

Machine Dimensions	1
Side-Loader Dimensions	5
Steam Booster Heater Dimensions	6
Blower/Dryer Option Dimensions.....	7
Operating Parameters	8
Electrical Requirements	10

INSTALLATION

Installation Instructions	13
External Device Wiring	17
Curtain Installation	18
Drain Quench Kit.....	19
Operating Instructions	21
Delime Instructions	23

MAINTENANCE

Troubleshooting	24
-----------------------	----

PARTS

Control Box Components	26
Overloads	28
Miscellaneous Electrical Components	29
Wash Heater & Heater Shroud Assemblies	30
Pump Suction Assembly	31
Wash Heaters	32
Door Assembly	33
Pre-Wash Door Assembly	34
Door Spring Assembly	35
Plumbing Assembly, Main Water Inlet	36
Wash Tank Fill Assembly	37
Pre-Wash Tank Fill Assemblies	38
Wash Manifold & Arm Assembly	39
Pre-Wash Manifold & Arm Assemblies	41
Rinse Assembly	43
Pawl Bar Assemblies	45
Pawl Bar Bracket Assembly	46
Pawl Bar Gutter Assembly	47
Rack Paddle Assembly	48

PARTS

Rinse Paddle Assemblies49

Drain Assembly Parts50

Covers, Guards & Panels51

Brackets52

Miscellaneous Parts53

Ventilation Cowl Parts54

Ventilation Cowl for Unhooded Side-Loader55

Drive Assembly56

Side-Loaders58

Side-Loader Drive Linkage60

Steam Heating Coil Assembly62

Booster Heater Option (Electric)63

Booster Heater Option (Steam)64

Blower/Dryer Option, Machine Assembly66

Blower/Dryer Option, Control Box67

Blower/Dryer Option, Blower Assembly68

SCHEMATICS

Booster Heater, 3-Phase69

Booster Heater, 1-Phase, 12kW70

Booster Heater, 1-Phase, 18kW71

Steam Booster Heater72

Temperature Board73

Photocell Table Limit Switch74

44" 208/230/460V, 60Hz, 3-Phase75

44" 208/230V, 60Hz, 1-Phase76

44" Steam, 208/230/460V, 60Hz, 3-Phase77

44" Steam, 208/230V, 60Hz, 1-Phase78

66" 208/230/460V, 60Hz, 3-Phase79

66" 208/230V, 60Hz, 1-Phase80

66" Steam, 208/230/460V, 60Hz, 3-Phase81

66" Steam, 208/230V, 60Hz, 1-Phase82

Blower/Dryer, 240V83

Blower/Dryer, 480V84

44" MACHINE DIMENSIONS

SPECIFICATIONS

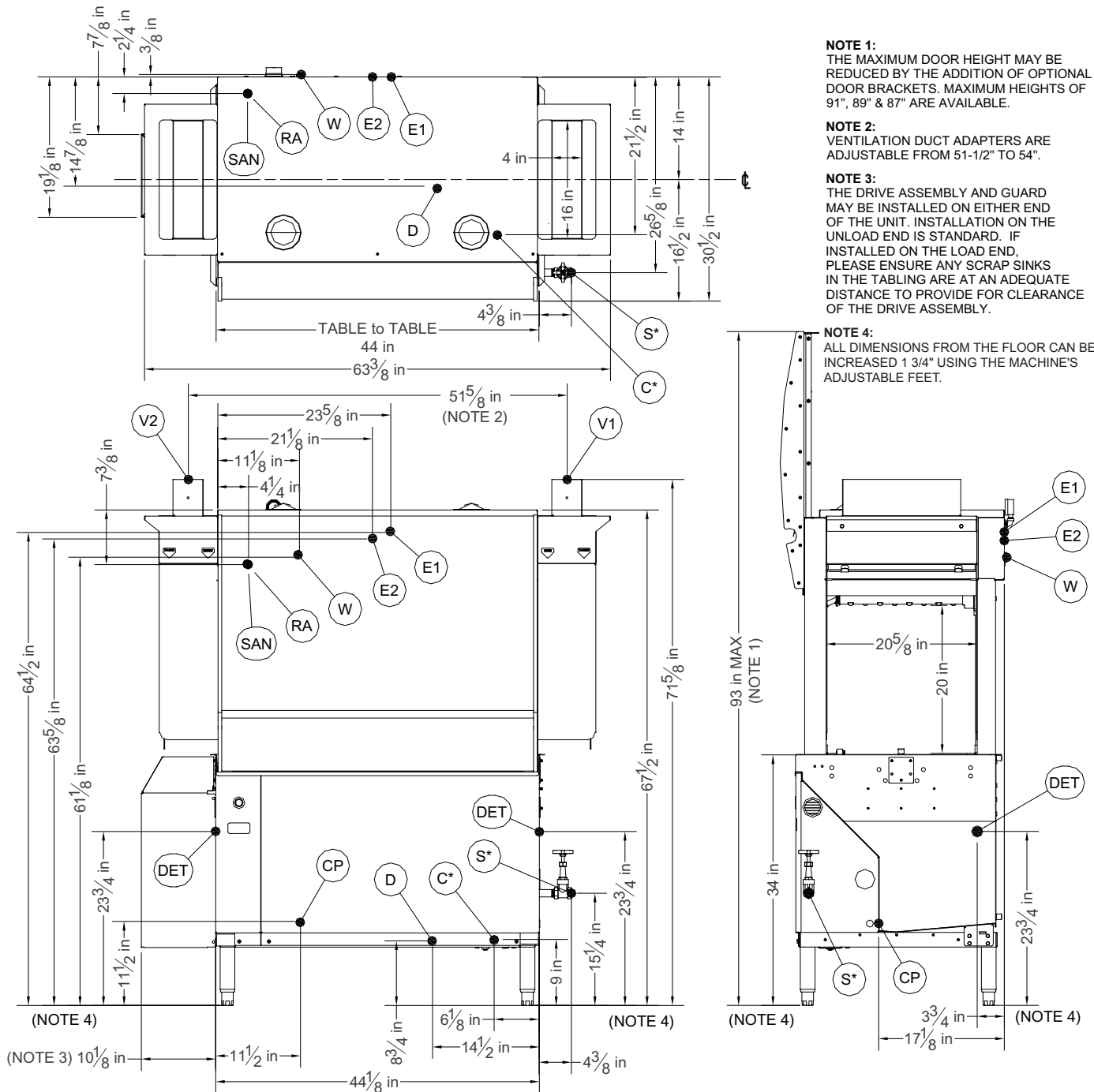
44" RIGHT-TO-LEFT

NOTE 1:
THE MAXIMUM DOOR HEIGHT MAY BE REDUCED BY THE ADDITION OF OPTIONAL DOOR BRACKETS. MAXIMUM HEIGHTS OF 91", 89" & 87" ARE AVAILABLE.

NOTE 2:
VENTILATION DUCT ADAPTERS ARE ADJUSTABLE FROM 51-1/2" TO 54".

NOTE 3:
THE DRIVE ASSEMBLY AND GUARD MAY BE INSTALLED ON EITHER END OF THE UNIT. INSTALLATION ON THE UNLOAD END IS STANDARD. IF INSTALLED ON THE LOAD END, PLEASE ENSURE ANY SCRAP SINKS IN THE TABLING ARE AT AN ADEQUATE DISTANCE TO PROVIDE FOR CLEARANCE OF THE DRIVE ASSEMBLY.

NOTE 4:
ALL DIMENSIONS FROM THE FLOOR CAN BE INCREASED 1 3/4" USING THE MACHINE'S ADJUSTABLE FEET.



*Applies to steam heated units

** Chemical sanitizing units only

E1	MAIN ELECTRICAL CONNECTION (1.375" DIA HOLE)
E2	BOOSTER HEATER ELECT. CONNECTION (1.375" DIA)
W	MAIN INLET WATER CONNECTION (1/2 NPT-F)
D	DRAIN CONNECTION (1-1/2" NPT-F)
DET	DETERGENT BULKHEAD ACCESS (.875" DIA HOLE)
SAN**	SANITIZER INLET TO RINSE (1/8" NPT-F)

RA	RINSE AID CONNECTION TO RINSE (1/8" NPT-F)
CP	CONDUCTIVITY PROBE ACCESS (.875" DIA HOLE)
S*	STEAM TO WASH TUB HEATING COIL (3/4" NPT-F)
C*	CONDENSATE RETURN (3/4" NPT-F)
V1	VENTILATION DUCT CONN. (LOAD END) 4" x 16" ID
V2	VENTILATION DUCT CONN. (UNLOAD END) 4" x 16" ID

SPECIFICATIONS

66" MACHINE DIMENSIONS

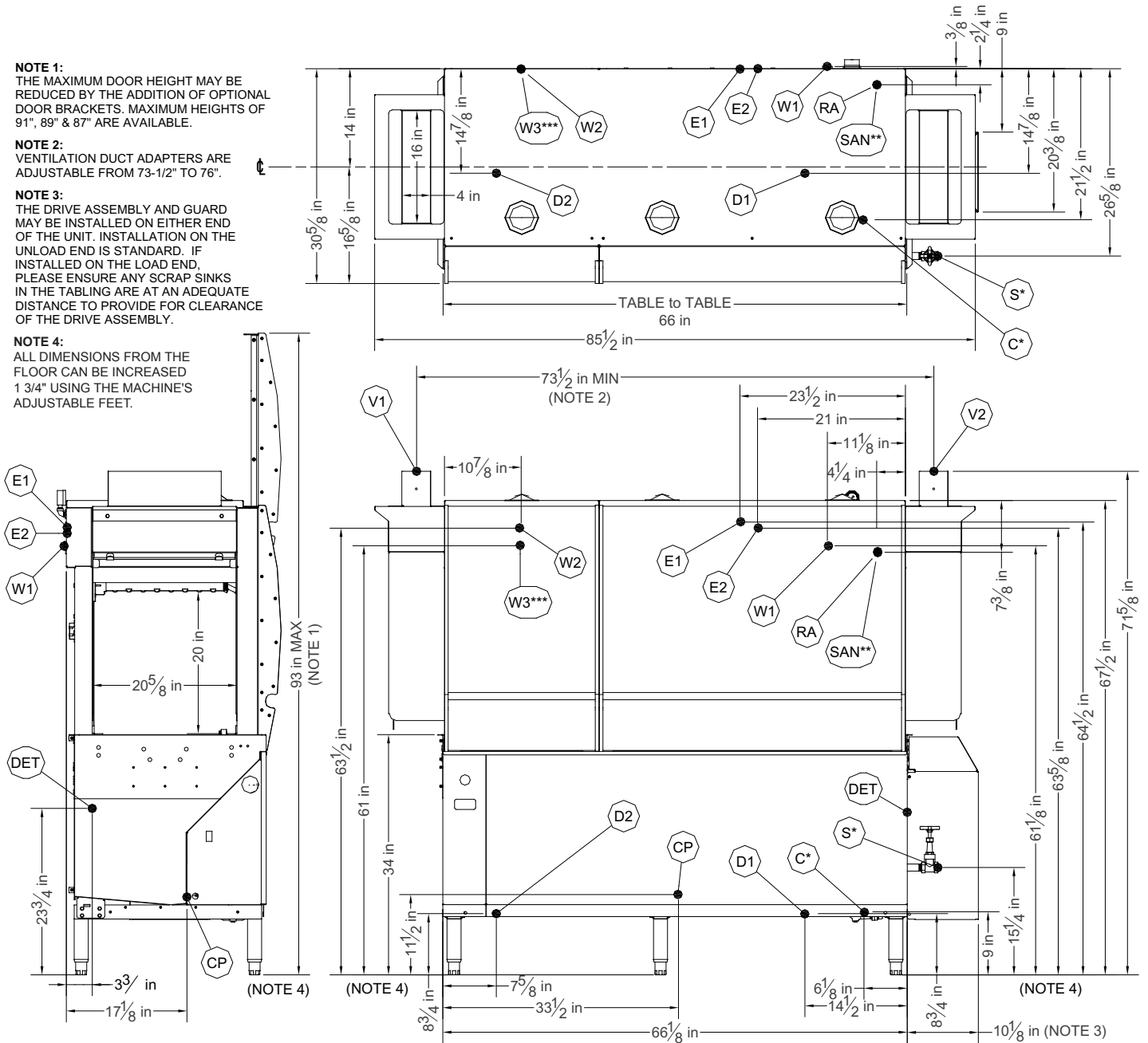
66" LEFT-TO-RIGHT

NOTE 1:
THE MAXIMUM DOOR HEIGHT MAY BE REDUCED BY THE ADDITION OF OPTIONAL DOOR BRACKETS. MAXIMUM HEIGHTS OF 91", 89" & 87" ARE AVAILABLE.

NOTE 2:
VENTILATION DUCT ADAPTERS ARE ADJUSTABLE FROM 73-1/2" TO 76".

NOTE 3:
THE DRIVE ASSEMBLY AND GUARD MAY BE INSTALLED ON EITHER END OF THE UNIT. INSTALLATION ON THE UNLOAD END IS STANDARD. IF INSTALLED ON THE LOAD END, PLEASE ENSURE ANY SCRAP SINKS IN THE TABLING ARE AT AN ADEQUATE DISTANCE TO PROVIDE FOR CLEARANCE OF THE DRIVE ASSEMBLY.

NOTE 4:
ALL DIMENSIONS FROM THE FLOOR CAN BE INCREASED 1 3/4" USING THE MACHINE'S ADJUSTABLE FEET.



*Applies to steam heated units

** Chemical sanitizing units only

*** Pre-wash cold water thermostat option only

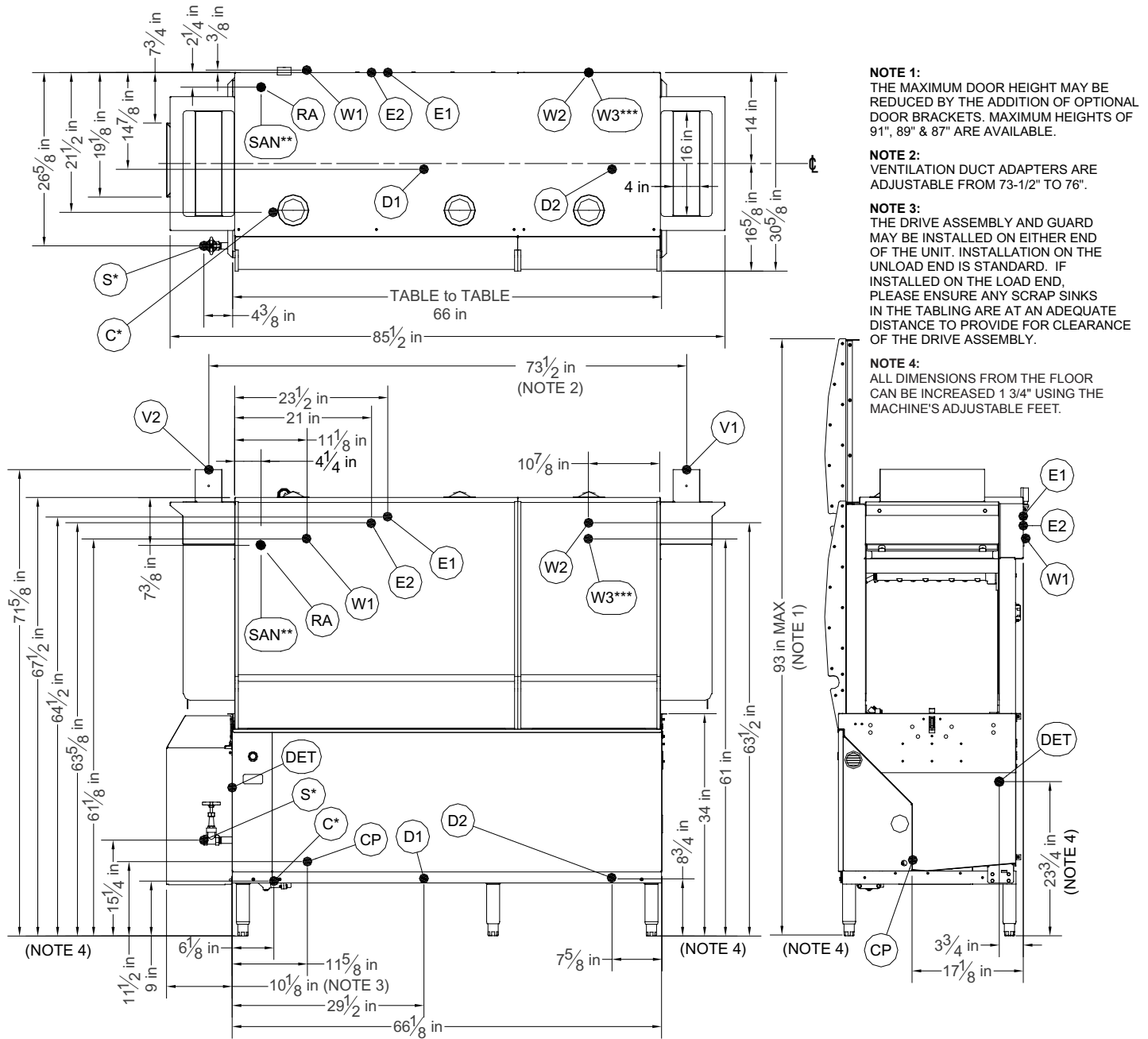
E1	MAIN ELECTRICAL CONNECTION (1.375" DIA HOLE)
E2	BOOSTER HEATER ELECT. CONNECTION (1.375" DIA)
W1	MAIN INLET WATER CONNECTION (1/2 NPT-F)
W2	PRE-WASH INLET WATER CONN. (1/2 NPT-F)
W3***	PRE-WASH COLD WATER CONN. (1/2 NPT-F)
D1	DRAIN CONNECTION, WASH (1-1/2" NPT-F)
D2	DRAIN CONNECTION, PRE-WASH (1-1/2" NPT-F)
DET	DETERGENT BULKHEAD ACCESS (.875" DIA HOLE)

SAN**	SANITIZER INLET TO RINSE (1/8" NPT-F)
RA	RINSE AID CONNECTION TO RINSE (1/8" NPT-F)
CP	CONDUCTIVITY PROBE ACCESS (.875" DIA HOLE)
S*	STEAM TO WASH TUB HEATING COIL (3/4" NPT-F)
C*	CONDENSATE RETURN (3/4" NPT-F)
V1	VENTILATION DUCT CONN. (LOAD END) 4" x 16" ID
V2	VENTILATION DUCT CONN. (UNLOAD END) 4" x 16" ID

66" MACHINE DIMENSIONS

SPECIFICATIONS

66" RIGHT-TO-LEFT



NOTE 1:
THE MAXIMUM DOOR HEIGHT MAY BE REDUCED BY THE ADDITION OF OPTIONAL DOOR BRACKETS. MAXIMUM HEIGHTS OF 91", 89" & 87" ARE AVAILABLE.

NOTE 2:
VENTILATION DUCT ADAPTERS ARE ADJUSTABLE FROM 73-1/2" TO 76".

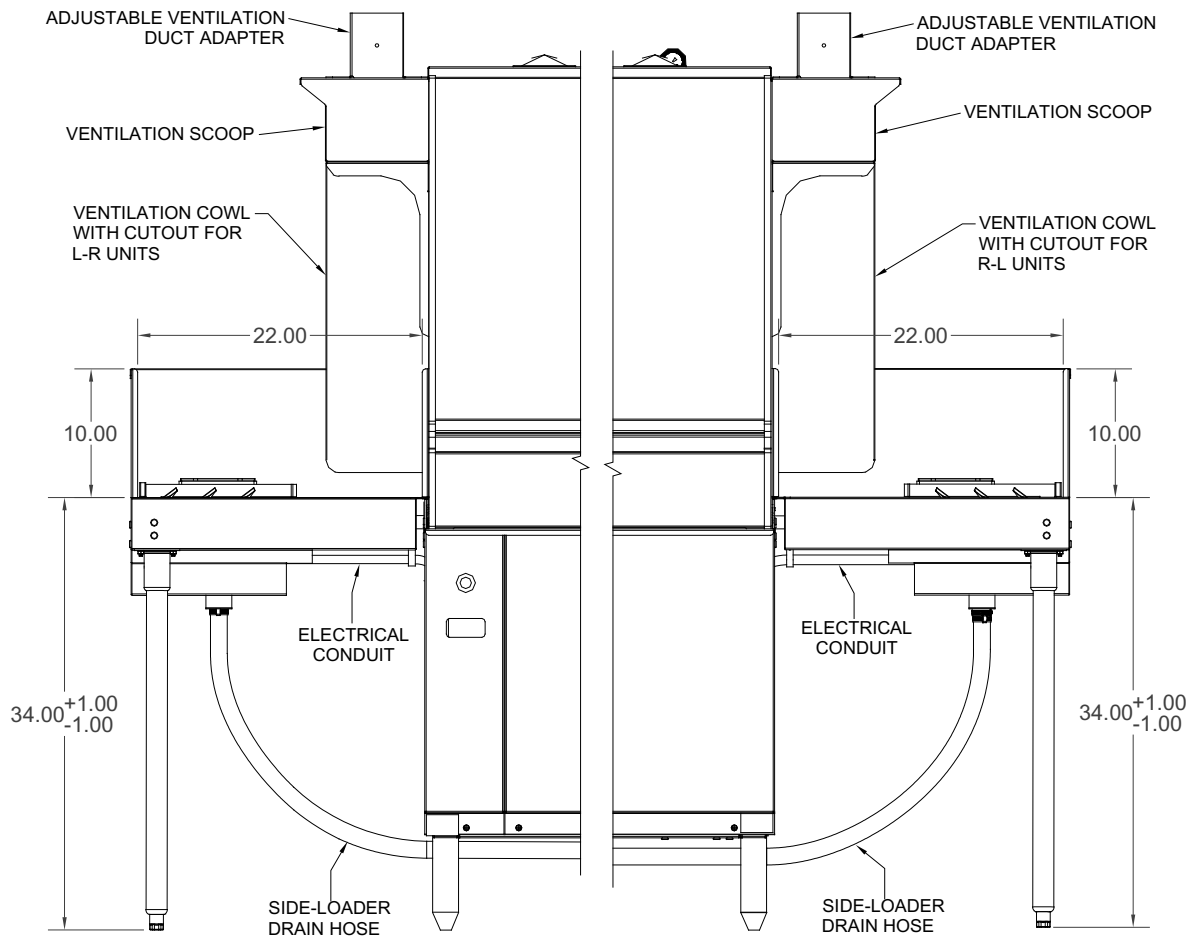
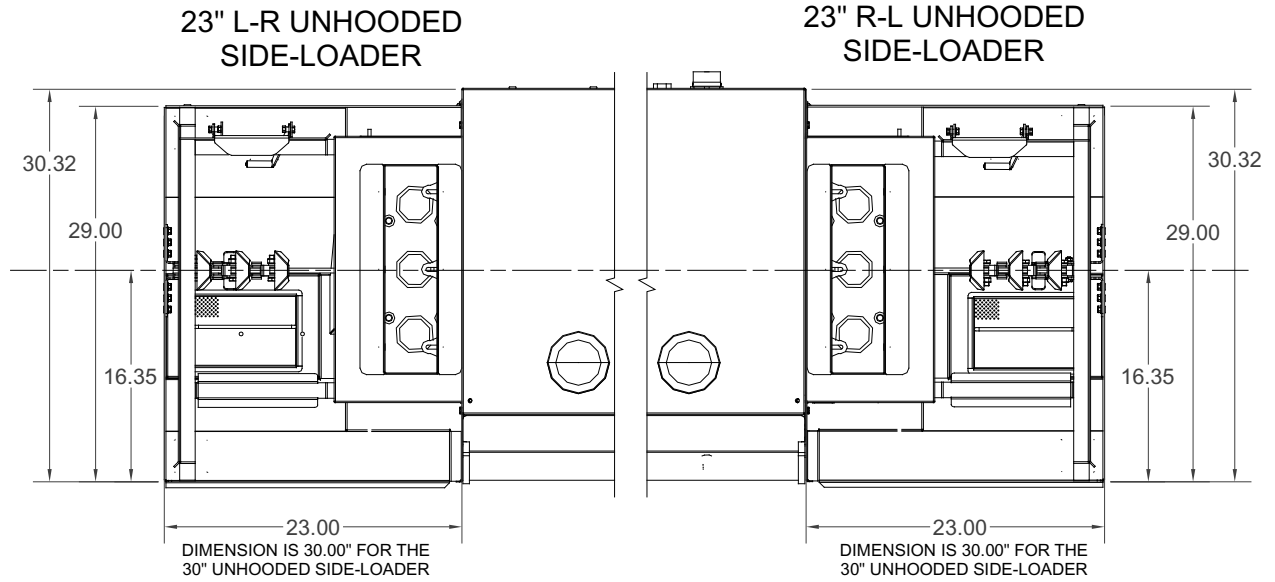
NOTE 3:
THE DRIVE ASSEMBLY AND GUARD MAY BE INSTALLED ON EITHER END OF THE UNIT. INSTALLATION ON THE UNLOAD END IS STANDARD. IF INSTALLED ON THE LOAD END, PLEASE ENSURE ANY SCRAP SINKS IN THE TABLING ARE AT AN ADEQUATE DISTANCE TO PROVIDE FOR CLEARANCE OF THE DRIVE ASSEMBLY.

NOTE 4:
ALL DIMENSIONS FROM THE FLOOR CAN BE INCREASED 1 3/4" USING THE MACHINE'S ADJUSTABLE FEET.

- *Applies to steam heated units
- ** Chemical sanitizing units only
- *** Pre-wash cold water thermostat option only

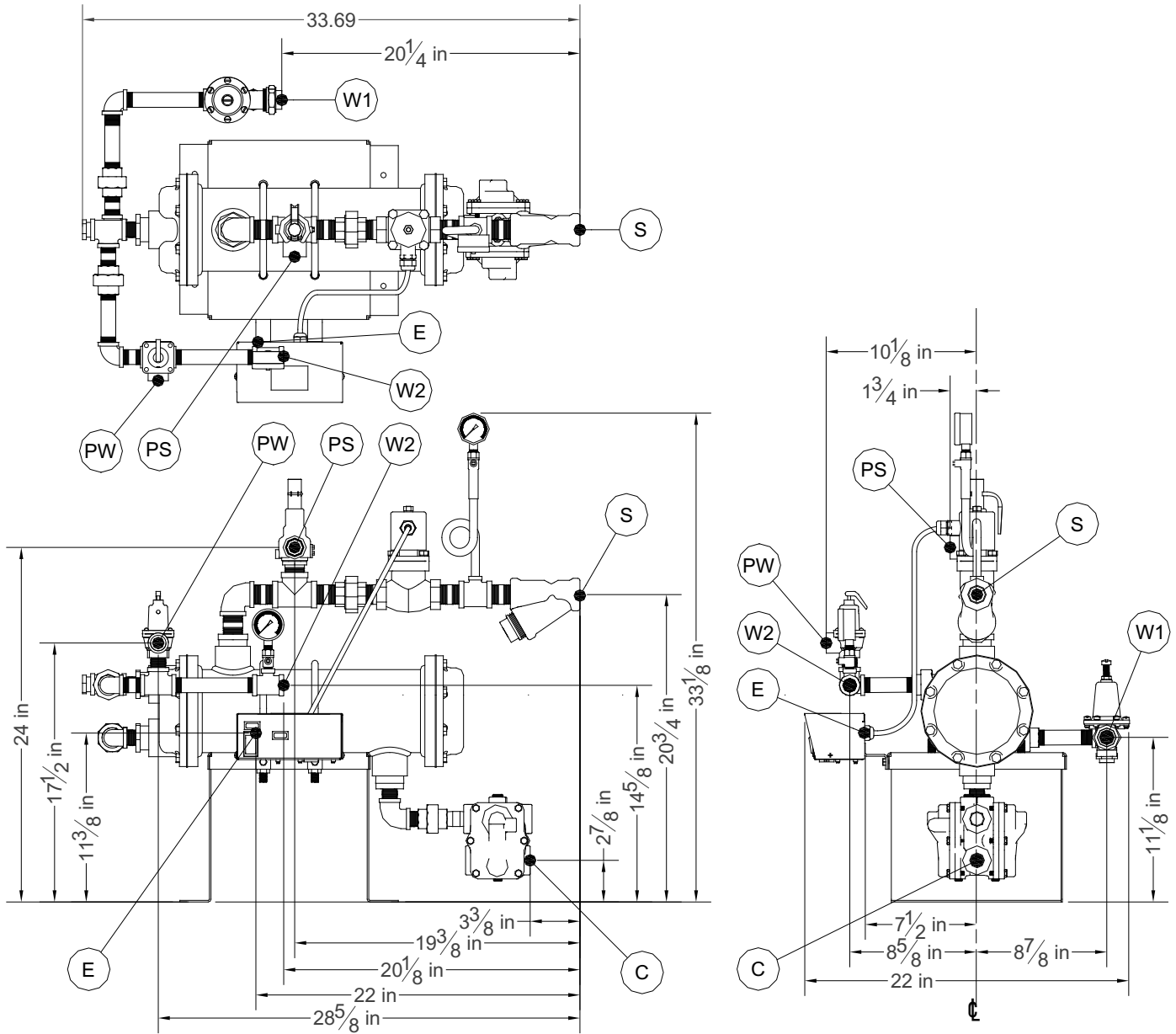
E1	MAIN ELECTRICAL CONNECTION (1.375" DIA HOLE)
E2	BOOSTER HEATER ELECT. CONNECTION (1.375" DIA)
W1	MAIN INLET WATER CONNECTION (1/2 NPT-F)
W2	PRE-WASH INLET WATER CONN. (1/2 NPT-F)
W3***	PRE-WASH COLD WATER CONN. (1/2 NPT-F)
D1	DRAIN CONNECTION, WASH (1-1/2" NPT-F)
D2	DRAIN CONNECTION, PRE-WASH (1-1/2" NPT-F)
DET	DETERGENT BULKHEAD ACCESS (.875" DIA HOLE)

SAN**	SANITIZER INLET TO RINSE (1/8" NPT-F)
RA	RINSE AID CONNECTION TO RINSE (1/8" NPT-F)
CP	CONDUCTIVITY PROBE ACCESS (.875" DIA HOLE)
S*	STEAM TO WASH TUB HEATING COIL (3/4" NPT-F)
C*	CONDENSATE RETURN (3/4" NPT-F)
V1	VENTILATION DUCT CONN. (LOAD END) 4" x 16" ID
V2	VENTILATION DUCT CONN. (UNLOAD END) 4" x 16" ID



STEAM BOOSTER HEATER DIMENSIONS

SPECIFICATIONS



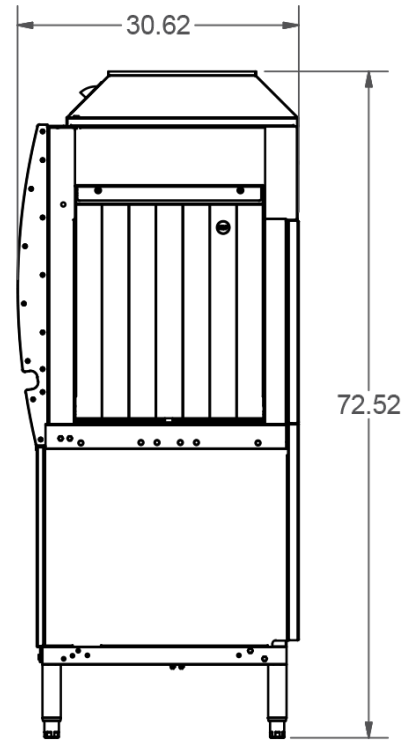
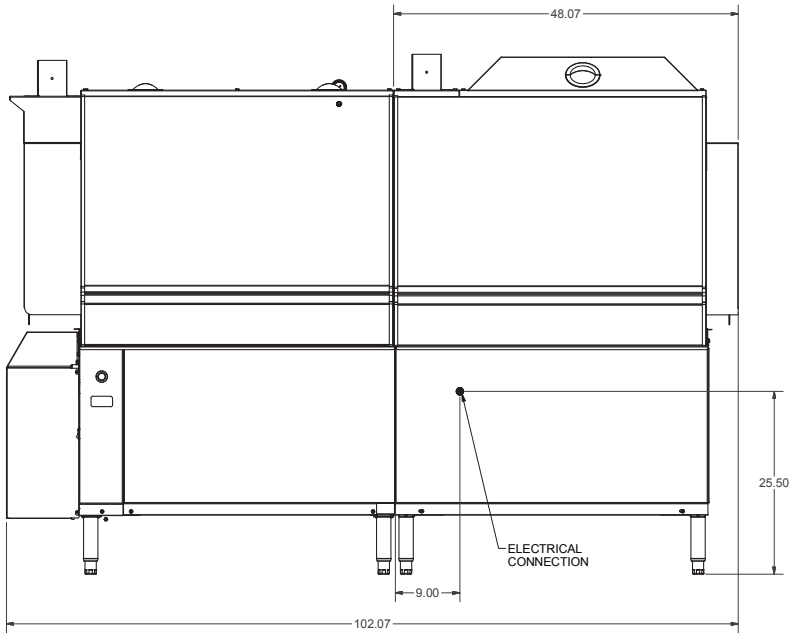
E	MAIN ELECTRICAL CONNECTION (7/8" DIA HOLE)
W1	MAIN INLET WATER CONNECTION (3/4" NPT-F)
W2	WATER OUTLET CONNECTION (3/4" NPT-F)
PW	WATER PRESSURE RELIEF OUTLET (3/4" NPT-F)

PS	STEAM PRESSURE RELIEF OUTLET (1" NPT-F)
S	STEAM SUPPLY TO BOOSTER (1" NPT-F)
C	STEAM CONDENSATE CONNECTION (3/4" NPT-F)

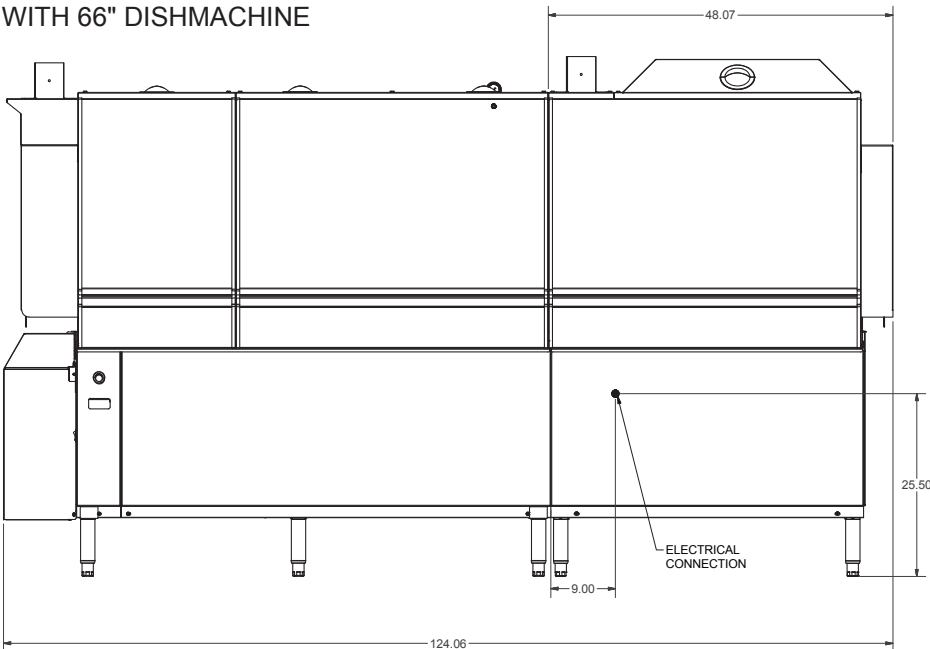
SPECIFICATIONS

BLOWER/DRYER OPTION DIMENSIONS

WITH 44" DISHMACHINE



WITH 66" DISHMACHINE



Machine Dimensions:

Height	72.5"
Width	48"
Depth	30.625"

Wall Clearance:

Height	5'
Width	19.75"
Width	21"

Shipping Weight: 750lbs.

Shipping Size:

Length	77"
Depth	41"
Height	89"

Model Designation:	44"	66"	44" STEAM	66" STEAM
Operating Capacity:				
Racks per Hour	218	218	218	218
Dishes per Hour	3488	3488	3488	3488
Glasses per Hour	7848	7848	7848	7848
Tank Capacity (Gallons):				
Wash Tank	35.6	35.6	35.6	35.6
Pre-Wash Tank	N/A	15.8	N/A	15.8
Electrical Loads (as applicable):				
Wash Motor HP	3.0	3.0	3.0	3.0
Drive Motor HP	0.25	0.25	0.25	0.25
Pre-Wash Motor HP	N/A	2.0	N/A	2.0
Wash Heater kW	15 or 18	18	N/A	N/A

NOTICE NOTE: Always refer to the machine data plate for specific electrical and water requirements. The material provided on this page is for reference only and may change without notice.





All electrical ratings provided in this manual are for reference only. Always refer to the machine data plate to get the exact electrical information for this machine. **All electrical work performed on machines should be done in accordance with applicable local, state, territorial, and national codes.** Work should only be performed by qualified electricians and authorized service agents. A list of authorized Service Agencies is located in the back of this manual.

Note that all electrical wiring used in the dishmachine must be rated, at a minimum, for 212 °F (100 °C), and that only copper conductors must be used.

Where applicable, heating element amperage draws have been adjusted for the assumed input voltage. The manufacturer assumes incoming voltages will be either 208, 230, or 460 Volts. Some of the heating elements used in our machines are actually rated for other voltages, such as 240 or 480 Volts. Always verify the amperage draw of the machine in operation when sizing circuit protection.

If the machine is equipped with the optional rinse heater, note the rinse heater has its own electrical connection and therefore requires a separate service. Amperage loads for motors and heaters are called out on the machine data plate for the installation/service technician.

The electrical configurations of the machines are as follows:

Available Electrical Characteristics:

- 208 V, 60 Hz, Single-phase
- 230 V, 60 Hz, Single-phase
- 208 V, 60 Hz, Three-phase
- 230 V, 60 Hz, Three-phase
- 460 V, 60 Hz, Three-phase

Available Wash Tank Heaters:

- 15 kW (standard for CREW 44)
- 18 kW (optional for CREW 44, standard for CREW 66)

Available Electrical Characteristics:

- None (standard)
- 12 kW (40 °F rise in temperature)
- 18 kW (70 °F rise in temperature)



44" with 15 kW Wash Heater

Volts	Phase	Freq	Wash Motor Amps	Drive Motor Amps	Wash Heater Amps	Total Load
208	1	60	10.0	1.8	72.1	83.9
230	1	60	10.0	1.8	*59.9	71.7
240	1	60	10.0	1.8	62.5	74.3
208	3	60	8.6	1.1	41.6	51.3
230	3	60	8.4	1.1	*34.6	44.1
240	3	60	8.4	1.1	36.1	45.6
460	3	60	4.2	0.6	**17.3	22.1
480	3	60	4.2	0.6	18.1	22.9

44" with 18 kW Wash Heater

Volts	Phase	Freq	Wash Motor Amps	Drive Motor Amps	Wash Heater Amps	Total Load
208	1	60	10.0	1.8	86.5	98.3
230	1	60	10.0	1.8	*71.9	83.7
240	1	60	10.0	1.8	75.0	86.8
208	3	60	8.6	1.1	50.0	59.7
230	3	60	8.4	1.1	*41.5	51.0
240	3	60	8.4	1.1	43.4	52.9
460	3	60	4.2	0.6	**20.8	25.6
480	3	60	4.2	0.6	21.7	26.5

* Denotes 240 volt heating elements that have been down-rated when 230 volts is applied.

** Denotes 480 volt heating elements that have been down-rated when 460 volts is applied.

44" Steam

Volts	Phase	Freq	Wash Motor Amps	Drive Motor Amps	Total Load
208	1	60	10.0	1.8	11.8
230	1	60	10.0	1.8	11.8
208	3	60	8.6	1.1	9.7
230	3	60	8.4	1.1	9.5
460	3	60	4.2	0.6	4.8



66" with 18 kW Wash Heater

Volts	Phase	Freq	Pre-Wash Motor Amps	Wash Motor Amps	Drive Motor Amps	Wash Heater Amps	Total Load
208	1	60	10.2	10.0	1.8	86.5	108.5
230	1	60	9.4	10.0	1.8	*71.9	93.1
240	1	60	9.4	10.0	1.8	75.0	96.2
208	3	60	6.8	8.6	1.1	50.0	66.5
230	3	60	6.4	8.4	1.1	*41.5	57.47
240	3	60	6.4	8.4	1.1	43.4	59.3
460	3	60	3.2	4.2	0.6	**20.8	28.8
480	3	60	3.2	4.2	0.6	21.7	29.7

* Denotes 240 volt heating elements that have been down-rated when 230 volts is applied.

** Denotes 480 volt heating elements that have been down-rated when 460 volts is applied.

66" Steam

Volts	Phase	Freq	Pre-Wash Motor Amps	Wash Motor Amps	Drive Motor Amps	Total Load
208	1	60	10.2	10.0	1.8	22.0
230	1	60	9.4	10.0	1.8	21.2
208	3	60	6.8	8.6	1.1	16.5
230	3	60	6.4	8.4	1.1	15.9
460	3	60	3.2	4.2	0.6	8.0

40 °F Rise – 12 kW Booster

Volts	Phase	Freq	Rinse Heater Amps
208	1	60	57.7
230	1	60	47.9
208	3	60	33.3
230	3	60	27.7
460	3	60	13.8

70 °F Rise – 18 kW Booster

Volts	Phase	Freq	Rinse Heater Amps
208	1	60	82.7
230	1	60	71.9
208	3	60	47.7
230	3	60	41.5
460	3	60	20.7

Note: On the 208 volt machines, the rinse heater is actually rated at 17.2 kW.

Blower/Dryer

Volts	Phase	Freq	Amps
208	3	60	32.2
230	3	60	22.9
460	3	60	13.4

VISUAL INSPECTION

Do not throw away the container if damage is evident!

Before installing the unit, check the packaging and the machine for damage. Damaged packaging might be an indication there is possible damage to the product. If there is any type of damage to both the packaging and the unit, **DO NOT THROW AWAY THE PACKAGING**. The dishmachine has been previously inspected at the factory and is expected to arrive in new, undamaged condition. However, rough handling by carriers or others might result in damage to the unit while it is in transit. If this occurs, **DO NOT RETURN THE UNIT TO THE MANUFACTURER**. Instead, contact the carrier and ask them to send a representative to the site to inspect the damage and request that an inspection report be completed. Contact the carrier and dealer that sold you the unit within 48 hours of receiving the machine in order to report possible freight damage.

UNPACKING THE MACHINE

The machine should be unboxed and removed from the pallet before installing. Remove the wooden lift beams and their associated brackets after the unit has been positioned. Open the front door and remove all materials from inside. Once unpacked, verify there are no missing parts. If a part is missing, contact the manufacturer immediately.

LEVEL THE DISHMACHINE

The dishmachine is designed to operate while level. This is important to prevent any damage to the machine during operation and to ensure the best possible results. The unit comes equipped with adjustable bullet feet, which can be turned using a pair of pliers. Verify the unit is level from front-to-back and side-to-side before making any electrical or plumbing connections.

PLUMBING THE DISHMACHINE

*The plumber **MUST** flush the incoming water line!*

All plumbing connections must be made to adhere to local, state, territorial, and national codes. The installing plumber is responsible for ensuring the incoming water lines are flushed of debris before connecting to the machine. Note that chips and materials from cutting processes can become lodged in the solenoid valves and prevent them from opening or closing. Any valves that are found to be fouled or defective because of foreign matter left in the water line and any subsequent water damage are not the responsibility of the manufacturer.

Water hardness should be a maximum of 6 GPG. Hard water should be treated before being used by the machine. Iron in the water line can cause staining. A filter designed to remove iron from the water supply is highly recommended for supplies in excess of 0.1 ppm.

This dishmachine comes with a pressure regulator. The unit utilizes a flow pressure of 15 PSI for the incoming water line. Do not confuse static pressure with flow pressure. Static pressure occurs when there is no flow and the valves are closed. Flow pressure occurs when water is running into the machine. The pressure regulator should be adjusted to the proper flow pressure indicated on the data plate.

The water supply line must be 1/2" NPT minimum and must be able to provide water at the minimum temperature indicated on the machine data plate.

A shut-off valve should be installed to allow isolating the dishmachine from the water system in the event service is required. It is also suggested that a shock absorber (**not supplied** with dishmachine) be installed on the incoming water line. This prevents water hammer (hydraulic shock)—induced by the solenoid valve as it operates—from causing damage to the equipment.



CONNECTING THE DRAIN LINE

The drain for the unit is a gravity discharge drain. All piping to the machine drain must be a minimum 1-1/2" NPT AND MUST NOT BE REDUCED. There must also be an air gap between the machine drain line and the floor sink or drain. If a grease trap is required by code, it should have a flow capacity of 5 GPM. 44" units have one drain connection point and 66" units have two.

STEAM LINE CONNECTIONS



Some machines covered in this manual are designed to use low-pressure steam as a source of heat for the wash tank. Those machines come with lines by which an outside source of steam (e.g. steam booster) is connected. Connect all steam lines from the booster to the machine in accordance with the booster manufacturer's instructions. Ensure that all applicable codes and regulations are adhered to. See the machine data plate for information related to steam flow requirements.

ELECTRICAL POWER CONNECTIONS



Disconnect electrical power at the breaker or disconnect switch and tag-out in accordance with procedures and codes.

All electrical connections are to be made in accordance with applicable portions of local, state, territorial, and national codes.

This manual provides reference information regarding electrical requirements and loads, but that information may change without notice. Always refer to the machine data plate for voltage requirements, machine voltage, total amperage load, and serial number. If a data plate has been damaged and cannot be read, contact the manufacturer.

The main power terminal blocks (for the dishmachine and for the rinse booster heater, if applicable) are located at the top of the machine. Remove the top cover to access these connections. Route incoming power lines within conduit that will connect via fittings to the pre-punched holes in the back of the control box. Install power and ground wires to lugs as indicated by the appropriate decals in the control box. Use copper conductors only. Use of an anti-oxidation agent is permissible on the power connections. Tighten all connections.

Verify the incoming voltage matches the voltage indicated on the decal next to the incoming power pre-punched hole.

NOTICE

NOTE: The dishmachine has a separate power connection from the rinse booster heater and the circuit protection requirements are different for each. Refer to the machine data plate for information on minimum circuit protection.



CAUTION: Improperly connecting external devices can cause damage to the machine and/or electrical infrastructure!

SEE PAGE 17 FOR A GUIDE ON WIRING EXTERNAL DEVICES (EXHAUST FAN, CHEMICAL DISPENSERS, ETC.)

DISHMACHINE VENTILATION

The dishmachine should be located with an adequate exhaust hood or ventilation system with provisions for venting. This is essential to permit efficient removal of the condensation exhaust. Ensure the exhaust system is acceptable in accordance with applicable codes and standards.

NOTICE NOTE: Any damage that is caused by steam and/or moisture due to improper ventilation is NOT covered under the warranty.

Dishmachine ventilation requirements:

- **Load End: 200 CFM**
- **Unload End: 200 CFM**

The exhaust system must be sized to handle this volume for the dishmachine to operate properly.

THERMOSTATS

The thermostats on this unit have been set at the factory for the wash tank and should only be adjusted by an authorized service agent.

CHEMICAL FEEDER EQUIPMENT



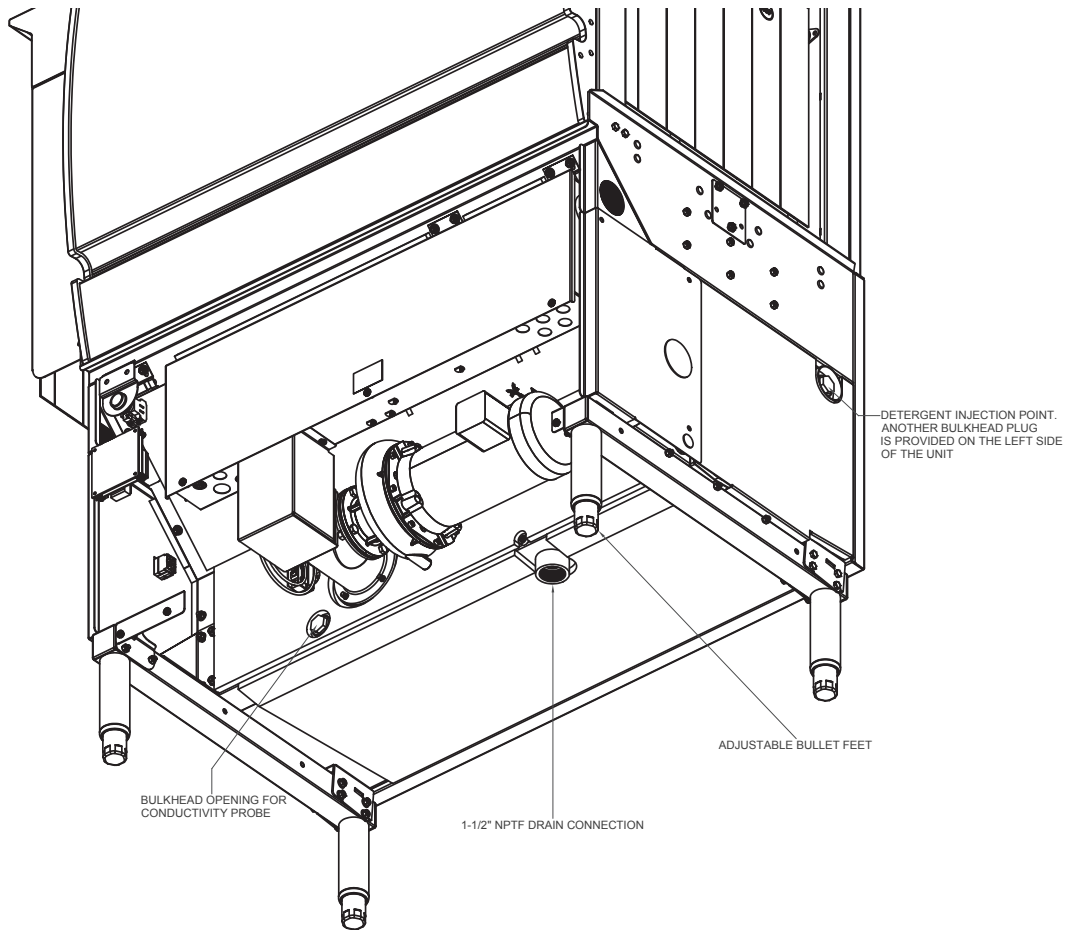
This dishmachine DOES NOT COME WITH AN INTEGRAL CHEMICAL SUPPLY/FEEDER SYSTEM. For the dishmachine to operate correctly, connect it to a third-party chemical dispenser that meets the requirements of NSF Standard 29.

Contact a chemical supplier about connecting a dispenser to the dishmachine. Chemical dispensers must be set for the type and concentration of chemicals being used.

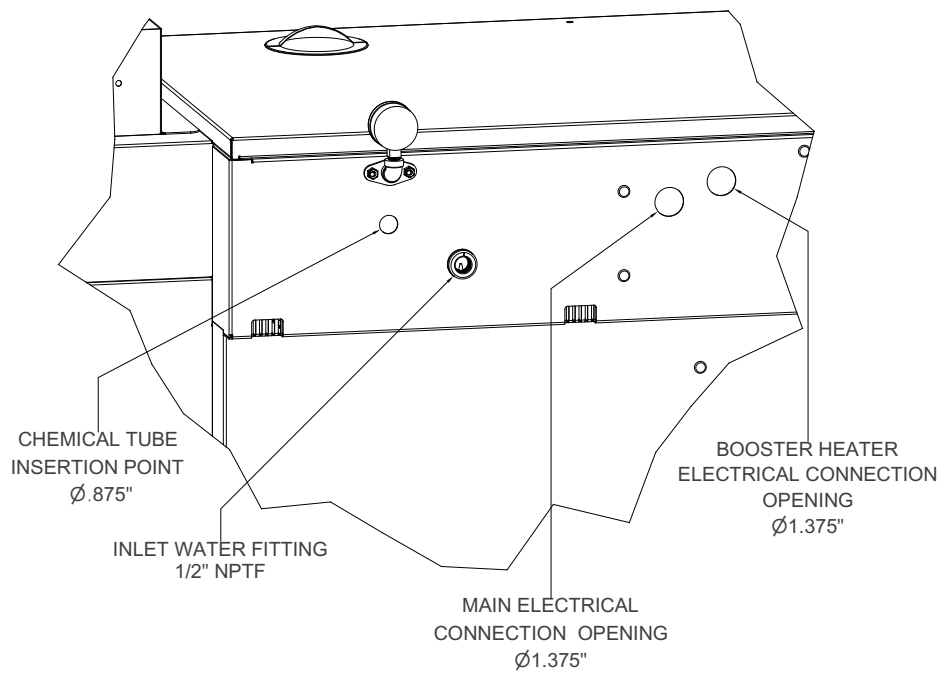
Detergent usage and water hardness are two factors that contribute greatly to how efficiently the dishmachine will operate. Using the proper amount of detergent can be a source of substantial savings. A qualified water treatment specialist can explain what is needed to gain the maximum efficiency from detergent.

The dishmachine can operate in either hot-water-sanitizing mode or chemical-sanitizing mode. The mode of the machine is marked above the machine's data plate.

If the unit is operated in chemical-sanitizing mode, ensure an appropriate chlorine-based sanitizer is used in the final rinse line.

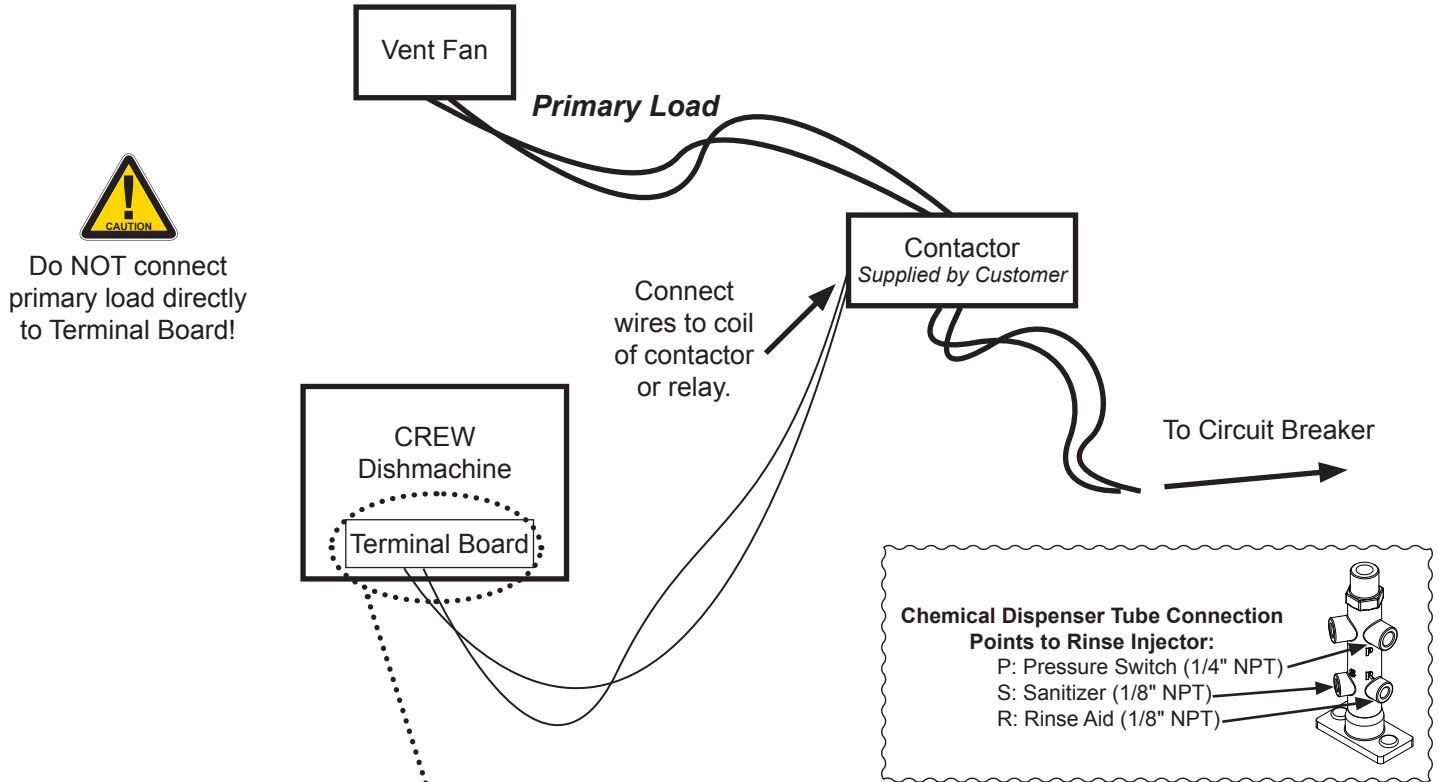


SHOWN FROM REAR OF **LEFT TO RIGHT** UNIT.
RIGHT TO LEFT UNIT IS MIRRORED

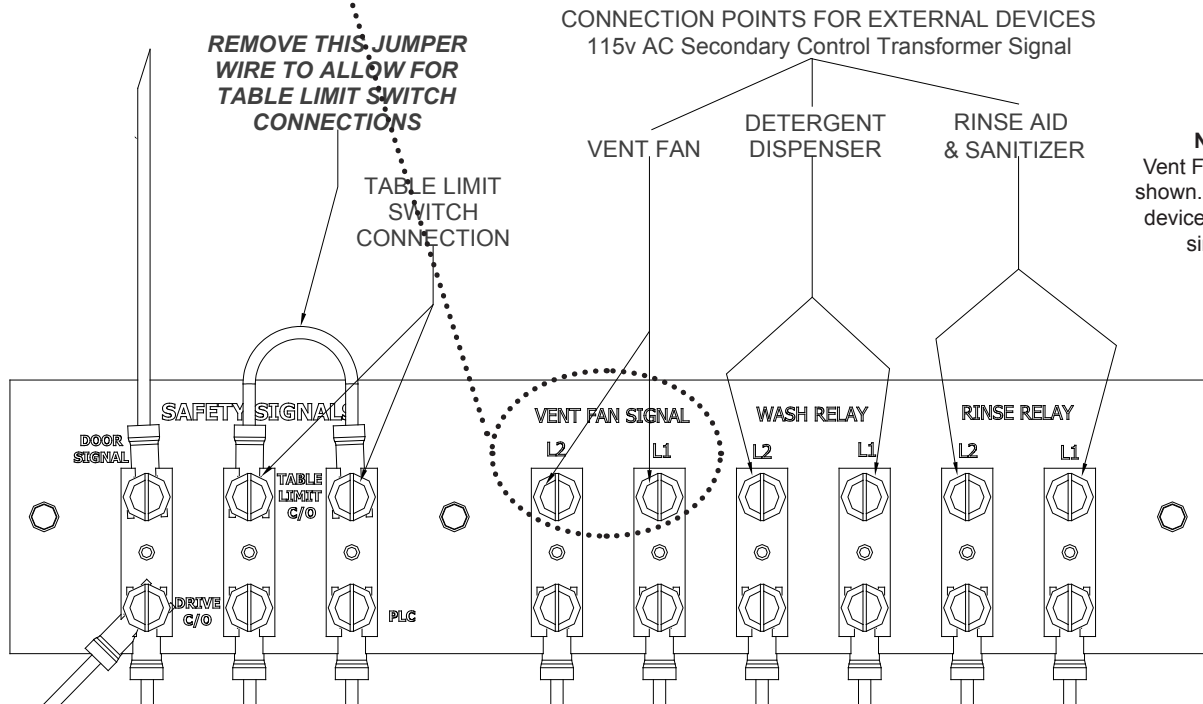


Electrical connection points for table limit switch, ventilation fan signal, and chemical dispensing systems. Signal board is located in the main control box behind the lower dress panel.

Wiring Diagram



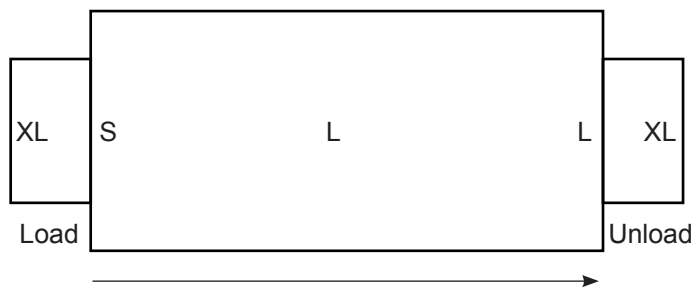
Terminal Board



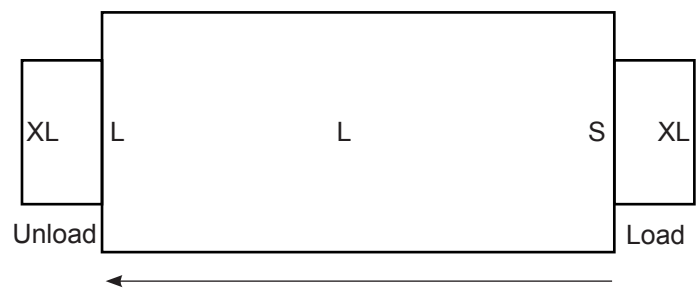
The unit has decals marking the curtain locations inside the machine, starting at the load end and ending at the unload end. The illustrations below indicate the size of the curtain to be placed on the curtain hooks provided. If any curtain components are missing, these must be obtained and installed before operation.

DETERMINING CONVEYER DIRECTION: The dishmachine will be configured for either Left-to-Right or Right-to-Left operation. Direction is from the load end to the unload end, as shown below.

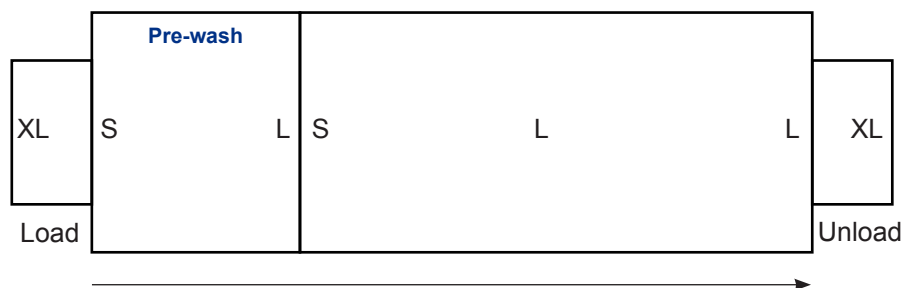
44" Left-to-Right



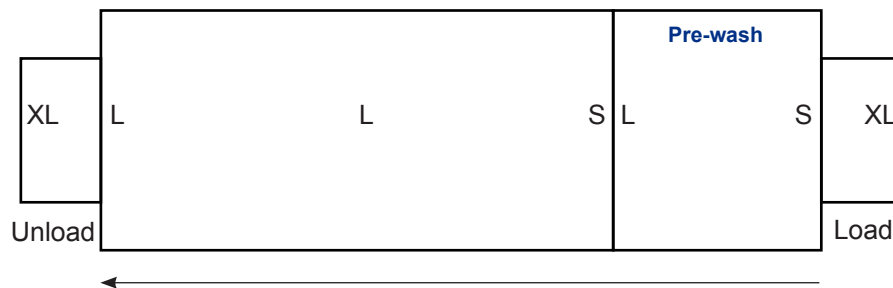
44" Right-to-Left



66" Left-to-Right



66" Right-to-Left



IMPORTANCE OF PROPER CURTAIN PLACEMENT: The curtains inside the dishmachine must be installed properly for the machine to operate correctly. Curtains are used to control air currents inside the unit and assist in maintaining the heat necessary to keep energy costs down. Note the approximate locations for each type of curtain in the above illustrations.

S = Short, L = Long, and XL = Extra Long. See the chart below for actual curtain lengths and part numbers. Note the different part numbers for the curtain and curtain rod for the load end when a side-loader option is present.

Legend	Length	Part #	Side-Loader Option	Part #
S	12"	08415-131-73-44		
L	19"	08415-002-14-41		
XL	24.25"	08415-002-47-37	XL (Load End Only)	08415-003-84-88
Curtain Rod	20.50"	05700-003-77-52	Curtain Rod (Load End Only)	05700-003-84-57



- This kit should only be installed by qualified service personnel to reduce the risk of electric shock, serious injury, or fire. A plumbing permit and the services of a licensed plumber and electrician might be required in some areas.
- Turn off the power supply and place the dishwasher disconnect (if applicable) in the off position. Lockout/tag-out to prevent the power supply from being turned back on accidentally.
- Failure to install this kit within the guidelines might adversely affect safety, performance, component life, and warranty coverage.
- Do NOT pull power for the Drain Quench Assembly from the machine! 120V facility power only!

Tools Required

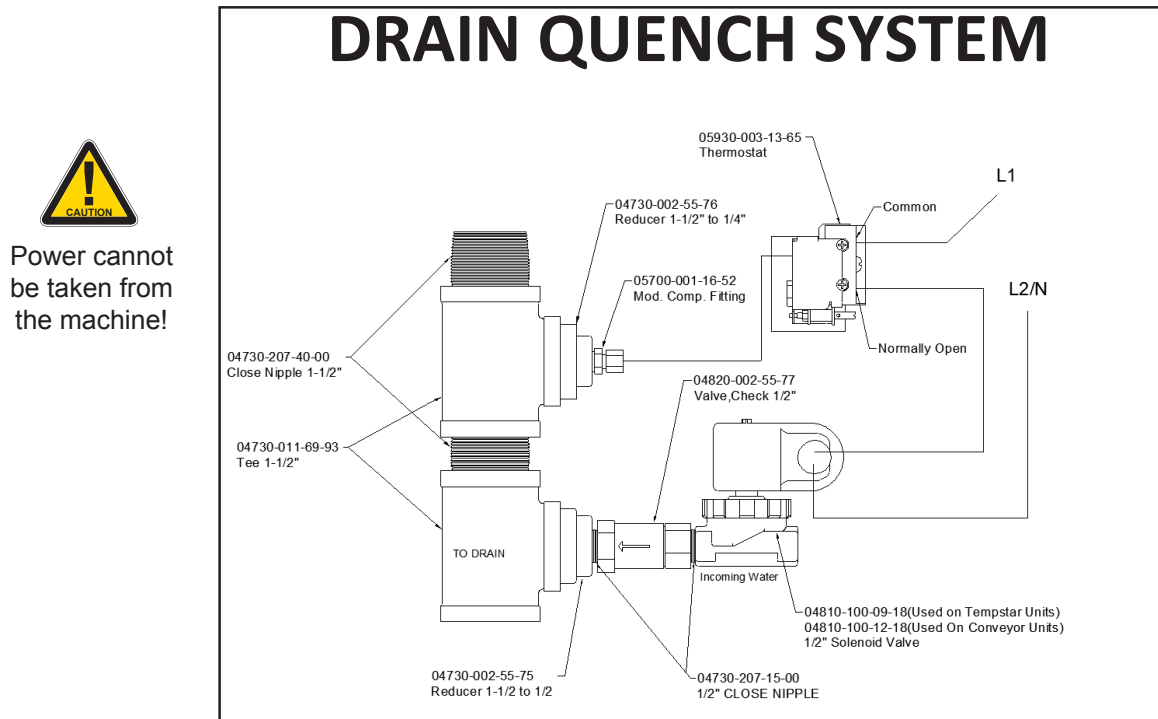
- Pipe Wrench
- Adjustable Wrench
- 5/16" Nut Driver
- 3/8" Nut Driver or Wrench
- Phillips Screwdriver
- Pipe Thread Sealant Tape or "Pipe Dope"
- Needle-nose Pliers

Instructions

1. Connect Drain Quench Assembly to the machine drain via 1.5" NPT street elbow (04730-206-32-00).
2. Orient assembly as shown below:



3. Connect user-supplied 115V cord (from facility power) into solenoid box as shown below:



4. Connect cold water to inlet side of solenoid valve.
5. Secure all electrical (ensure connection is to 120V facility power) and plumbing connections.
6. Restore water and power to the machine and verify drain quench performance.

**IF THERE ARE ANY ISSUES AFTER INSTALLATION, PLEASE CONTACT
TECHNICAL SERVICE AT 1-888-800-5672.**

PREPARATION Before operating the unit, verify the following:

- The drain stopper is installed.
- The strainers are installed.
- The pawl bar is installed and secure.
- The actuator switches move with relative freedom and do not bind.
- The curtains are installed correctly.

POWER UP To place the unit in standby, press the START button on the front of the machine.



- The unit will automatically determine if there is proper water level in the wash tank. If not, the unit will begin to fill until the appropriate level is reached.
- If the wash tank temperature is not at the minimum level for the mode of operation, the wash heater will energize. Refer to the machine data plate for a better understanding of the minimum temperatures needed to operate the unit correctly. It might take several minutes for the wash tank to heat up, depending on the initial temperature of the water.
- If the machine is equipped with a rinse booster option, the booster will turn on when the unit turns on.
- If the machine is heated with a steam booster, the steam booster must be turned on in accordance with the manufacturer's instructions.
- Do not attempt to start the unit until:
 1. The unit stops filling.
 2. The unit has reached the appropriate wash tank temperature.

FIRST RACK The first rack of ware that is placed in the unit will typically reduce the temperature of the wash tank, and the first rack might need to run through the unit again. This process may be necessary any time the unit has not been operated for an extended period of time, although this is dependent on the type of ware being used, its temperature, and the ambient temperature of the kitchen area. To ensure proper operation, always observe the temperatures of the wash and rinse when first starting the unit.

WARE PREPARATION Proper preparation of ware is essential for the smooth, efficient operation of this dishmachine.

Any ware placed in the unit should have all solid food waste and scraps removed. Ware should also be sprayed-down before entering the dishmachine.

Place cups and glasses upside-down in racks so they do not hold water during the cycle. Presoak flatware in warm water to assist in removing food. Load plates and saucers in the same direction, with the food surface facing the unload end of the machine.

WASHING A RACK OF WARE This dishmachine is designed to wash ware that is placed in a rack. Materials should not be placed in the unit unless they are properly secured in a dish rack.

To start the cycle, gently push the rack into the unit on the load end. Once the wash actuator has moved sufficiently, the unit will automatically begin to convey the dish rack through the unit. The entire cycle is automatic.

OPERATIONAL INSPECTION

Operators should periodically review the following items while the machine is operating. These items are important for operating the machine in an efficient manner.

- Review wash and rinse temperatures and compare to the minimums on the data plate.
- Verify the pan strainers are not becoming clogged. Keeping these free of soil and debris allows for much better flow of water through the machine and prevents any sort of redeposit issues.
- Water pressure: The dishmachine is designed to run at a minimum of 15 PSI; if it is any lower there will not be enough rinse water to properly remove detergent from the ware.
- Wash and rinse arm nozzles should be free of debris. Open nozzles are essential to the operation of the dishmachine.

SHUTDOWN

To shut the unit down, press the START button on the front of the machine. To drain the machine, move the drain valve to the drain position. If the machine is equipped with a steam booster, shut it down in accordance with its manufacturer's instructions.

CLEANING

Clean the unit at least once every 24 hours or at the end of the day. Cleaning assists in maintaining the efficient operation of the unit by removing soil and debris that might otherwise become trapped in nozzles or deposited onto ware.

Do NOT clean the unit with any type of metallic scrubbing sponge!

- Curtains should be removed and scrubbed with mild detergent and a brush and allowed to air-dry.
- Strainers should be removed and debris scooped out. Do not hit strainers to remove debris; this can cause them to warp and not seat correctly. Rinsing the strainer under water should remove the rest of any debris trapped in the part.
- Wash arms can be removed using a 7/16" driver, however the dishmachine is designed so that the wash arms are self-cleaning. Operators have the ability to flush the arms by removing the plastic end-caps and running a rack through the unit. This should only be done as a cleaning function with an empty rack and a tub that is filled with water.
- The internal chamber can be cleaned with a mild detergent and dishrag. The strainers and pawl bar should be removed to provide as much room as possible.
- The outside of the unit should be cleaned with a standard countertop or general cleaner. Do not attempt to clean inside any compartments, boxes, or chambers that are secured with a cover. These normally contain live electrical components.

To proceed with the delime operation, fill the dishmachine with the amount of delime solution recommended by the chemical supplier. The tank capacities of the machine can be found in the Specifications section of this manual.

After the chemicals are added, perform the following steps:

1. Flip the NORMAL/DELIME switch to DELIME.
2. Disconnect or turn off chemical feeder pumps.
3. Close all doors.
4. Press the START button and run the machine for the length of time required by the chemical supplier.
5. Press the START button to shut the unit off.
6. Open the door and step away for 5 minutes.
7. Inspect the inside of the unit to determine if expectations have been met. If not, try running the delime solution through the unit for more time.
8. Once clean, drain the machine completely.
9. Close the door.
10. Refill the unit.
11. Press the START button and run the unit in Manual for 10 minutes.
12. Press the START button to turn off the unit.
13. Open the front door.
14. Drain the unit.
15. Flip the NORMAL/DELIME switch to NORMAL.
16. The machine is ready to use.

This equipment is not recommended for use with deionized water or other aggressive fluids. Use of deionized water or other aggressive fluids will result in corrosion and failure of materials and components. Use of deionized water or other aggressive fluids will void the manufacturer's warranty.

PLC TROUBLESHOOTING: Green LED lights are illuminated on the PLC when in operation. The POWER, OK, and RUN lights indicate that 24VDC power is available to the PLC and that it is functioning properly. If the RUN light is out, first check that the RUN toggle switch located behind the snap cover panel of the PLC is in the RUN position.

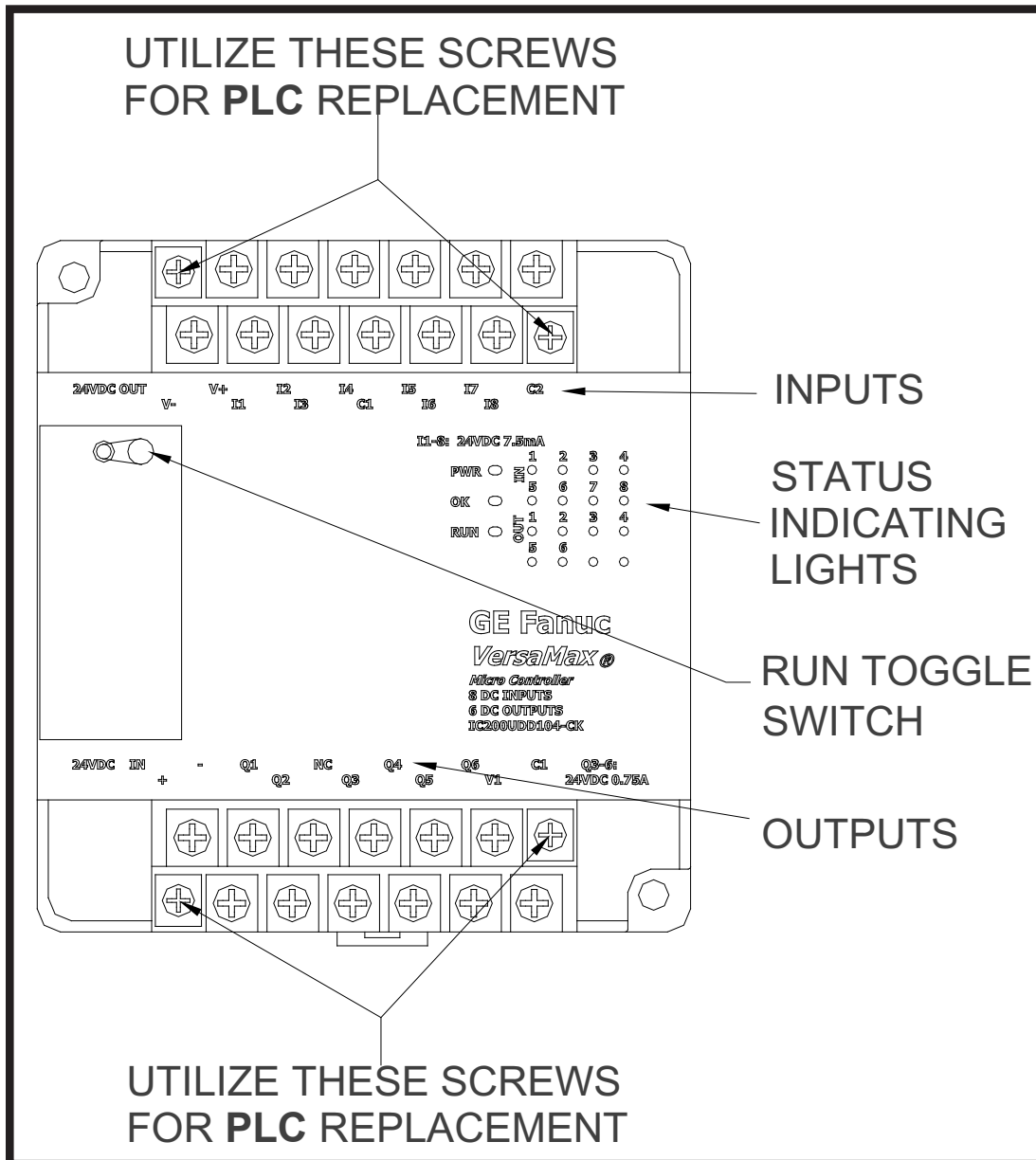
If the switch is in the RUN position, it is possible that the operational program of the PLC is corrupted or lost. Temporary power surges might have occurred. Secure all power to the machine, wait for 30 seconds, and restore power. Verify that the green light is illuminated to the

24VDC power supply immediately to the left of the PLC. If the RUN light is still off, replace the PLC.

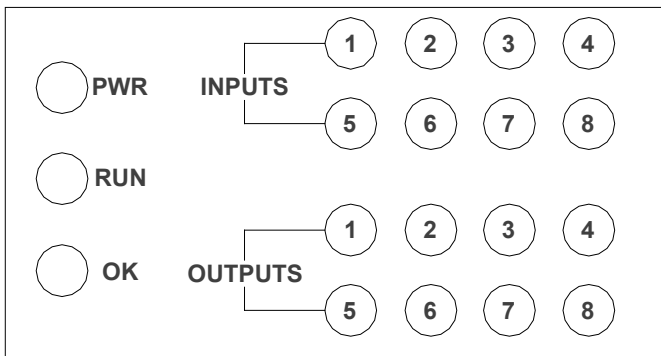
Refer to the illustration below for the designation of each LED. PLC1 is used for the 44" Electric and Steam units. An expansion PLC (PLC2) is used in conjunction with PLC1 for 66" Electric and Steam units. Inputs correspond to the connections behind the top flip-up panel of the PLC and are marked I1 through I8. Outputs correspond to the connections behind the bottom flip-up panel of the PLC and are marked Q1 through Q8.

NOTICE

NOTE: All outputs are fused. Q1 and Q2 outputs for both PLCs utilize 1.0 A fuses and Q3-Q8 outputs utilize 0.75 A fuses. When illuminated, the LED lights on the front of each PLC will show the input from, and the outputs to, various components as illustrated here. LEDs that illuminate on PLC2 that are marked "NOT USED" have no bearing on the operation of the current warewashers.



**PLC1
LIGHT CONFIGURATION**



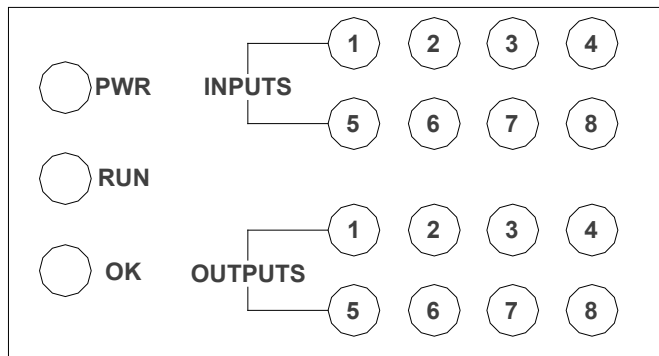
INPUTS:

1. On/Off Switch
2. Door Switch Safety Interlocks
3. Rack Inlet Switch
4. Final Rinse Switch
5. Lower Wash Float Switch
6. Upper Wash Float Switch
7. Manual/Delime Switch
8. Side-Loader Switch (on with no rack present)

OUTPUTS:

1. Rinse Solenoid/Rinse Signal Relay
2. Wash Tank Fill Solenoid
3. Drive Motor Contactor
4. Wash Motor Contactor
5. Wash Heater Contactor or Steam Heat Relay
6. Ventilation Fan Relay
7. N/A
8. N/A

**PLC2
LIGHT CONFIGURATION**



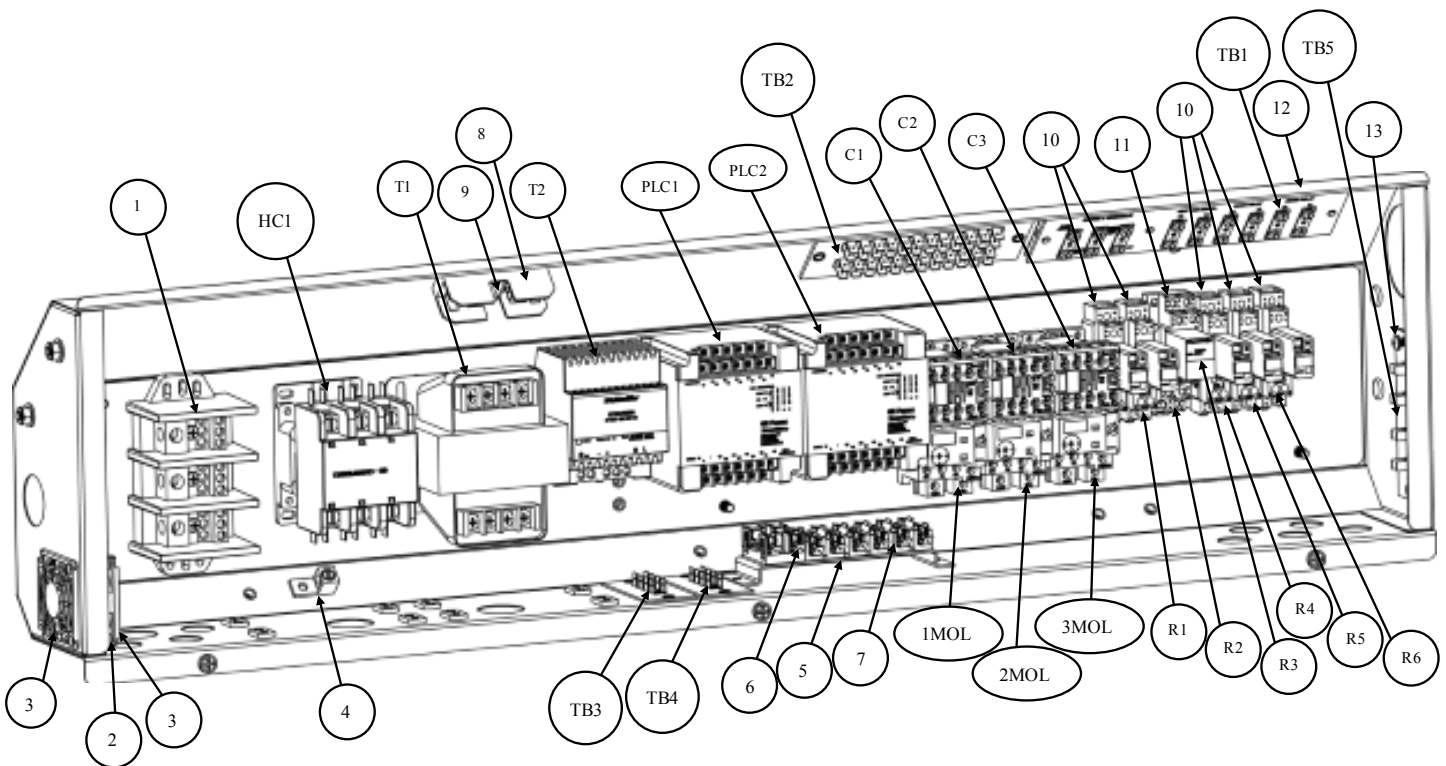
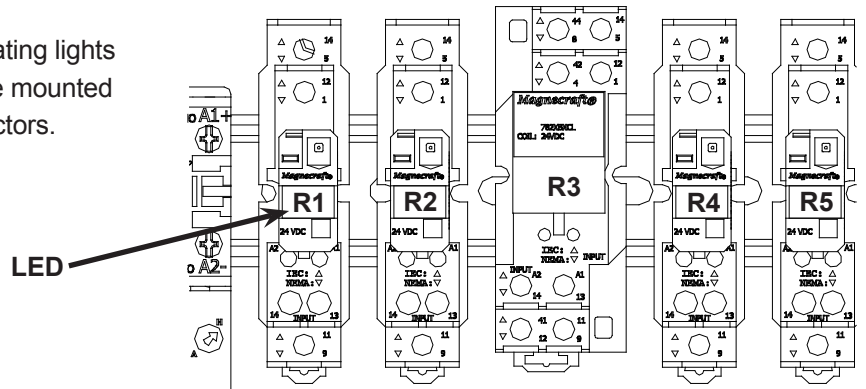
INPUTS:

1. Lower Pre-Wash Float Switch (66 Units Only)
2. Upper Pre-Wash Float Switch (66 Units Only)
3. N/A
4. N/A
5. N/A
6. N/A
7. N/A
8. N/A

OUTPUTS:

1. Pre-Wash Tank Fill Solenoid (66 Units Only)
2. Pre-Wash Motor Contactor (66 Units Only)
3. N/A
4. N/A
5. N/A
6. N/A
7. N/A
8. N/A

All operational relays use green LED-indicating lights to verify proper operation. These relays are mounted immediately to the right of the motor contactors. Please refer to the illustration at right.



The illustration above depicts the components of a 66" electrically-heated unit with the booster heater option. Component quantities and part numbers might vary for different units. Please refer to the notes within the parts list on the next page to verify that the required part number is correct.

ITEM	QTY	DESCRIPTION	PART NUMBER
PLC1	1	PLC, 24VDC (Programmed for 44" Units) (Programmed for 44" Units with Blower/Dryer)	05945-003-92-50 05945-004-10-84
T1	1	Transformer 208 to 120VAC (208V Units) Transformer 230/460 to 120VAC	05950-011-75-59 05950-011-68-35
T2	1	Power Supply 24VDC	05950-003-76-32
PLC 1 & 2	1	(Programmed for 66" Units)	06401-004-13-59
PLC 1 & 2	1	(Programmed for 66" Units with Blower/Dryer)	06401-004-13-61

ITEM	QTY	DESCRIPTION	PART NUMBER
HC1	1	Contactactor, 24VDC, 3 Pole (Used on 3-Phase Units) Contactactor, 24VDC, 4 Pole (Used on 1-Phase Units)	05945-003-75-02 05945-003-73-22
C1	1	Contactactor, Drive Motor	05945-003-75-22
C2	1	Contactactor, Wash Pump	05945-003-75-22
C3	1	Contactactor, Pre-Wash Motor (66" Units Only)	05945-003-75-22
R1	1	Relay, Vent Fan	05945-003-76-34
R2	1	Relay, Rinse Signal	05945-003-76-34
R3	1	Relay, Temperature Board	05945-003-79-57
R4	1	Relay, Booster Heater (Optional)	05945-003-76-34
R5	1	Relay, Wash Tank Steam (Steam Units Only)	05945-003-76-34
R6	1	Relay, Photo Cell Table Limit (Optional)	05945-003-76-34
1MOL	1	Overload, Drive Motor (Used on 3-Phase Units)	See Overload Page
2MOL	1	Overload, Wash Motor (Used on 3-Phase Units)	See Overload Page
3MOL	1	Overload, Pre-Wash Motor (Used on 3-Phase 66" Units)	See Overload Page
TB1	1	Terminal Board, Signal	05940-003-77-43
TB2	1	Terminal Board, DC	05940-003-77-65
TB3	1	Terminal Board, L1	05940-021-94-85
TB4	1	Terminal Board, L2	05940-021-94-85
TB5	1	Terminal Board, Blower	05940-021-70-74
1	1	Terminal Block 3 Pole	05940-011-48-27
2	1	Fan, 24VDC	05999-002-47-12
3	2	Fan Finger Guard	05999-003-12-92
4	1	Ground Lug	05940-200-76-00
5	1	Bracket, Fuse Strip	05700-002-42-03
6	1	Fuse Holder	05920-401-03-14
7	1	Fuse Holder, 6 Slot	05920-002-42-13
8	1	Holder, Bussman Fuse	05920-011-72-89
9	1	Fuse, 1.0 Amp (208V & 230V Units) Fuse, 0.5 Amp (460V Units)	05920-002-67-23 05920-011-72-88
10	5	Relay Socket, 20A, 300V (Used for R1, R2, R4, R5 & R6)	05945-003-76-33
11	1	Relay Socket, 16A, 300V (Used for R3)	05945-003-79-58
12	1	Control Box Weldment (44" Units) Control Box Weldment (66" Units)	05700-003-82-04
13	2	Screw, 10-32 x 1/2" Phillips Pan Head w/Washer	05305-002-32-37

WASH MOTORS: Overloads are specified for 3-phase units only.

For GE brand MT03* series overloads, the process for setting is as follows:

- Determine the Full Load Amps for the wash motor.
- Set the overload at the closest setting without going over for the FLA of the motor.
- The overload already compensates for the FLA and will have a set point that is 125% of the FLA. (Example: Wash motor is rated at 10.0 FLA on the data plate. The replacement MT03* overload will be set at 10.0. It will trip at 12.5 Amps.)

WASH MOTOR VOLTAGE	PART NUMBER	GE PART NUMBER
208	05945-003-76-29	MT03N
230	05945-003-76-29	MT03N
460	05945-003-76-27	MT03L

Blue selector switch should be set to H for manual reset.

NOTICE

Imbalanced wild leg goes to L3.

DRIVE MOTORS: Overloads are specified for 3-phase units only.

For GE brand MT03* series overloads, the process for setting is as follows:

- Determine the Full Load Amps for the drive motor.
- Set the overload at the closest setting without going over for the FLA of the motor.
- The overload already compensates for the FLA and will have a set point that is 125% of the FLA. (Example: Drive motor is rated at 1.0 FLA on the data plate. The replacement MT03* overload will be set at 1.0. It will trip at 1.25 Amps.)

DRIVE MOTOR VOLTAGE	PART NUMBER	GE PART NUMBER
208	05945-003-76-23	MT03F
230	05945-003-76-23	MT03F
460	05945-003-76-21	MT03D

Blue selector switch should be set to H for manual reset.

PRE-WASH MOTORS: Overloads are specified for 3-phase units only.

For GE brand MT03* series overloads, the process for setting is as follows:

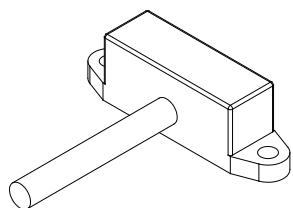
- Determine the Full Load Amps for the pre-wash motor.
- Set the overload at the closest setting without going over for the FLA of the motor.
- The overload already compensates for the FLA and will have a set point that is 125% of the FLA. (Example: Pre-wash motor is rated at 6.0 FLA on the data plate. The replacement MT03* overload will be set at 6.0. It will trip at 7.5 Amps.)

PRE-WASH MOTOR VOLTAGE	PART NUMBER	GE PART NUMBER
208	05945-003-76-28	MT03M
230	05945-003-76-28	MT03M
460	05945-003-76-26	MT03K

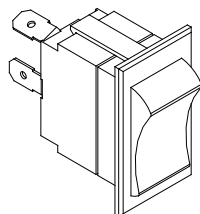
Blue selector switch should be set to H for manual reset.

NOTE: Connections should be tightened to 7 in.-lbs.

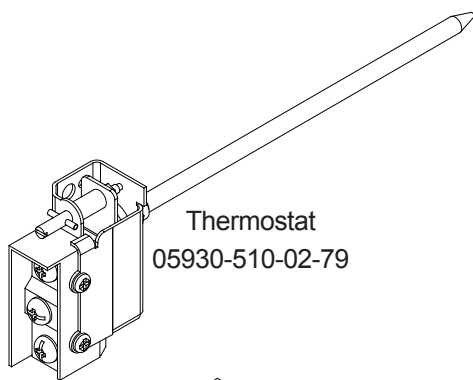
DESCRIPTION	PART NUMBER
Fitting, 1", 90 Degree Hub (2 per 44" Units; 1 per 66" Units)	05975-003-77-44
Fitting, 1" Straight Hub (1 per 66" Units)	05975-003-88-01
Fitting, 3/4" STR QT	05975-003-77-46
Fitting, 3/4" 90 Degree QT	05975-003-77-45
Fitting, 1/2" NPT 90 Degree	05975-003-35-32
Fitting, 1/2" NPT STR	05975-003-33-27
Fitting, .231 x .394	05975-011-49-03
Clamp, 1" Conduit	05975-003-77-88
Clamp, 3/4" Conduit	05975-003-77-89
Plug, 2.5" Hole, Louvered	05975-003-77-39
Plug	05975-011-47-81
Plug	05975-002-29-94
Plug	05340-044-46-79
Plug	05975-011-59-49
Bushing	05975-003-10-46
Grommet, 1.250 OD x 1.000 ID	05975-111-58-01
Grommet, 7/8" Split	05975-200-40-00



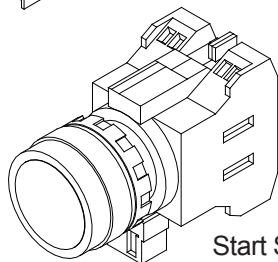
Proximity Switch 24VDC
05930-003-76-51



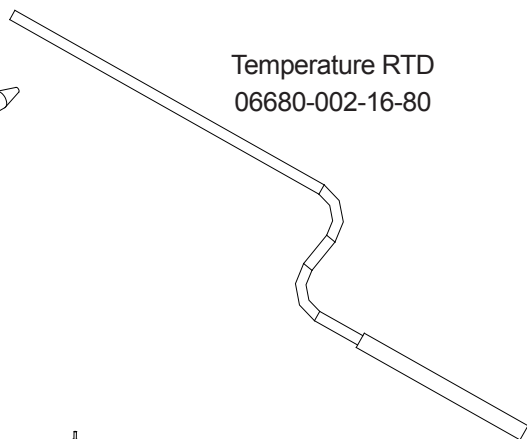
Delime Switch
05930-301-46-00



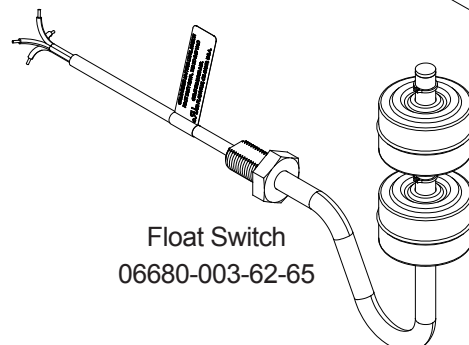
Thermostat
05930-510-02-79



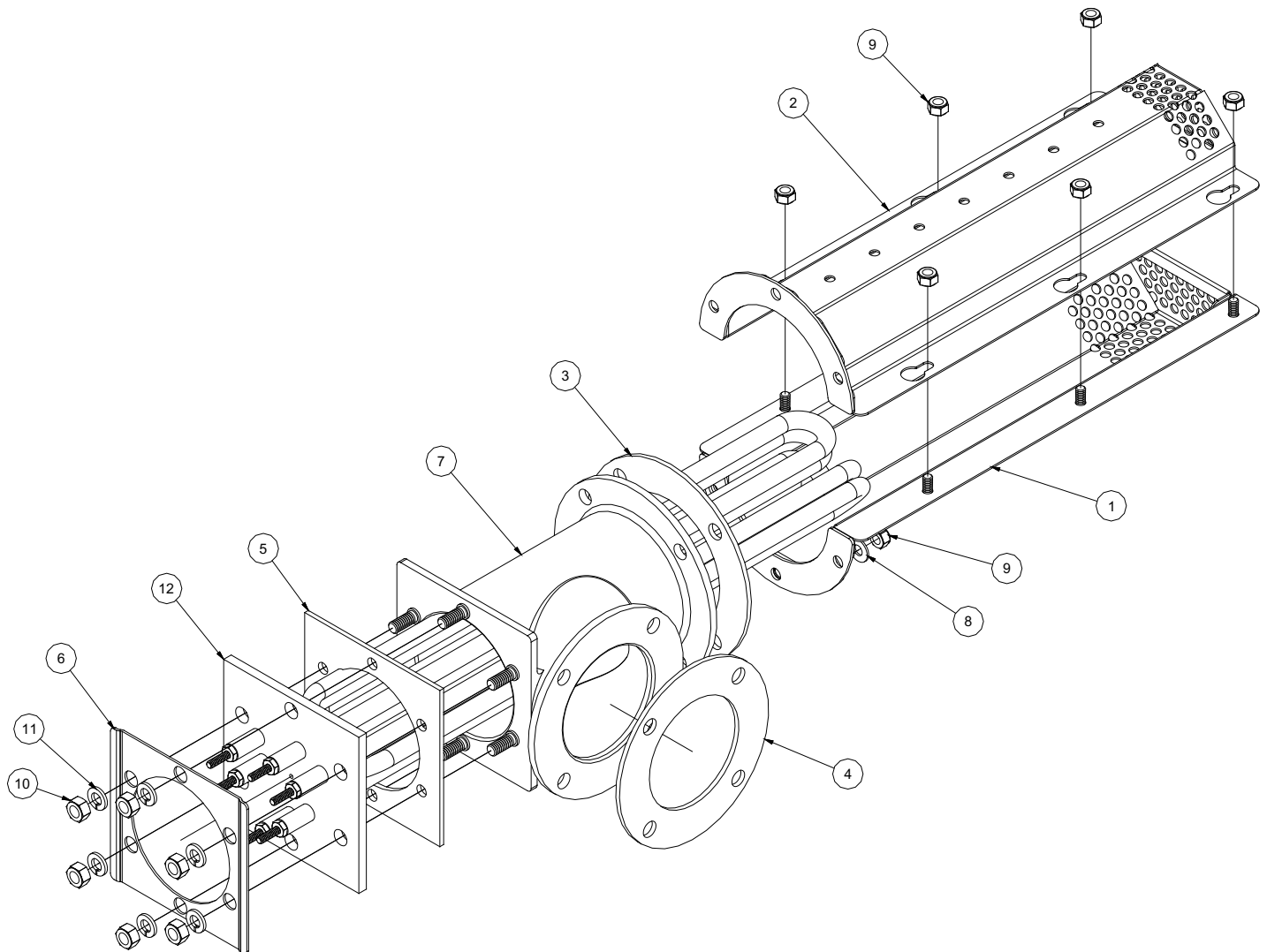
Start Switch
05930-003-76-52



Temperature RTD
06680-002-16-80

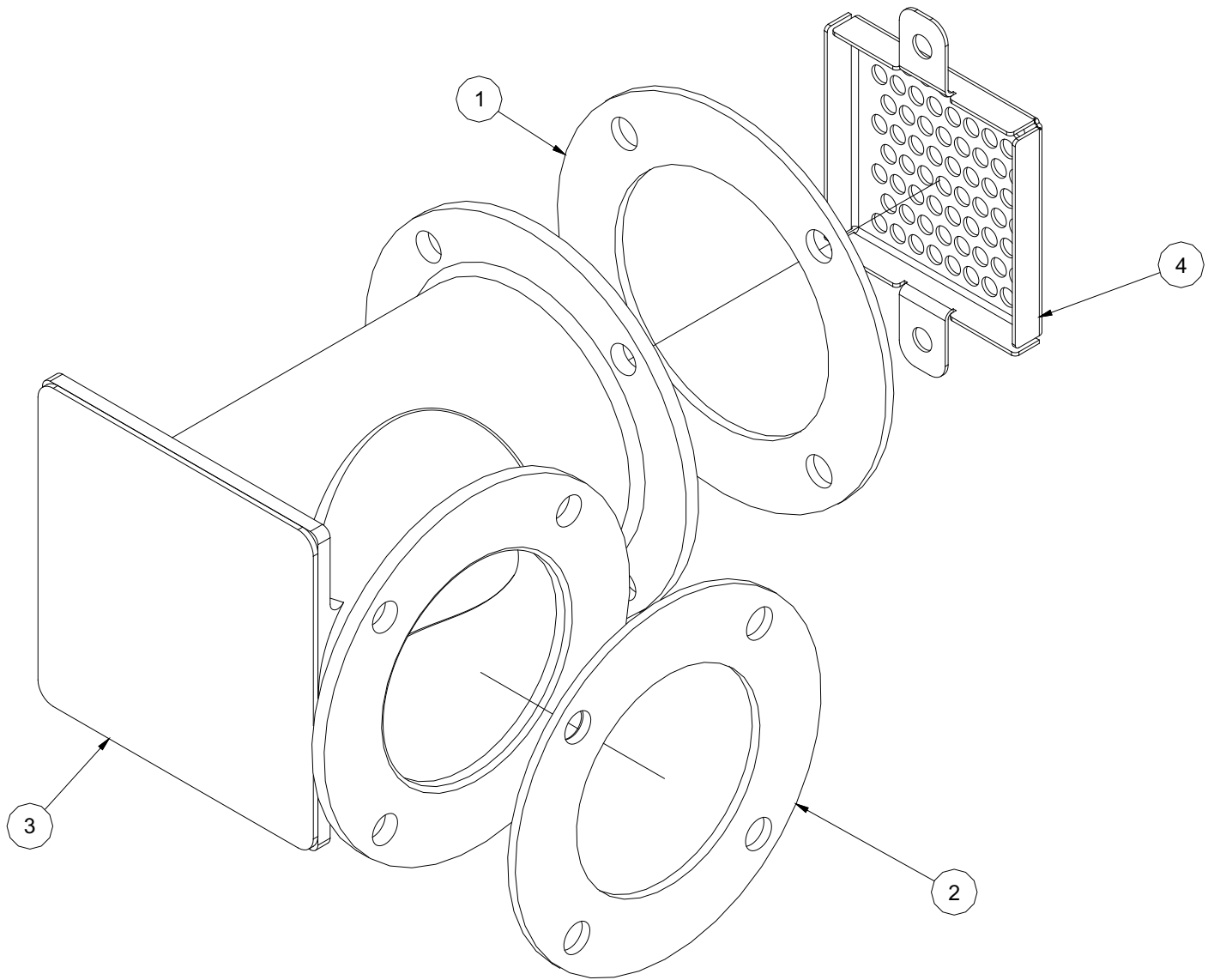


Float Switch
06680-003-62-65



ITEM	QTY	DESCRIPTION	PART NUMBER
1	1	Heater Shroud Weldment Lower	05700-003-74-21
2	1	Heater Shroud Weldment Upper	05700-003-74-24
3	1	Gasket, Suction Casting	05330-003-75-89
4	1	Gasket, Pump Suction	05330-003-75-87
5	1	Gasket, Heater	05330-200-02-70
6	1	Heater Box Rails	05700-003-74-72
7	1	Wash Pump Suction Weldment	05700-003-77-63
8	2	Washer, S/S	05311-174-01-00
9	9	Locknut, 1/4"-20 Hex w/Nylon Insert	05310-374-01-00
10	6	Nut, Hex 5/16"-18 S/S	05310-275-01-00
11	6	Lockwasher, 5/16" Split S/S	05311-275-01-00
12	1	Wash Heating Element, 15kW/18kW	See Heater Chart

**USED ON ALL PRE-WASH TANKS
AND ALL STEAM-HEATED TANKS**

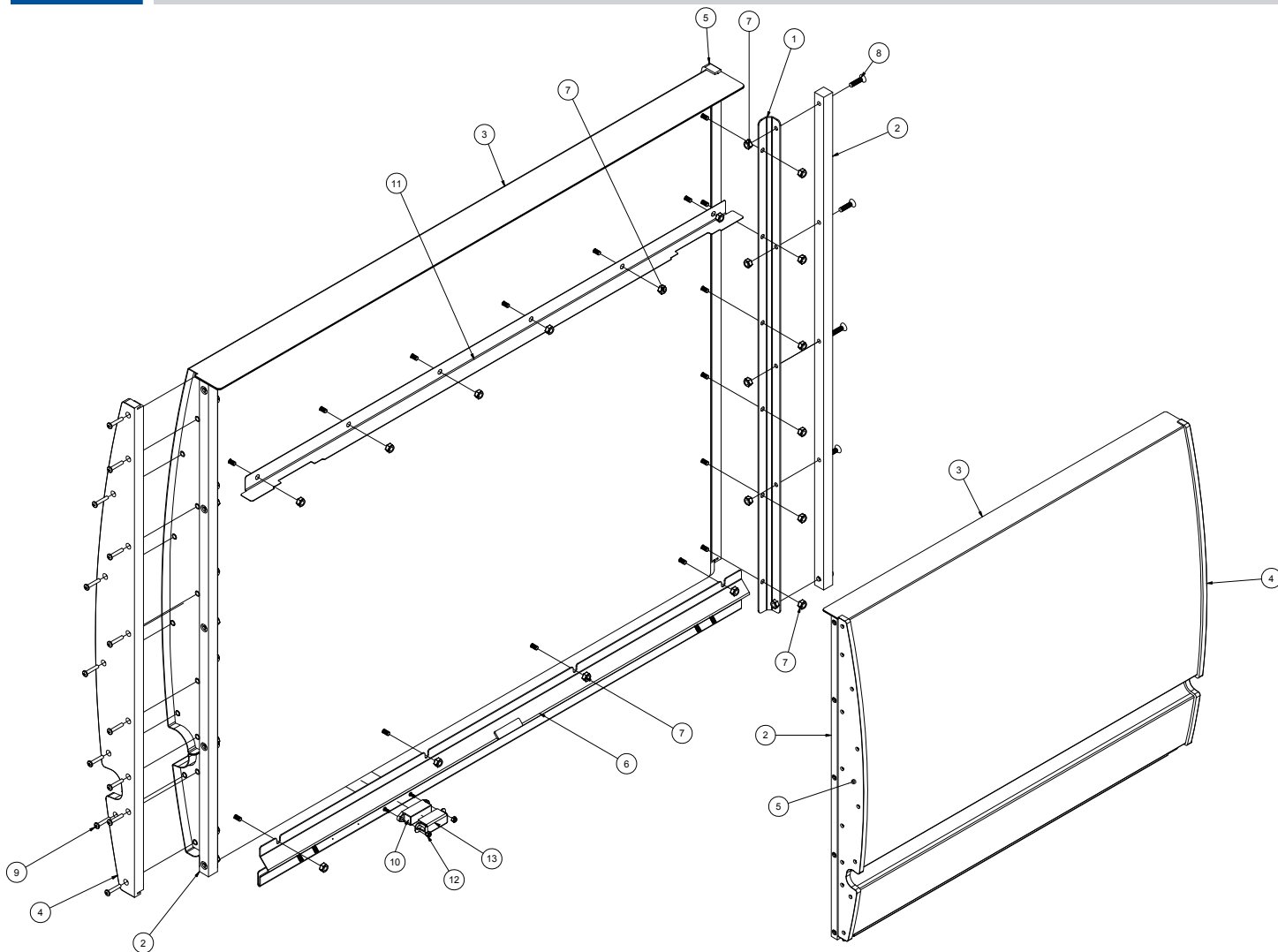


ITEM	QTY	DESCRIPTION	PART NUMBER
1	1	Gasket, Suction Casting	05330-003-75-89
2	1	Gasket, Pump Suction	05330-003-75-87
3	1	Pre-Wash Pump Suction Weldment	05700-003-82-27
4	1	Strainer, Pre-Wash Pump	05700-003-81-28

VOLTAGE	PHASE	KW	PART NUMBER	CONTACTOR
208	1	15	04540-121-68-45	05945-003-73-22
230	1	15	04540-121-68-46	05945-003-73-22
208	3	15	04540-121-68-45	05945-003-75-02
230	3	15	04540-121-68-46	05945-003-75-02
460	3	15	04540-121-68-47	05940-003-75-02
208	1	18	04540-121-79-30	05945-003-73-22
230	1	18	04540-121-79-31	05945-003-73-22
208	3	18	04540-121-79-30	05945-003-75-02
230	3	18	04540-121-79-31	05945-003-75-02
460	3	18	04540-121-79-32	05945-003-75-02

SERVICE NOTES: When replacing wash heaters it is highly recommended to change the gasket also. Once installed, gaskets become compressed and are subject to extreme temperature changes. Replacing the gasket with the heater may prevent future leaks.

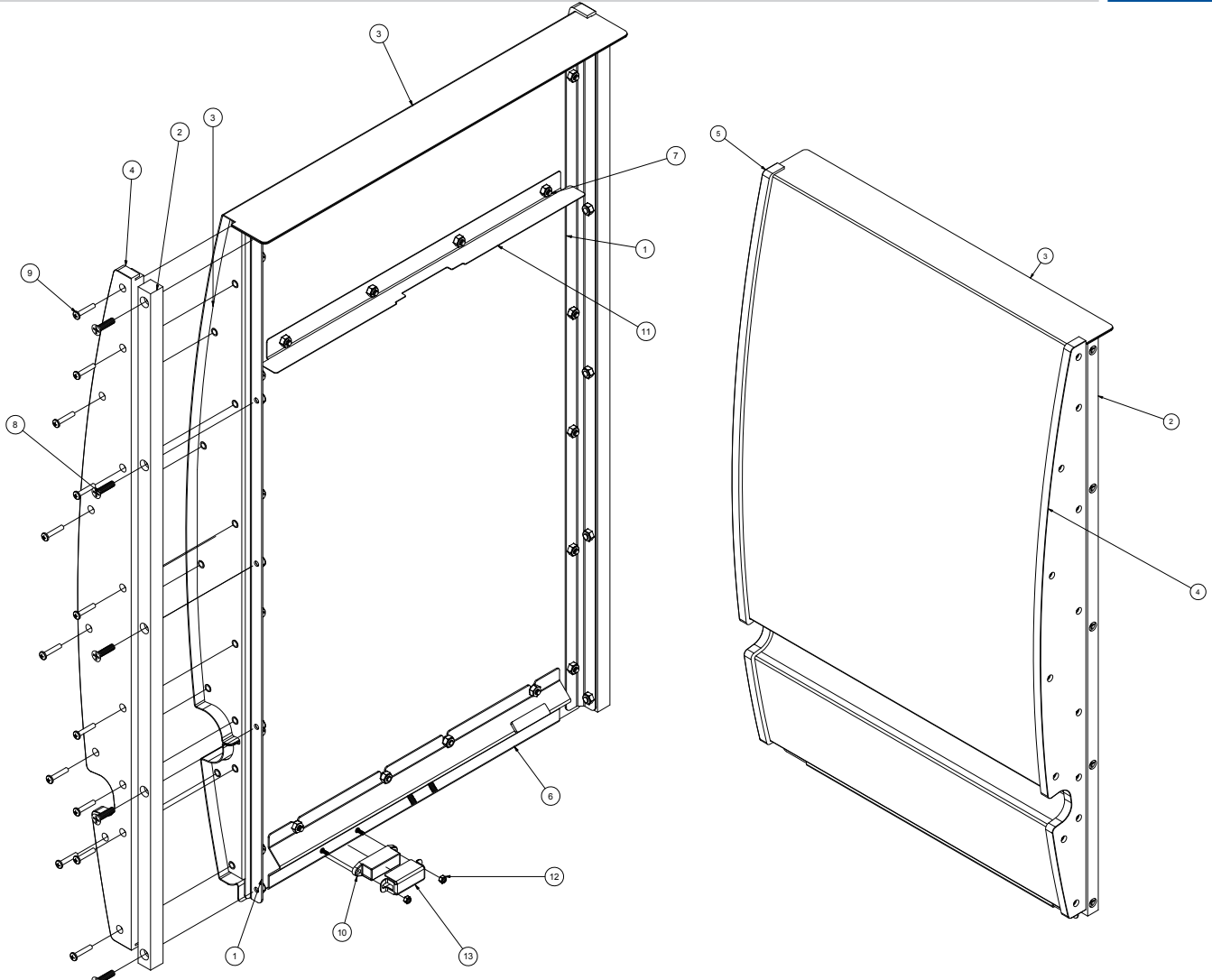
The nuts used to secure the heater to the casting should be torque to 16 in.-lbs. After tightening, the unit should be allowed to heat up and operate normally for approximately 30 minutes. Secure power to the machine and check the nuts once more to verify they are torque to 16 in.-lbs.



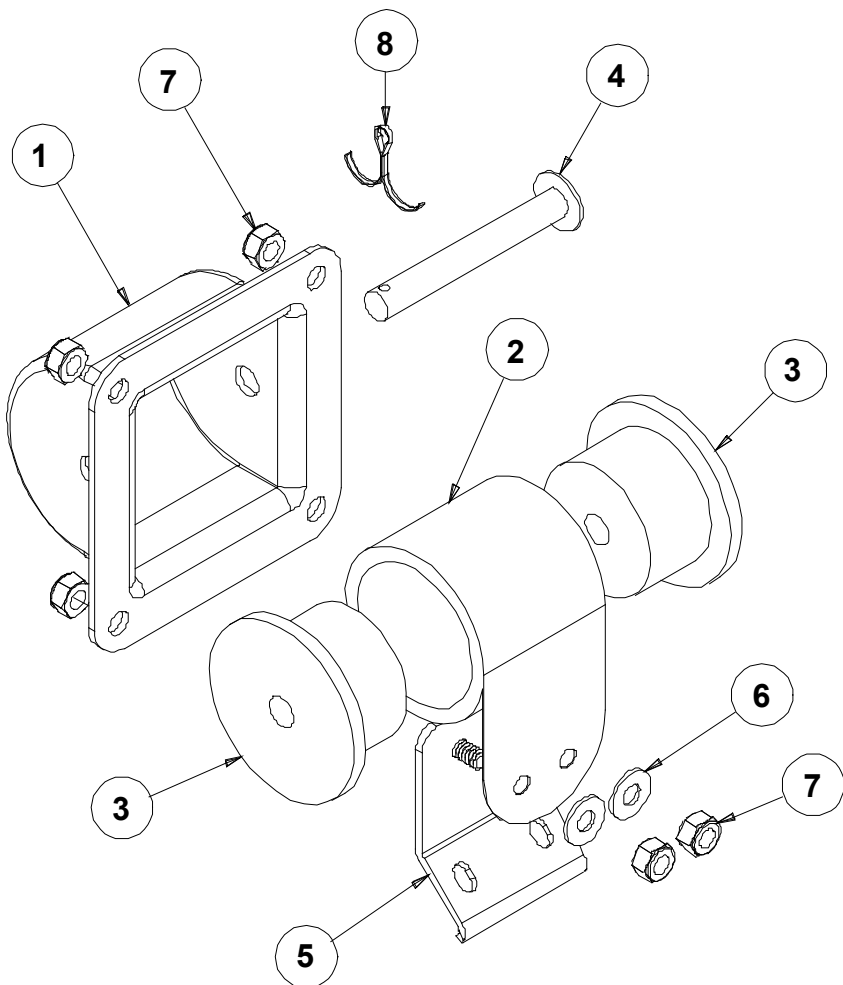
ITEM	QTY	DESCRIPTION	PART NUMBER
1	2	Bracket, Door Guide	05700-003-72-32
2	2	Door Guide	09330-003-73-94
3	1	Door Weldment, 44"	05700-003-76-87
4	1	End Piece, Door Right Side	09330-003-73-83
5	1	End Piece, Door Left Side	09330-003-73-84
6	1	Door Stop & Support Weldment	05700-003-72-51
7	32	Locknut, 1/4-20 Hex w/Nylon Insert	05310-374-01-00
8	10	Screw, 1/4-20 x 1"	05305-011-81-58
9	26	Screw, 10-32 x 1"	05305-002-19-42
10	1	Magnet	05930-002-88-42
11	1	Splash Shield, 44" Door	05700-003-81-86
12	2	Locknut, 6-32 Hex w/Nylon Insert	05310-373-03-00
13	1	Cover, Door Magnet	05700-004-07-38

22" PRE-WASH DOOR ASSEMBLY

PARTS

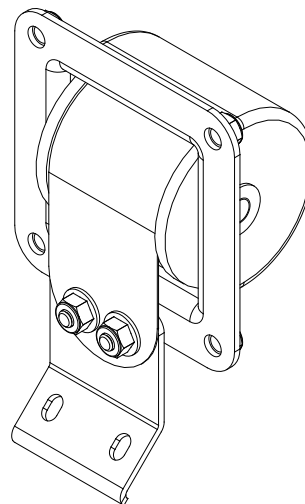


ITEM	QTY	DESCRIPTION	PART NUMBER
1	2	Bracket, Door Guide	05700-003-72-32
2	2	Door Guide	09330-003-73-94
3	1	Door Weldment, 22" Pre-Wash	05700-003-80-32
4	1	End Piece, Door Right Side	09330-003-73-83
5	1	End Piece, Door Left Side	09330-003-73-84
6	1	Door Stop & Support Weldment L-R	05700-003-82-50
7	30	Locknut, 1/4-20 Hex w/Nylon Insert	05310-374-01-00
8	10	Screw, 1/4-20 x 1"	05305-011-81-58
9	26	Screw, 10-32 x 1"	05305-002-19-42
10	1	Magnet	05930-002-88-42
11	1	Splash Shield, 22" Pre-Wash Door	05700-003-82-46
12	2	Locknut, 6-32 Hex w/Nylon Insert	05310-373-03-00
13	1	Cover, Door Magnet	05700-004-07-38

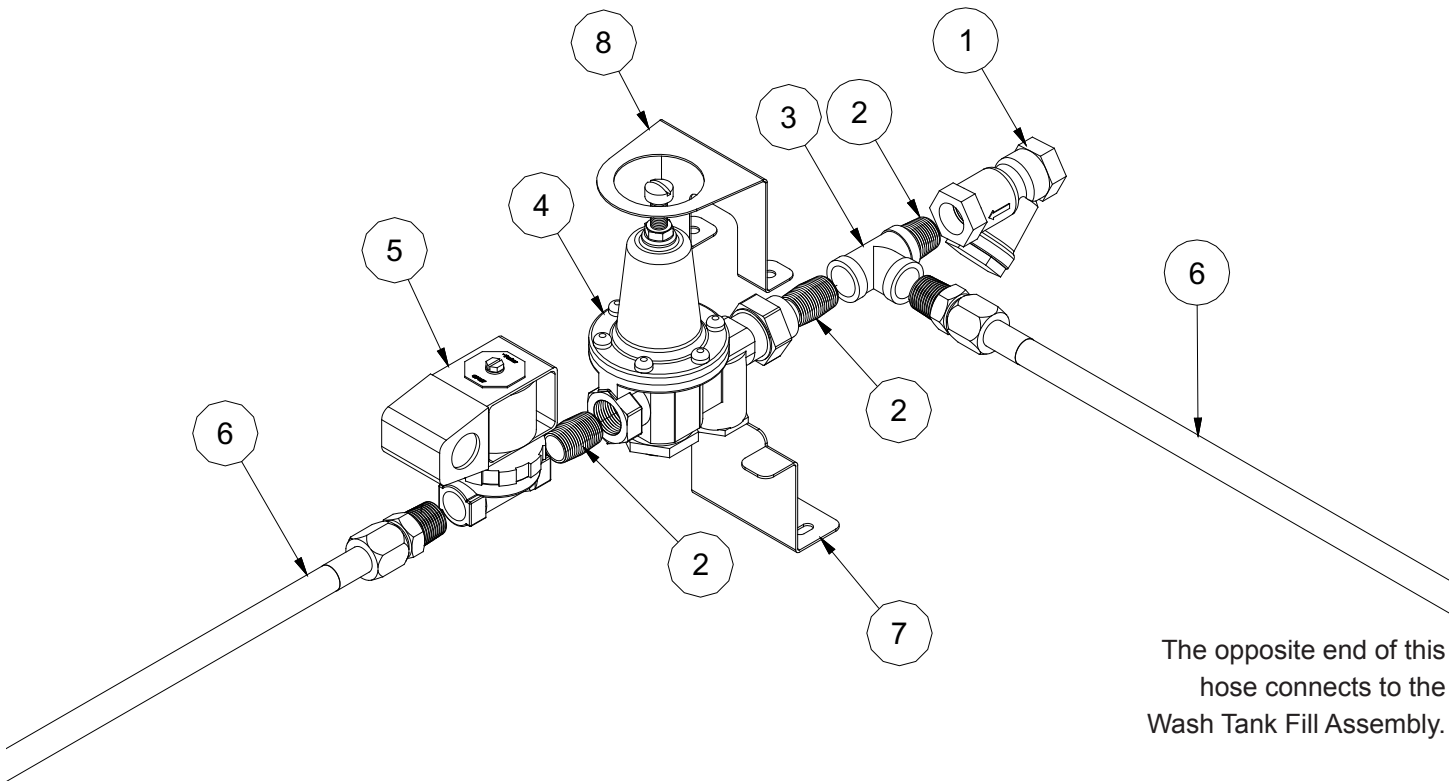


**DOOR SPRING ASSEMBLY
05700-003-77-49**

**44" Wash doors use 2 assemblies
22" Pre-Wash doors use 1 assembly**

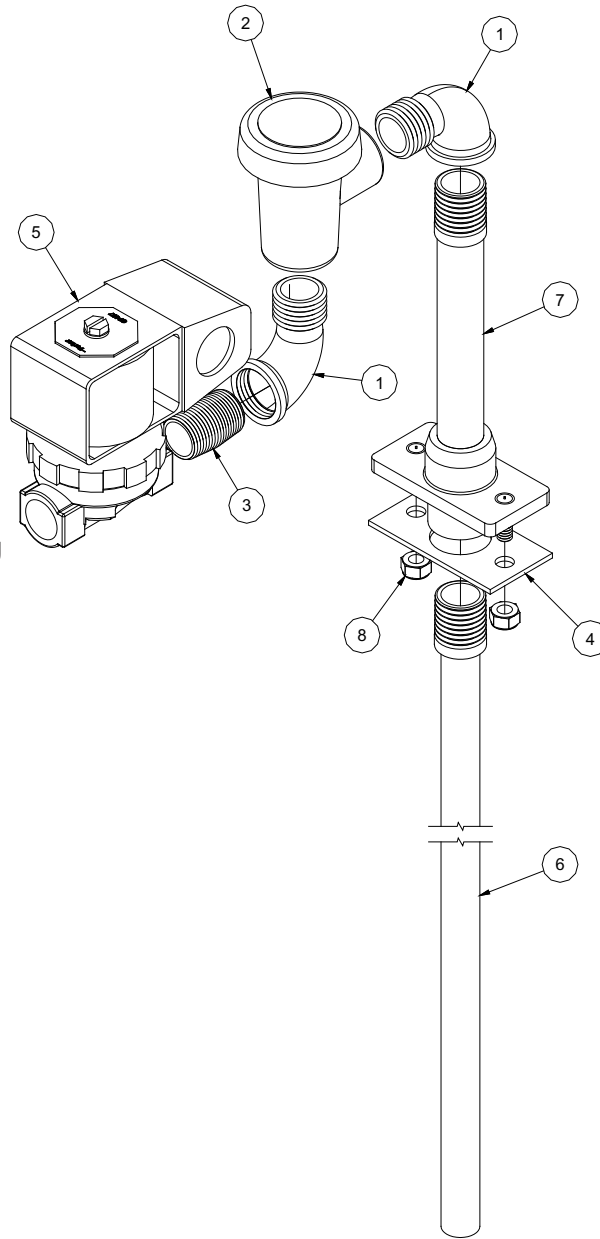


ITEM	QTY	DESCRIPTION	PART NUMBER
1	1	Casting, Door Spring Mount	09515-003-73-78
2	1	Spring, Door	05315-002-67-29
3	2	Spindle, Door Spring	05700-002-67-28
4	1	Pin, Door Spring	05700-002-83-55
5	1	Door Spring Bracket Weldment	05700-003-74-10
6	2	Washer, 1/4" S/S	05311-174-01-00
7	6	Locknut, 1/4"-20 Hex w/Nylon Insert	05310-374-01-00
8	1	Cotter Pin, 3/32" x 3/4"	05315-207-01-00



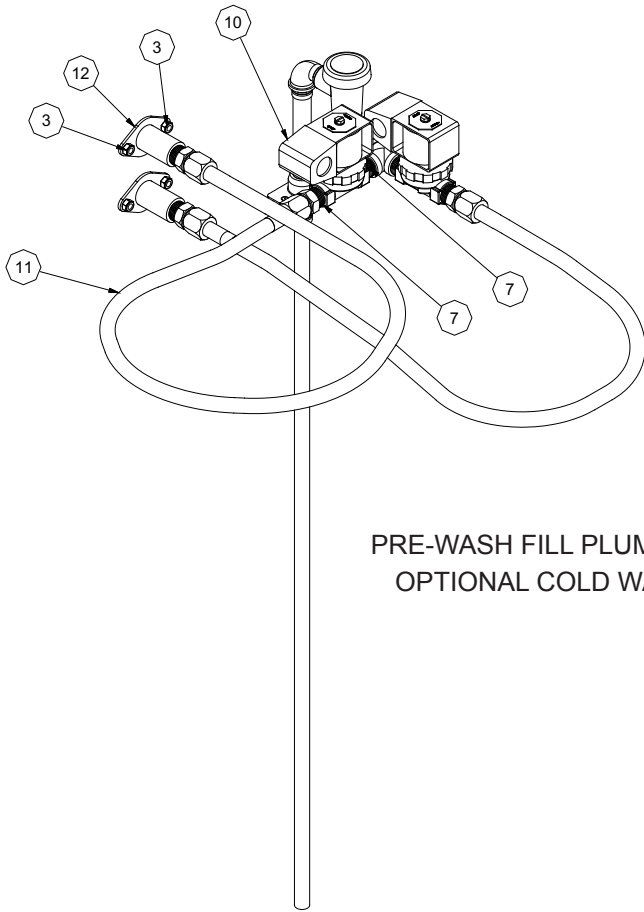
The opposite end of this hose connects to the Final Rinse Assembly.
 For units with the Booster Heater Option, this hose connects to the Booster Heater Inlet.

ITEM	QTY	DESCRIPTION	PART NUMBER
1	1	Strainer, Inlet, 1/2"	04730-217-01-10
2	3	Nipple, 1/2" Close, Brass	04730-207-15-00
3	1	Tee, Brass, 1/2" x 1/2" x 1/2"	04730-211-27-00
4	1	Regulator, 1/2"	04820-100-04-07
5	1	Valve, 1/2" NPT Brass, 24VDC Coil	04810-003-75-16
6	2	Hose, 1/2" x 42" S/S Braided w/PTFE, Male Swivel	04720-003-76-09
7	1	Bracket, Inlet Plumbing Support	05700-003-74-42
8	1	Bracket, Upper Inlet Plumbing Support	05700-003-74-86

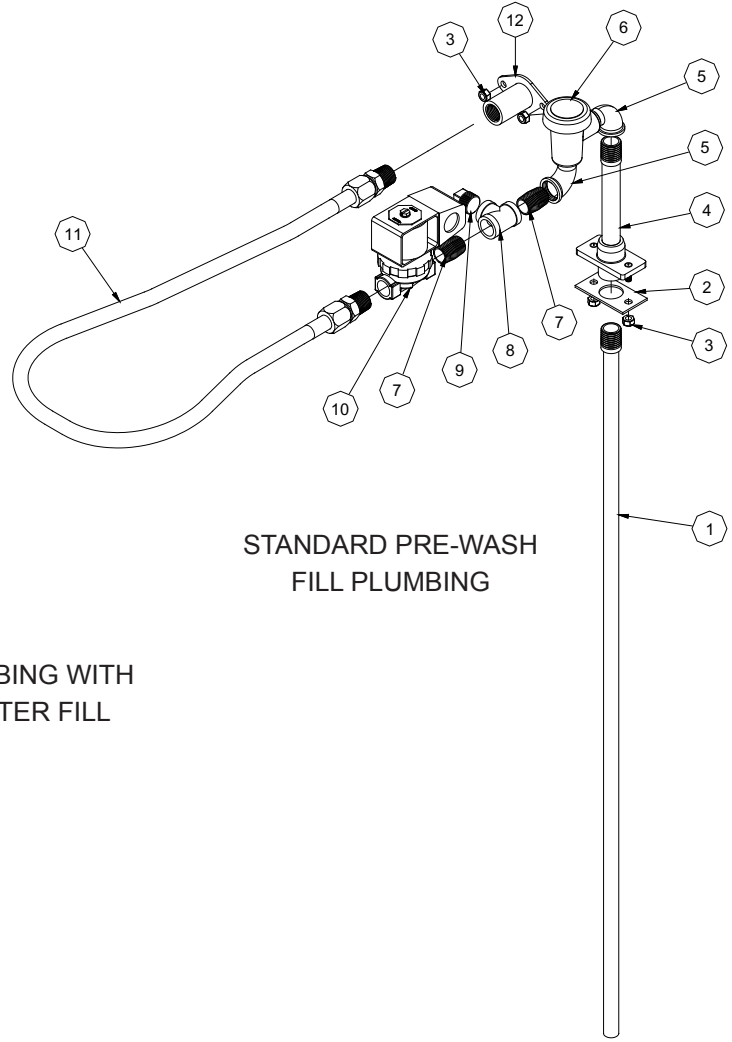


The hose from the Main Water Inlet Plumbing connects to this solenoid valve.

ITEM	QTY	DESCRIPTION	PART NUMBER
1	2	Elbow, 90 Degree, 1/2" Brass	04730-206-08-00
2	1	Vacuum Breaker, 1/2" Vacuum Breaker Repair Kit	04820-003-06-13 06401-003-06-23
3	1	Nipple, 1/2" Close, Brass	04730-207-15-00
4	1	Gasket, Rinse Manifold	05330-003-75-91
5	1	Valve, 1/2" NPT Brass, 24VDC Coil	04810-003-75-16
6	1	Tube Weldment, Tank Fill	05700-003-76-81
7	1	Tank Fill Injector Weldment	05700-003-76-84
8	2	Locknut, 1/4"-20 Hex w/Nylon Insert	05310-374-01-00



PRE-WASH FILL PLUMBING WITH
OPTIONAL COLD WATER FILL

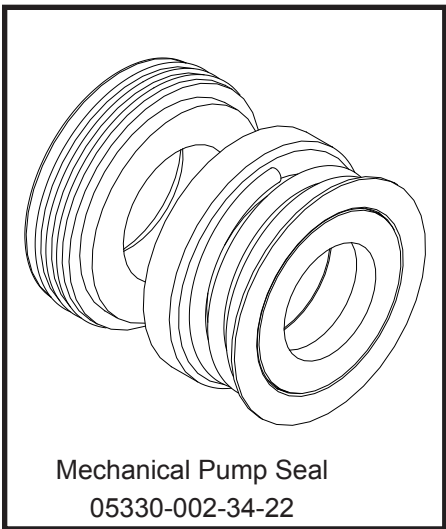
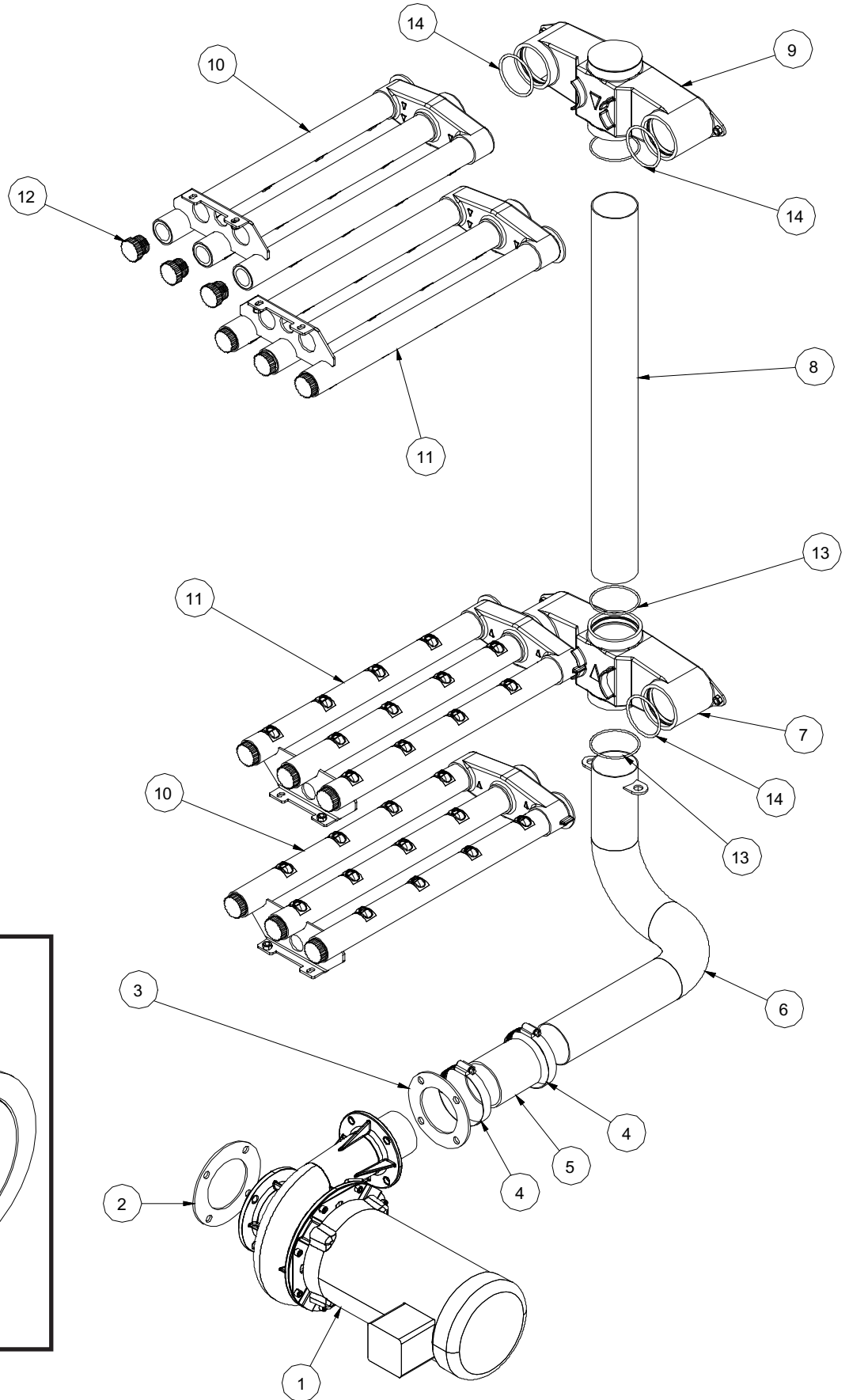


STANDARD PRE-WASH
FILL PLUMBING

ITEM	QTY	DESCRIPTION	PART NUMBER
1	1	Tube Weldment, Tank Fill	05700-003-76-81
2	1	Gasket, Rinse Manifold	05330-003-75-91
3	4 (6)*	Locknut, 1/4"-20 Hex w/Nylon Insert	05310-374-01-00
4	1	Tank Fill Injector Weldment	05700-003-76-84
5	2	Elbow, 90 Degree, 1/2" Brass	04730-206-08-00
6	1	Vacuum Breaker, 1/2" Vacuum Breaker Repair Kit	04820-003-06-13 06401-003-06-23
7	2 (3)*	Nipple, 1/2" Close, Brass	04730-207-15-00
8	1	Tee, 1/2" x 1/2" x 1/2" NPT Brass	04730-211-27-00
9	1 (0)*	Plug, 1/2" NPT Brass (Removed for Cold Water Fill Option)	04730-209-03-00
10	1 (2)*	Valve, 1/2" NPT Brass, 24VDC Coil	04810-003-75-16
11	1 (2)*	Hose, 1/2" x 42" S/S Braided w/PTFE, Male Swivel	04720-003-76-09
12	1 (2)*	Water Inlet Fitting	05700-003-81-98

*Quantity changes when Cold Water Pre-Wash Fill option is added.

WASH MANIFOLD & ARM ASSEMBLY

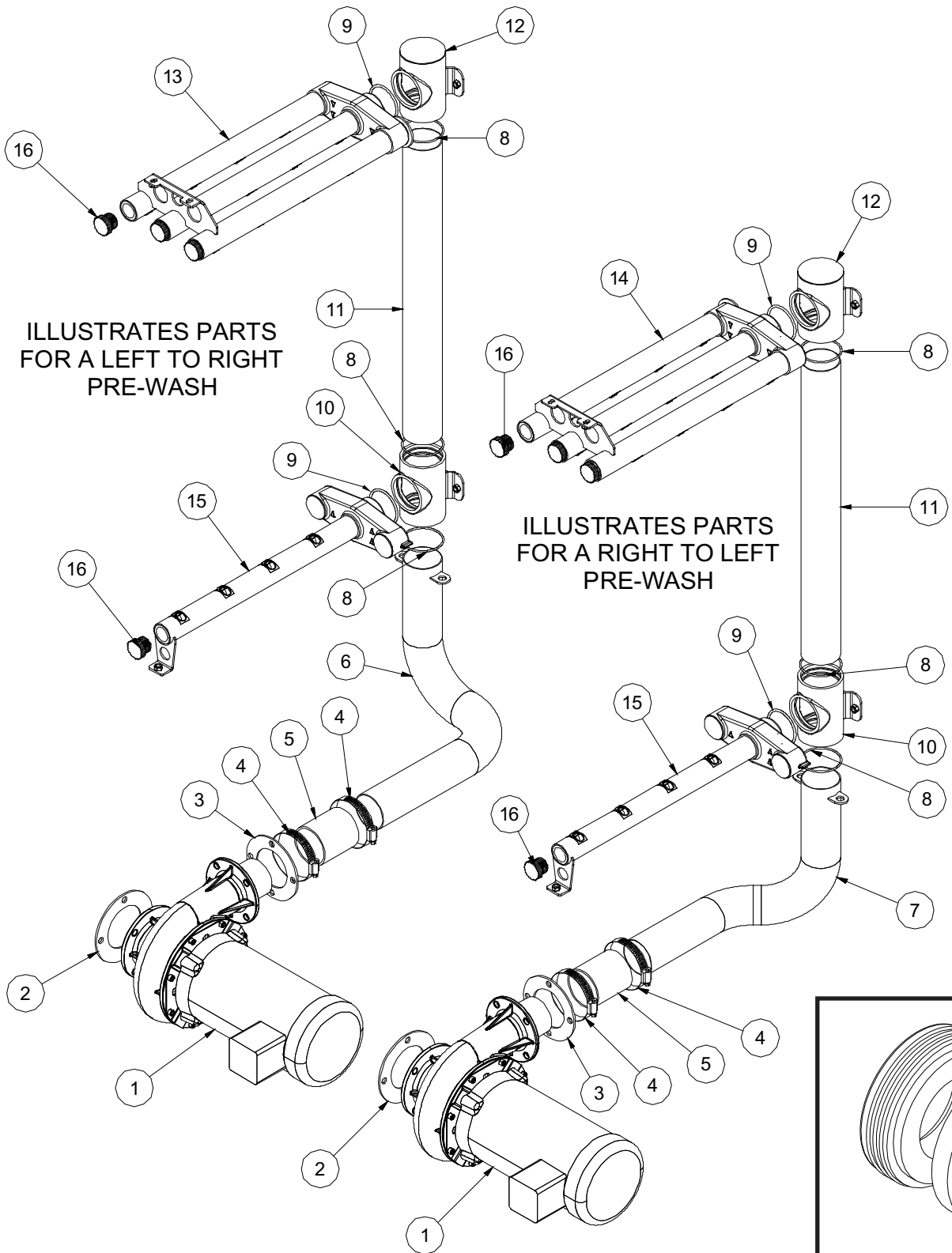


WASH MANIFOLD & ARM ASSEMBLY

PARTS

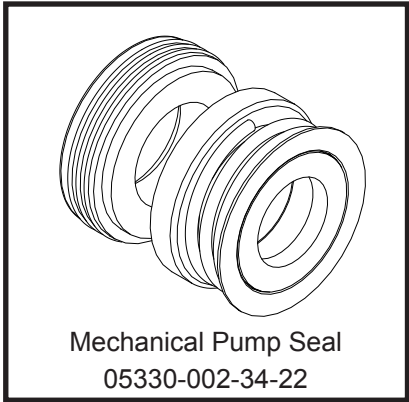
ITEM	QTY	DESCRIPTION	PART NUMBER
1	1	Pump & Motor Assembly	See Table Below
2	1	Gasket, Pump Suction	05330-003-75-87
3	1	Gasket, Pump Discharge	05330-003-75-88
4	2	Hose Clamp, Range 2-9/16" to 3-1/2"	04730-003-15-40
5	1	Hose, Wash Pump Discharge	05700-003-77-62
6	1	(L-R Machines) Lower Manifold (R-L Machines) Lower Manifold	05700-003-74-29 05700-003-74-28
7	1	Casting, Wash Manifold	09515-003-71-50
8	1	Tube, Manifold Riser	05700-003-72-37
9	1	Wash Manifold Weldment, Upper	05700-003-73-66
10	2	Wash Arm Weldment, Right	05700-003-75-80
11	2	Wash Arm Weldment, Left	05700-003-75-79
12	12	Cap, Threaded	04730-603-12-00
13	3	O-Ring, Silicone, .103 Dia., 2-1/2" x 2-11/16" OD	05330-003-73-71
14	4	O-Ring, Silicone, .139 Dia., 2-1/4" ID x 2-1/2" OD	05330-003-73-72

PUMP & MOTOR ASSEMBLY	PART NUMBER
Wash Pump, 3HP, 208V, 60Hz, 3-Phase	06105-003-76-11
Wash Pump, 3HP, 230V, 60Hz, 3-Phase	06105-003-76-11
Wash Pump, 3HP, 460V, 60Hz, 3-Phase	06105-003-76-11
Wash Pump, 3HP, 460V, 60Hz, 1-Phase	06105-003-76-13
Wash Pump, 3HP, 230V, 60Hz, 1-Phase	06105-003-76-13



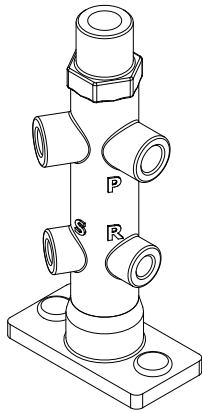
ILLUSTRATES PARTS FOR A LEFT TO RIGHT PRE-WASH

ILLUSTRATES PARTS FOR A RIGHT TO LEFT PRE-WASH



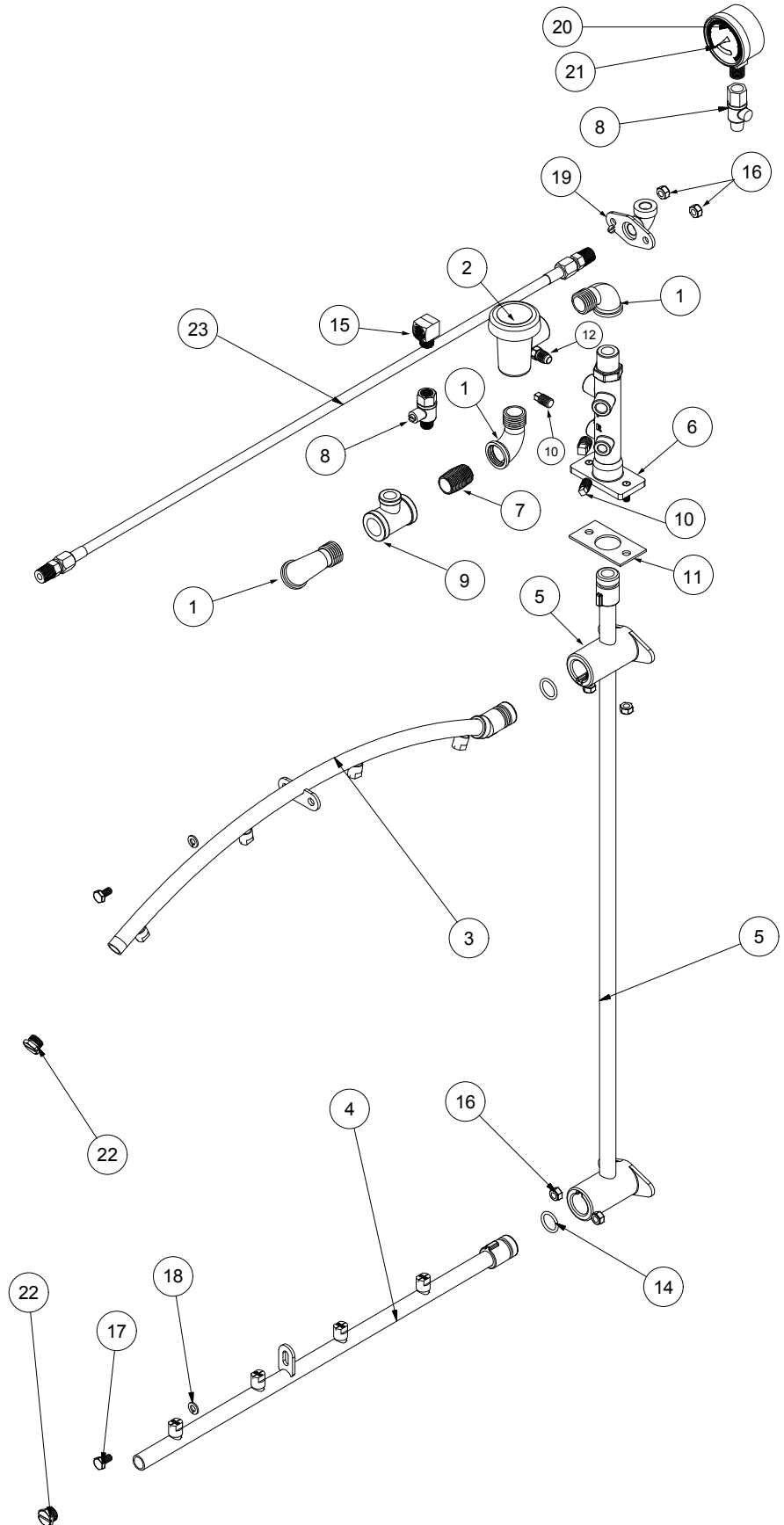
ITEM	QTY	DESCRIPTION	PART NUMBER
1	1	Pump & Motor Assembly	See Table Below
2	1	Gasket, Pump Suction	05330-003-75-87
3	1	Gasket, Pump Discharge	05330-003-75-88
4	2	Hose Clamp, Range 2-9/16" to 3-1/2"	04730-003-15-40
5	1	Hose, Wash Pump Discharge	05700-003-77-62
6	1	Lower Manifold (L-R Units)	05700-003-81-54
7	1	Lower Manifold (R-L Units)	05700-003-81-79
8	3	O-Ring, Silicone, .103 Dia., 2-1/2" x 2-11/16" OD	05330-003-73-71
9	2	O-Ring, Silicone, .139 Dia., 2-1/4" ID x 2-1/2" OD	05330-003-73-72
10	1	Casting, Pre-Wash Manifold	09515-003-77-22
11	1	Tube, Manifold Riser	05700-003-81-53
12	1	Wash Manifold Weldment, Upper	05700-003-81-76
13	1	Wash Arm Weldment, Left	05700-003-75-79
14	1	Wash Arm Weldment, Right	05700-003-75-80
15	1	Pre-Wash Arm Weldment, Lower	05700-003-80-96
16	4	Cap, Threaded	04730-603-12-00

PUMP & MOTOR ASSEMBLY	PART NUMBER
Pre-Wash Pump, 2HP, 208V, 60Hz, 3-Phase	06105-003-76-12
Pre-Wash Pump, 2HP, 230V, 60Hz, 3-Phase	06105-003-76-12
Pre-Wash Pump, 2HP, 460V, 60Hz, 3-Phase	06105-003-76-12
Pre-Wash Pump, 2HP, 460V, 60Hz, 1-Phase	06105-003-76-14
Pre-Wash Pump, 2HP, 230V, 60Hz, 1-Phase	06105-003-76-14

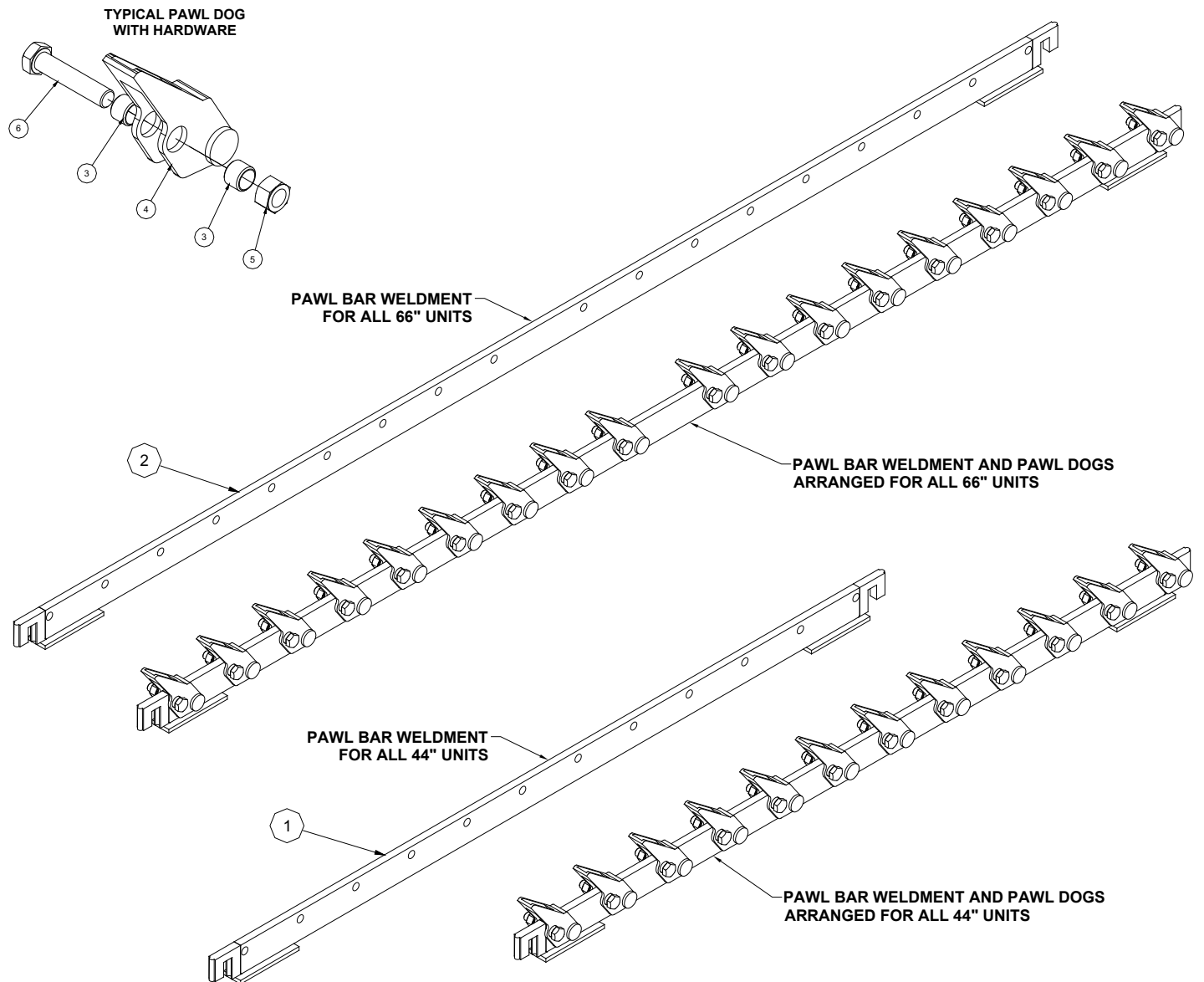


**RINSE INJECTOR
CONNECTIONS**

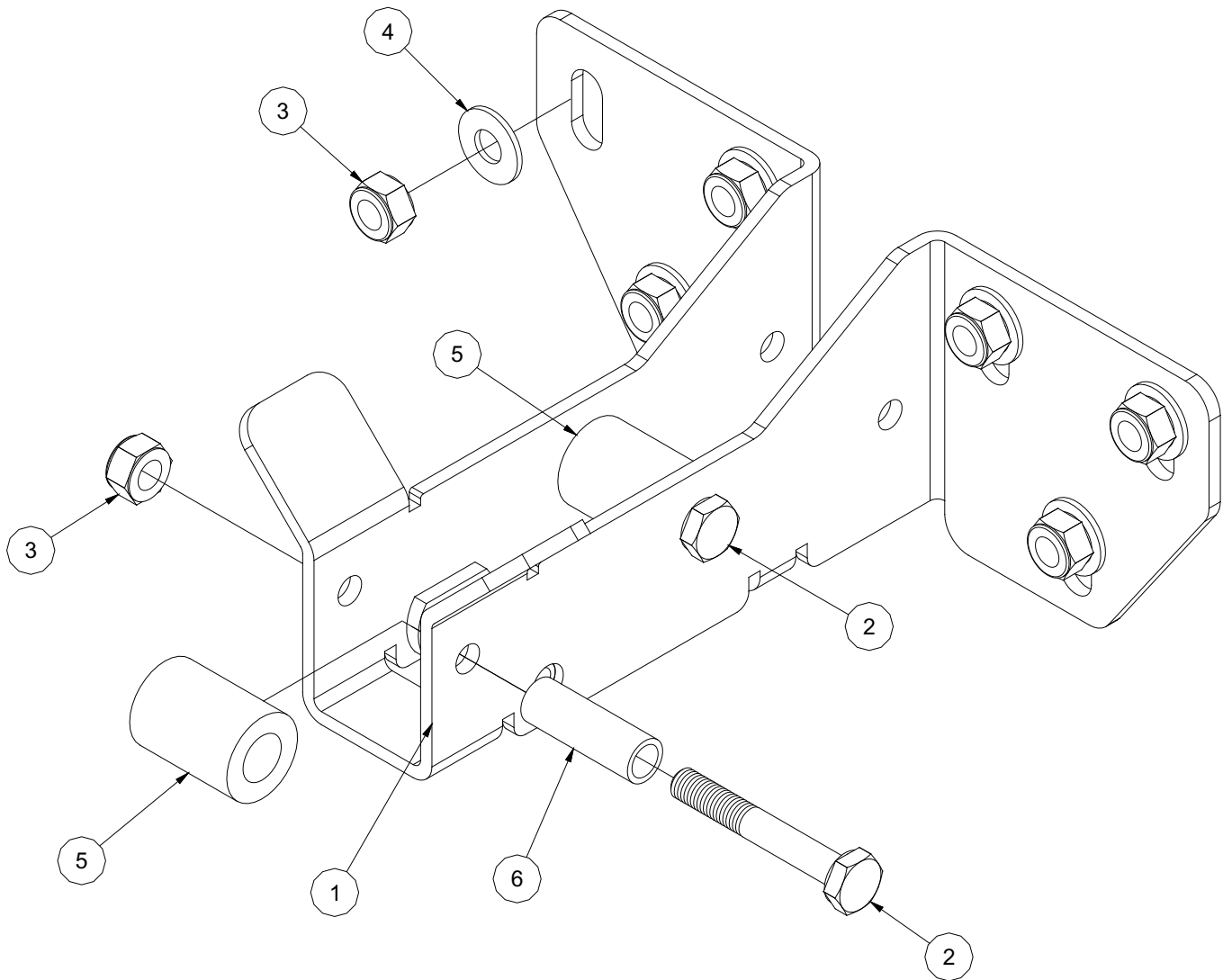
P: PRESSURE SWITCH
S: SANITIZER
R: RINSE AID



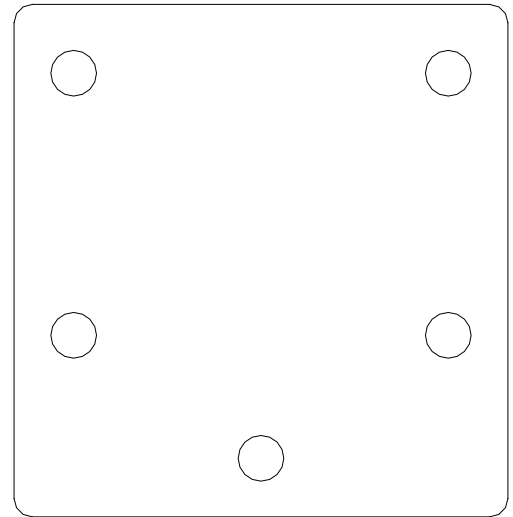
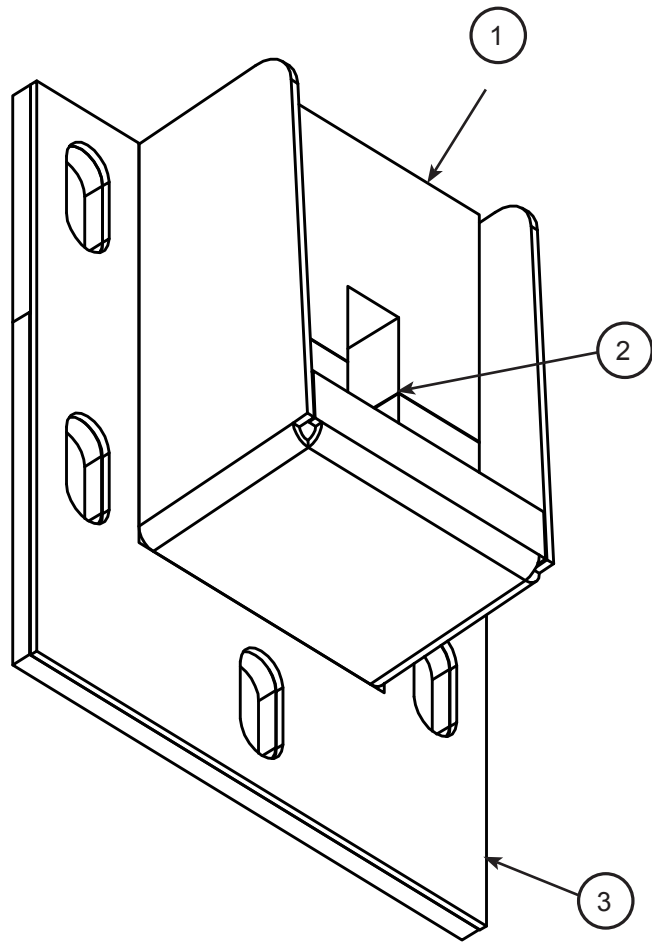
ITEM	QTY	DESCRIPTION	PART NUMBER
1	3	Elbow, 90 Deg., 1/2" Brass	04730-206-08-00
2	1	Vacuum Breaker, 1/2"	04820-003-06-13
3	1	Upper Rinse Arm	05700-003-76-02
4	1	Lower Rinse Arm	05700-003-76-04
5	1	Rinse Manifold	05700-003-76-79
6	1	Rinse Injector (L-R Units) (R-L Units)	05700-003-76-82 05700-003-76-83
7	1	Nipple, 1/2" Close Brass	04730-207-15-00
8	1	Valve, Ball Test Cock, 1/4" Bronze	04810-011-72-67
9	1	Tee, 1/2" FNPT x 1/2" FNPT x 1/4" FNPT	04730-002-22-56
10	2	Plug, 1/8" NPT Brass	04730-209-07-37
11	1	Gasket, Rinse Manifold	05330-003-75-91
12	1	Fitting, Imperial Brass	05310-924-02-05
13	1	Plug, 1/4"	04730-209-01-00
14	3	O-Ring, Silicon, .103 Dia., 11/16" x 7/8" OD	05330-003-77-82
15	1	Elbow, Brass, 90 Deg., 1/4" NPTM x 1/4" NPTF	04730-003-77-83
16	6	Locknut, 1/4-20 Hex w/Nylon Insert	05310-374-01-00
17	2	Bolt, 1/4-20 x 1/2" Long	05305-274-02-00
18	2	Lockwasher, Spring, 1/4"	05311-274-01-00
19	1	Elbow Weldment, Temp Gauge	05700-003-77-12
20	1	Gauge, 0-100# Pressure	06685-111-88-34
21	1	Decal 15-25 PSI	09905-002-97-74
22	2	End Plug	05700-011-35-92
23	1	Hose, 1/4 x 30 S/S Braided w/PTFE, Male Swivel	04720-003-76-10



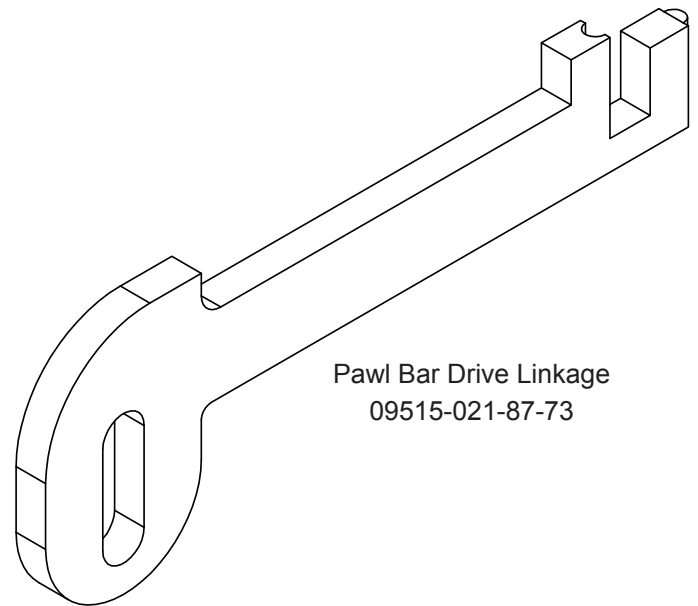
ITEM	QTY	DESCRIPTION	PART NUMBER
1	1	Pawl Bar Weldment, 44" Units	05700-031-72-77
2	1	Pawl Bar Weldment, 66" Units	05700-003-89-34
3	24 (44") 36 (66")	Spacer, Pawl Bar Dog	05700-011-71-45
4	12 (44") 18 (66")	Pawl Bar Dog Casting	09515-021-69-00
5	12 (44") 18 (66")	Locknut, 3/8-16 w/Nylon Insert	05310-011-72-55
6	12 (44") 18 (66")	Bolt, 3/8-16 x 1-3/4" Long	05306-011-36-94



ITEM	QTY	DESCRIPTION	PART NUMBER
1	1	Pawl Bar Bracket Weldment	05700-003-74-39
2	2	Screw, 1/4-20 x 1-3/4" Hex Head	05305-274-10-00
3	8	Locknut, 1/4-20 Hex w/Nylon Insert	05310-374-01-00
4	6	Washer, S/S	05311-174-01-00
5	2	Roller, Bracket Rod	05700-011-68-16
6	2	Shaft, Roller, 3/8" x 1.13"	05700-011-68-14
		Pawl Bar Roller Replacement Kit (comes with # 2, 3, 5 &6)	06401-003-11-80



Drive Rod Hole Cover
05700-003-75-68

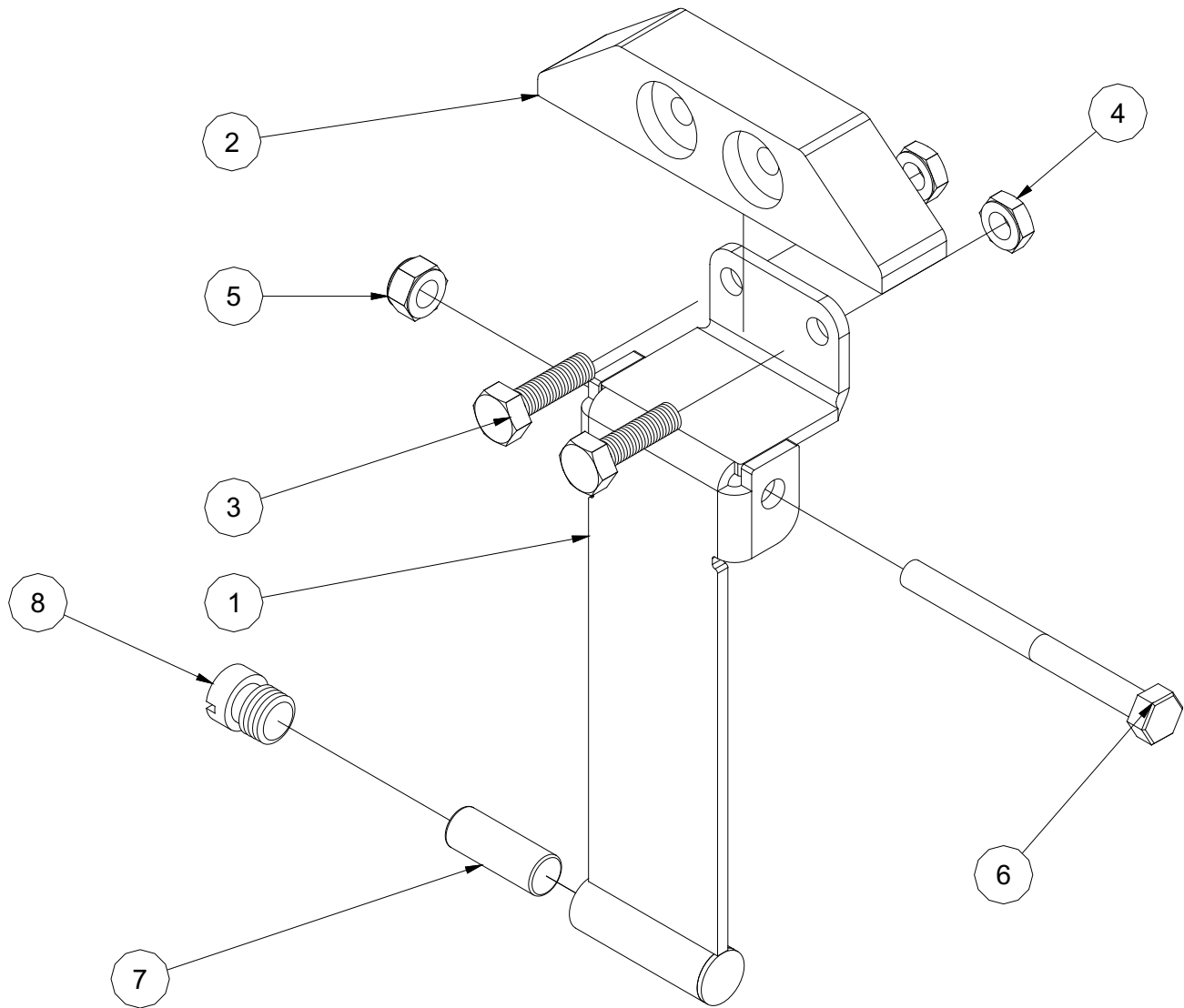


Pawl Bar Drive Linkage
09515-021-87-73

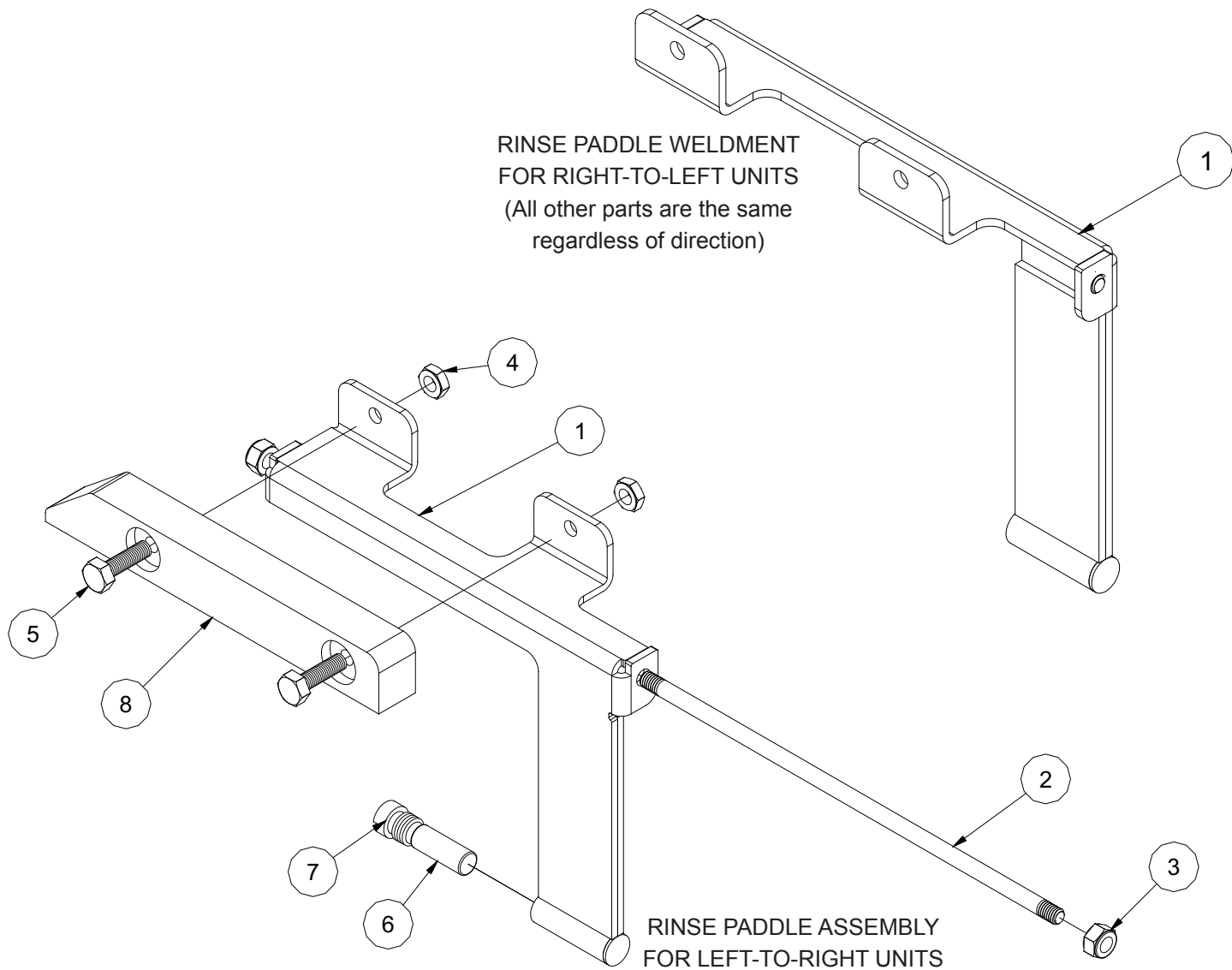
ITEM	QTY	DESCRIPTION	PART NUMBER
1	1	Top Guide Block	05700-011-69-49
2	1	Bottom Guide Block	05700-011-69-50
3	1	Pawl Bar Gutter Weldment	05700-021-66-86
4	1	Drive Gutter Gasket (not shown)	05330-011-68-55
	1	Gutter Weldment Replacement Kit (w/Hardware)	06401-003-09-95
	1	Guide Block Replacement Kit	06401-003-10-15

RACK PADDLE ASSEMBLY

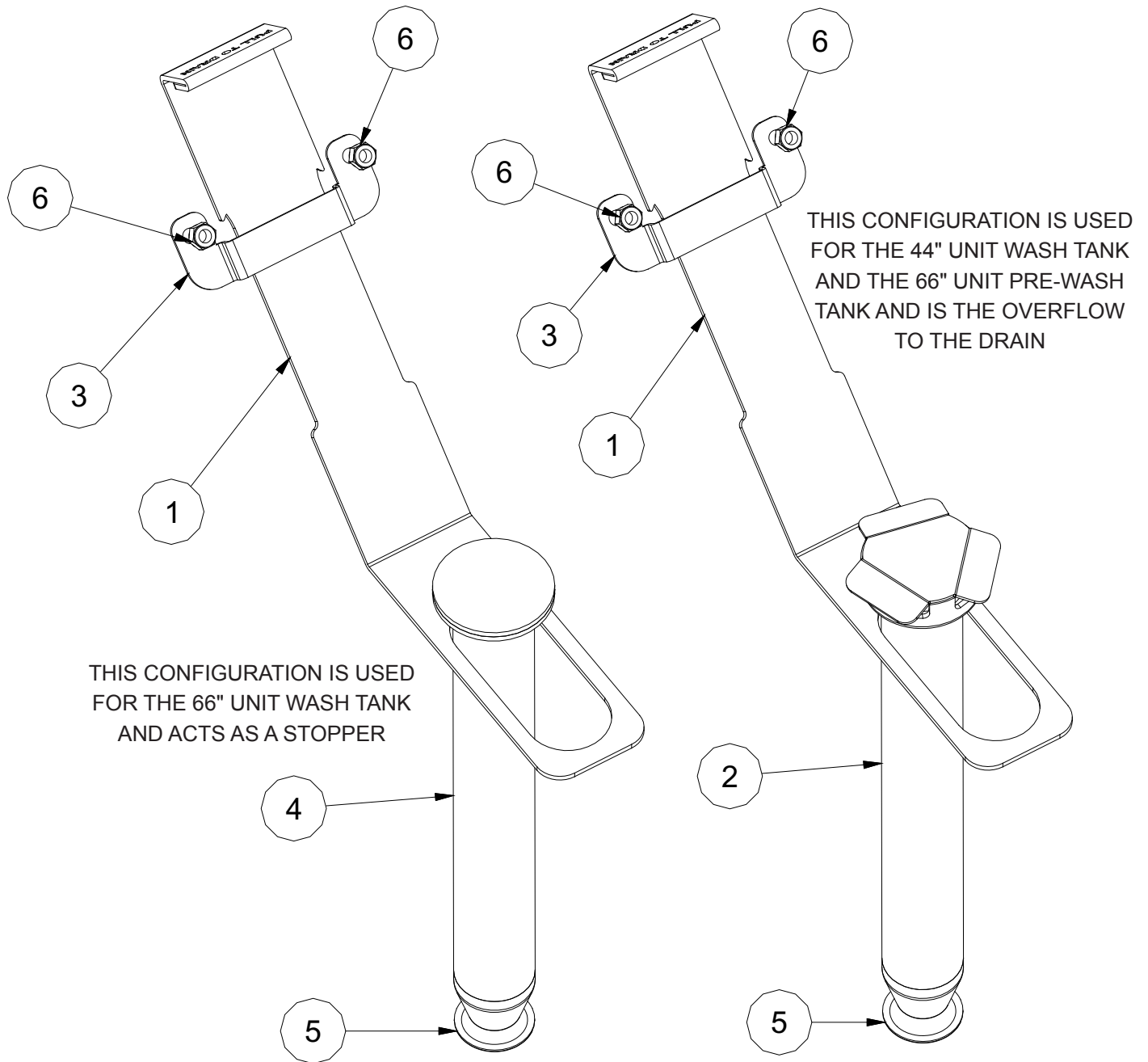
PARTS



ITEM	QTY	DESCRIPTION	PART NUMBER
1	1	Rack Paddle Weldment	05700-003-76-71
2	1	Bumper, Rack Paddle	09330-003-74-82
3	2	Screw, 1/4-20 x 7/8" S/S	05305-274-05-00
4	2	Locknut, 1/4-20 Low Profile w/Nylon Insert	05310-374-02-00
5	1	Locknut, 1/4-20 Hex w/Nylon Insert	05310-374-01-00
6	1	Screw, 1/4-20 x 2-3/4" Hex Head	05305-003-31-63
7	1	Magnet	05930-003-31-63
8	1	Wash/Rinse End Cap	05700-011-60-92
	1	Rack Paddle Assembly	05700-003-76-74

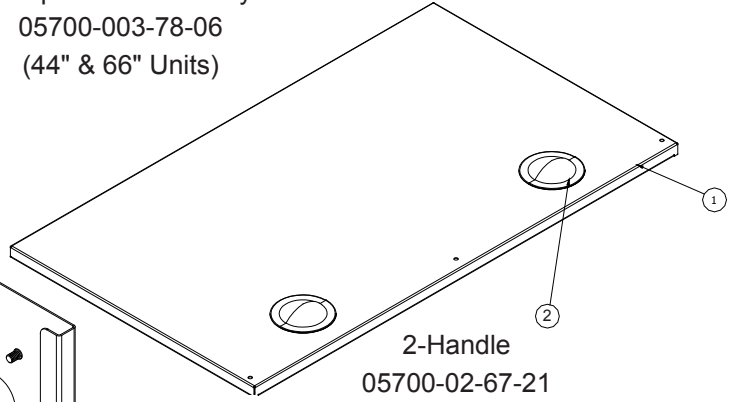


ITEM	QTY	DESCRIPTION	PART NUMBER
1	1	Rinse Paddle Weldment (Left-to-Right) (Right-to-Left)	05700-003-81-91 05700-003-81-96
2	1	Stud, 1/4-20 x 8.50" Long, S/S, Double Ended Thread	05306-003-76-31
3	2	Locknut, 1/4-20 Hex w/Nylon Insert	05310-374-01-00
4	2	Locknut, 1/4-20 Low Profile w/Nylon Insert	05310-374-02-00
5	4	Screw, 1/2-20 x 7/8" Hex Head, S/S	05305-274-05-00
6	4	Magnet	05930-003-31-63
7	1	End Cap	05700-011-60-92
8	1	Bumper, Rinse Paddle	09330-003-81-04
	1	Rinse Paddle Assembly (Left-to-Right) (Right-to-Left)	05700-003-81-92 05700-003-81-95



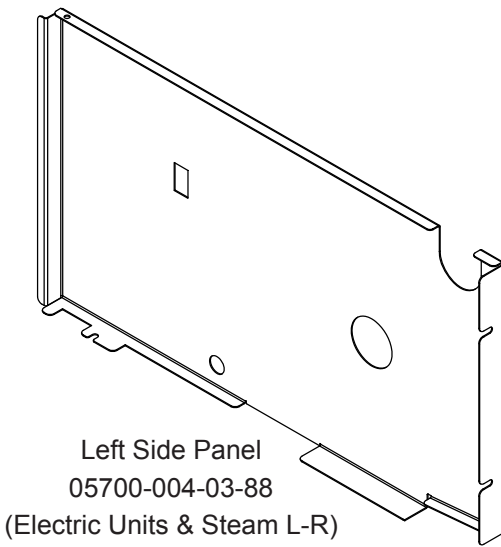
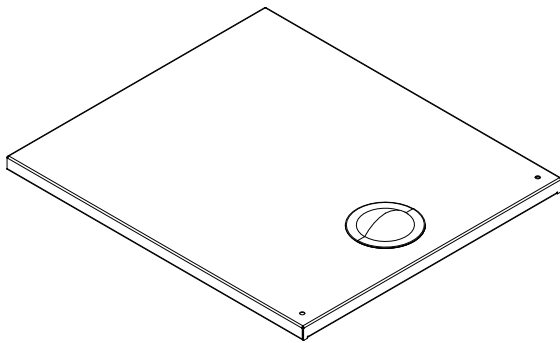
ITEM	QTY	DESCRIPTION	PART NUMBER
1	1	Drain Handle	05700-003-83-66
2	1	Drain Standpipe (Overflow)	05700-003-75-55
3	2	Drain Handle Bracket	05700-003-83-67
4	2	Drain Standpipe	05700-003-82-76
5	1	O-Ring	05330-400-05-00
6	2	Locknut, 1/4-20 Hex w/Nylon Insert	05310-374-01-00

1-Top Panel Assembly
05700-003-78-06
(44" & 66" Units)

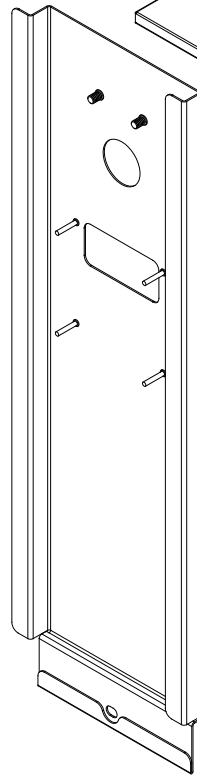


2-Handle
05700-02-67-21

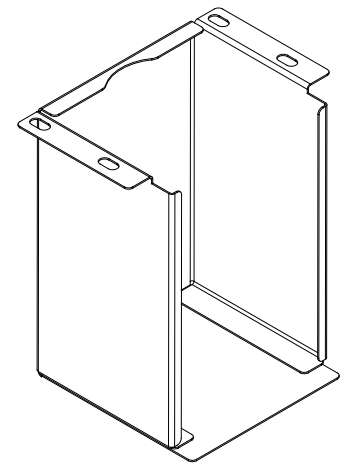
Pre-Wash Top Panel Assembly
05700-003-82-49



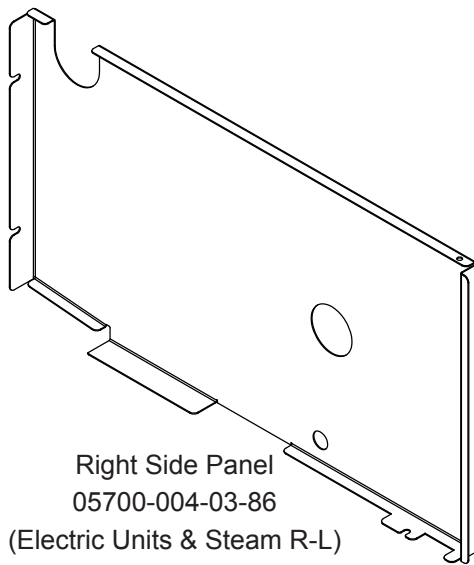
Left Side Panel
05700-004-03-88
(Electric Units & Steam L-R)
05700-003-83-87
(Steam R-L)



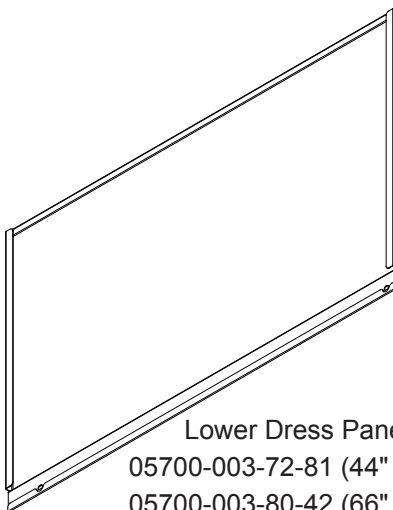
Control Dress Panel



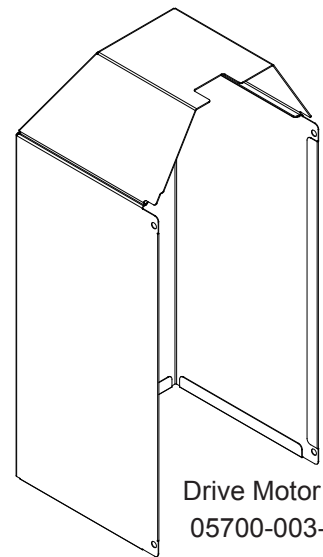
Cover, Wash Heater
05700-003-74-73
(Electrically Heated Units Only)



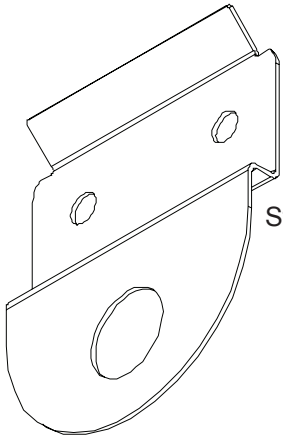
Right Side Panel
05700-004-03-86
(Electric Units & Steam R-L)
05700-003-83-71
(Steam L-R Units)



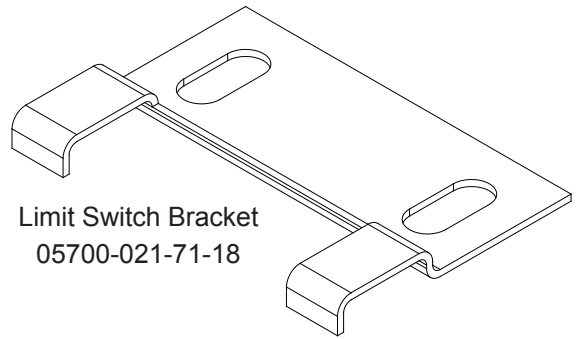
Lower Dress Panel
05700-003-72-81 (44" Units)
05700-003-80-42 (66" Units)



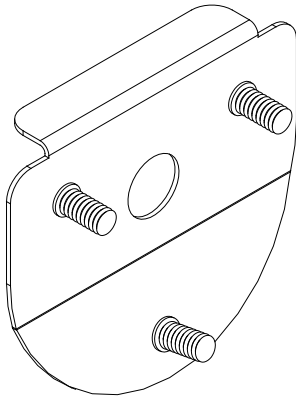
Drive Motor Guard
05700-003-79-45



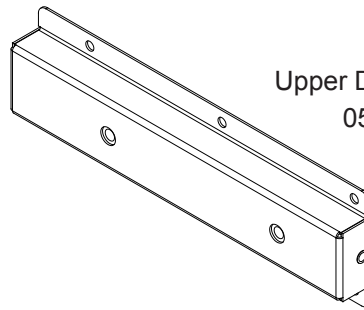
Start Switch Bracket
05700-003-74-65



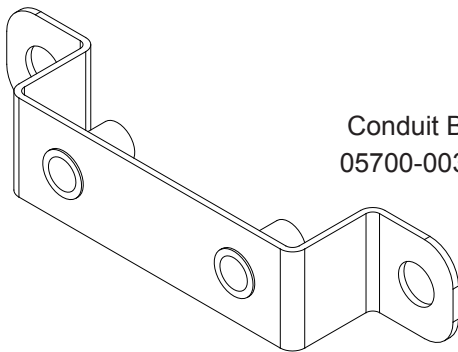
Limit Switch Bracket
05700-021-71-18



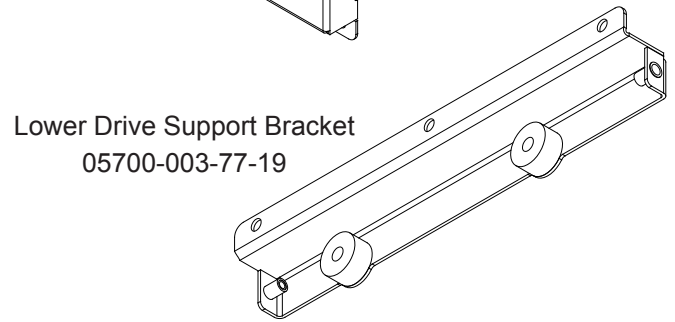
Fill Tube Bracket
05700-003-79-55



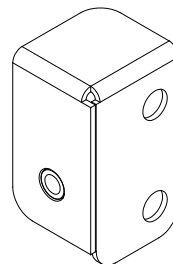
Upper Drive Support Bracket
05700-003-77-18



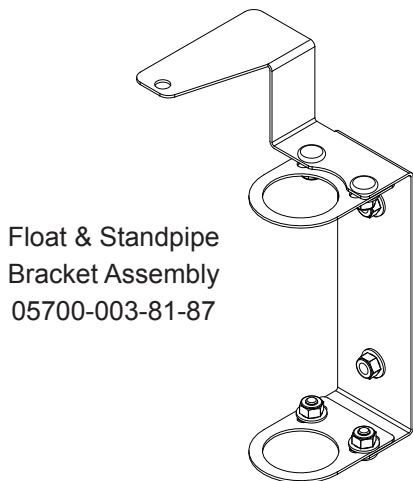
Conduit Bracket
05700-003-77-87



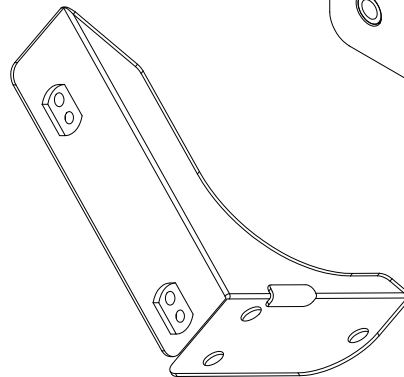
Lower Drive Support Bracket
05700-003-77-19



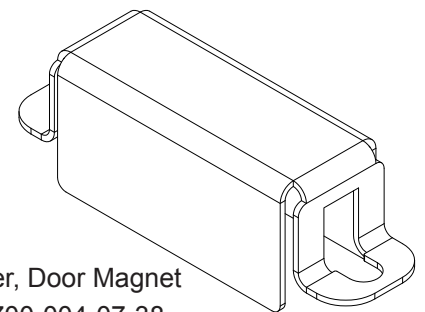
Panel Bracket, Right
05700-003-78-14



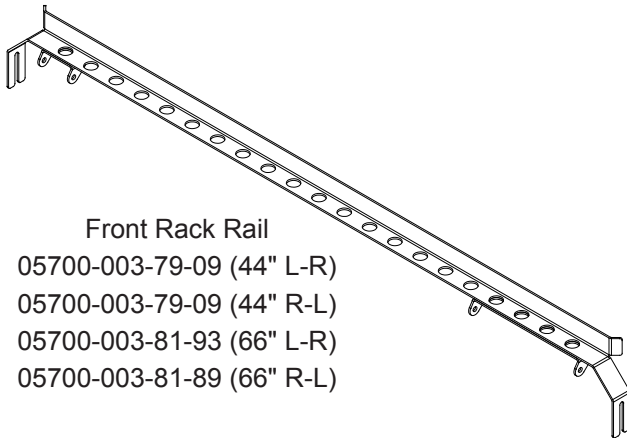
Float & Standpipe
Bracket Assembly
05700-003-81-87



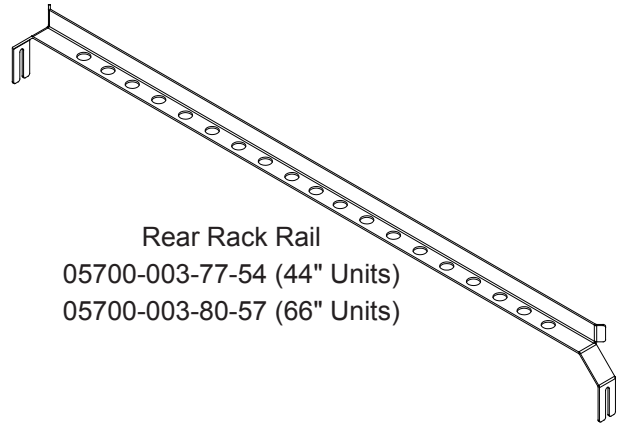
Panel Bracket, Left
05700-003-78-13



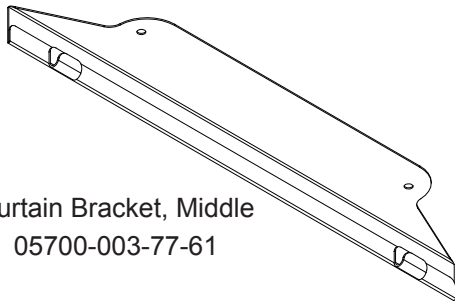
Cover, Door Magnet
05700-004-07-38



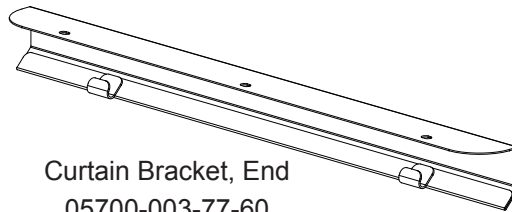
Front Rack Rail
 05700-003-79-09 (44" L-R)
 05700-003-79-09 (44" R-L)
 05700-003-81-93 (66" L-R)
 05700-003-81-89 (66" R-L)



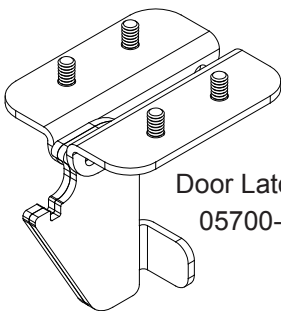
Rear Rack Rail
 05700-003-77-54 (44" Units)
 05700-003-80-57 (66" Units)



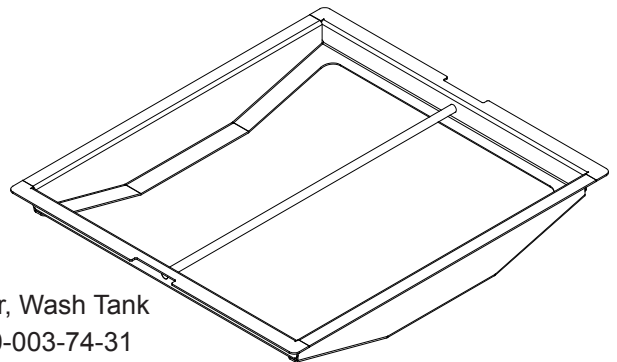
Curtain Bracket, Middle
 05700-003-77-61



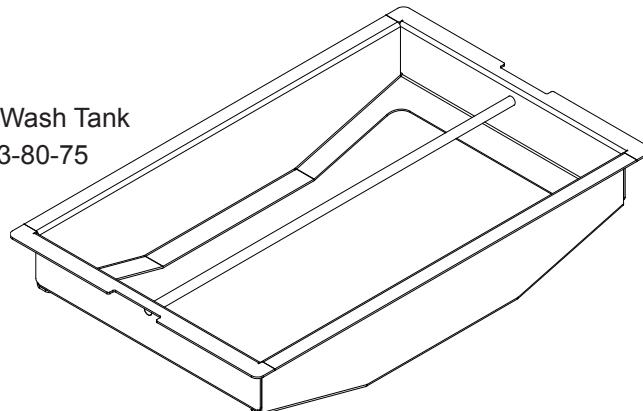
Curtain Bracket, End
 05700-003-77-60



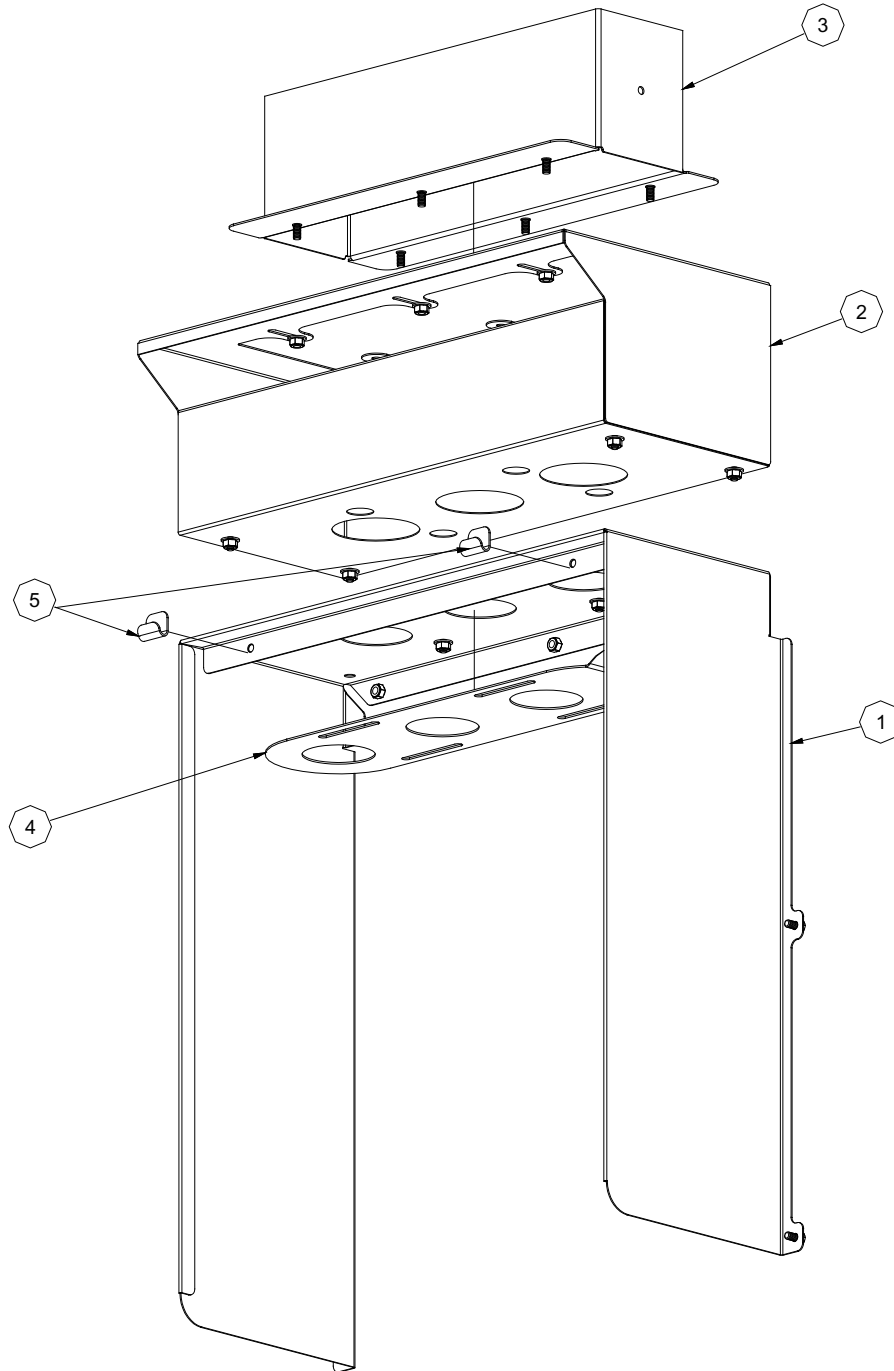
Door Latch Assembly
 05700-003-75-76



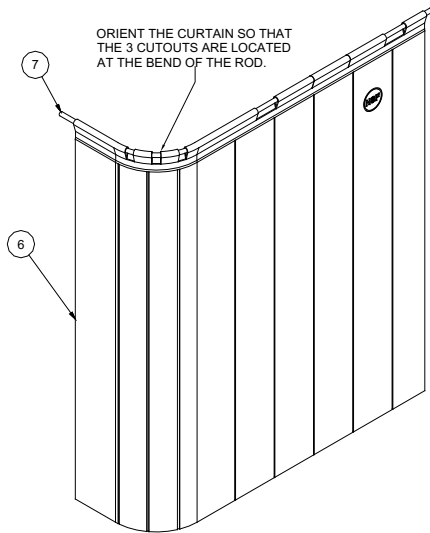
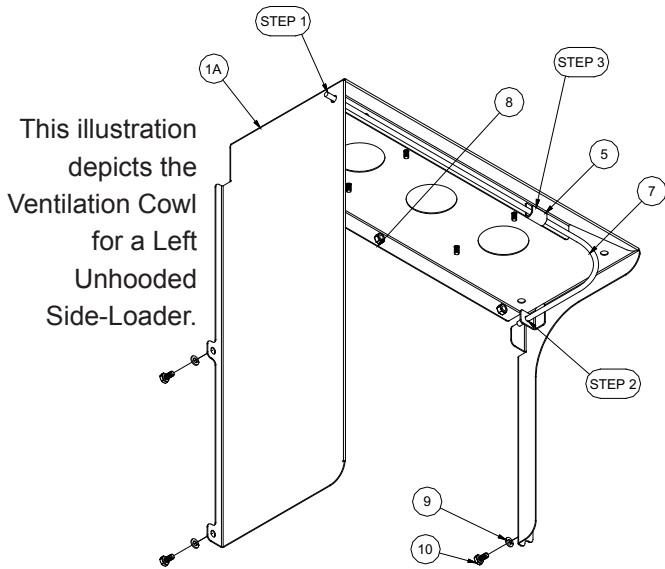
Strainer, Wash Tank
 05700-003-74-31



Strainer, Pre-Wash Tank
 05700-003-80-75

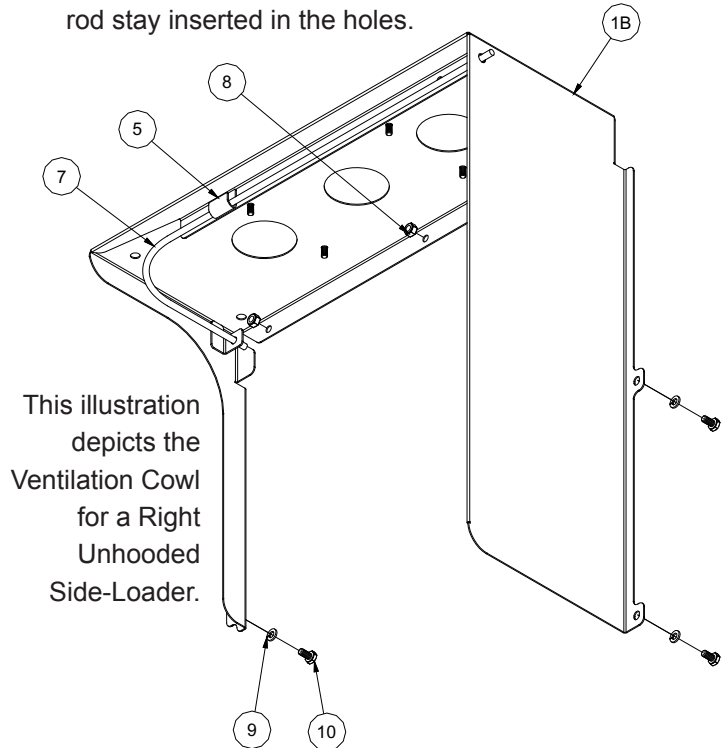


ITEM	QTY	DESCRIPTION	PART NUMBER
1	2	Ventilation Cowl	05700-003-77-50
	1	Ventilation Cowl, Left Side (for Door Accent Panel option)	05700-003-75-77
	1	Ventilation Cowl, Right Side (for Door Accent Panel option)	05700-003-75-78
2	2	Ventilation Scoop	05700-003-75-74
3	2	Ventilation Duct Adapter	05700-003-75-73
4	2	Damper, Ventilation Scoop	05700-003-74-76
5	4	Curtain Hook	05700-003-17-98

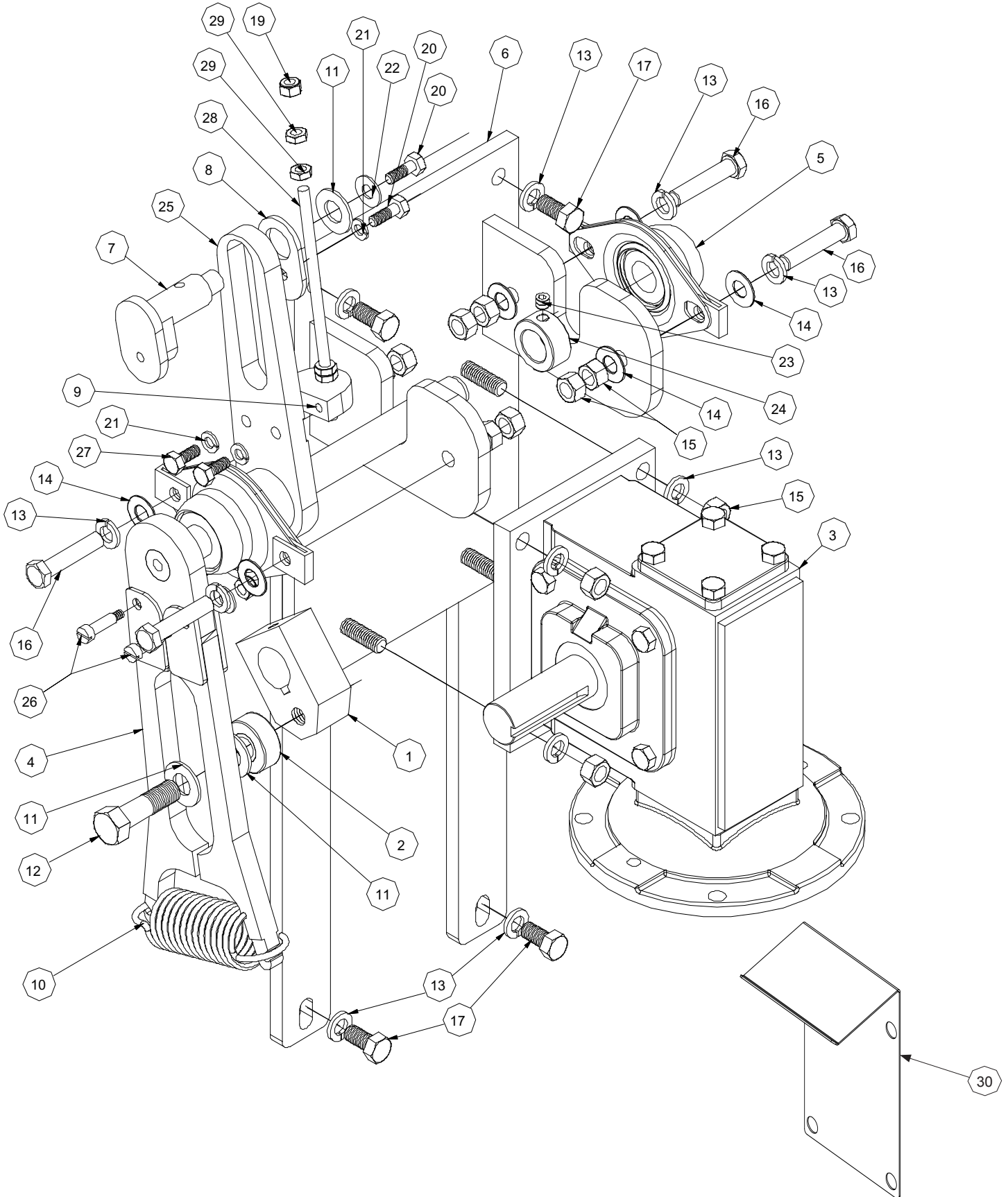


To attach the curtain and rod to the Ventilation Cowl, ensure that the curtain is oriented as depicted and follow the steps below:

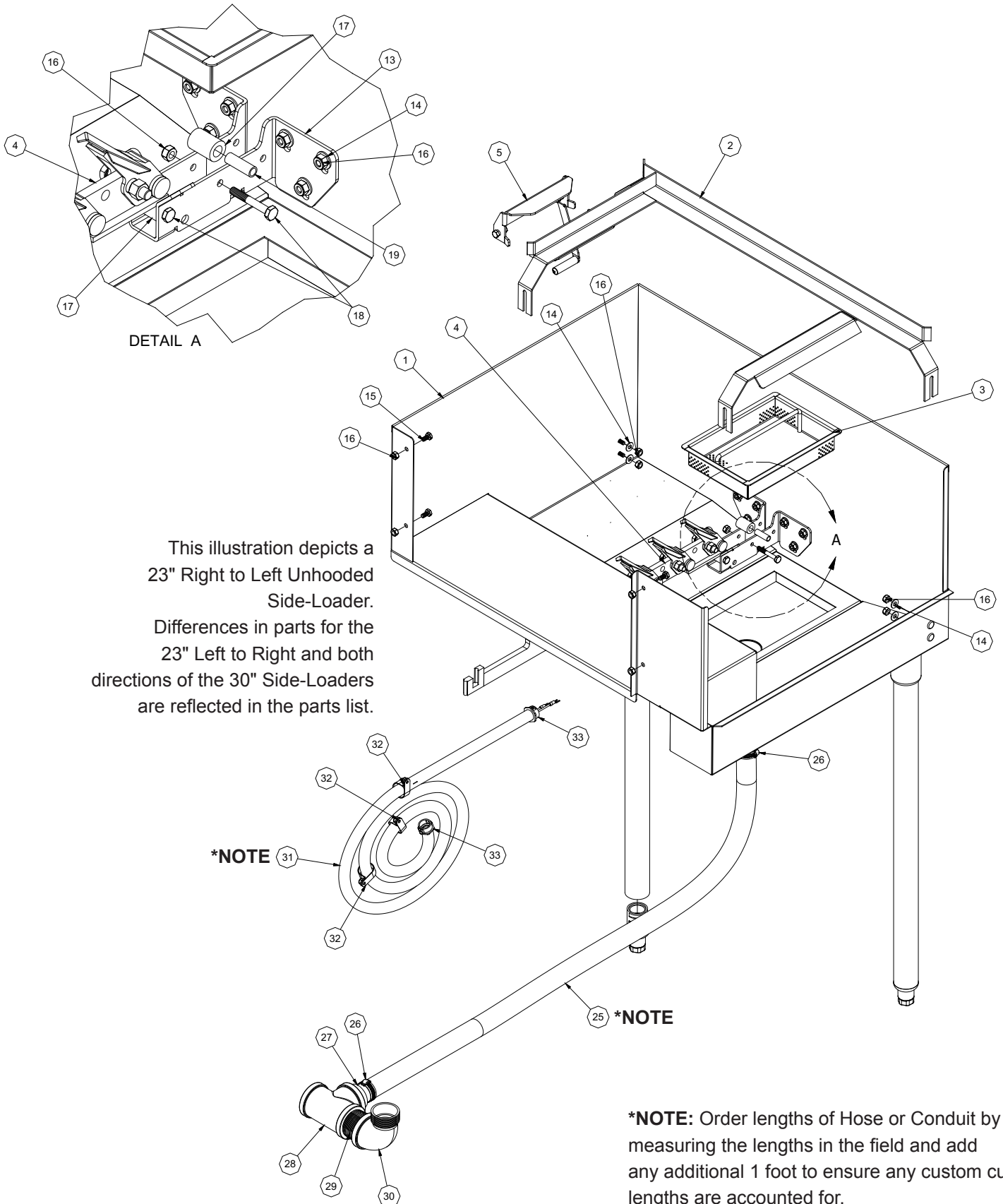
1. Insert the rod into the hole at the rear of the Ventilation Cowl.
2. Insert the rod into the bracket at the front of the Ventilation Cowl.
3. Gently lift the rod at the curtain cutout over and onto the curtain hook ensuring that the ends of the rod stay inserted in the holes.

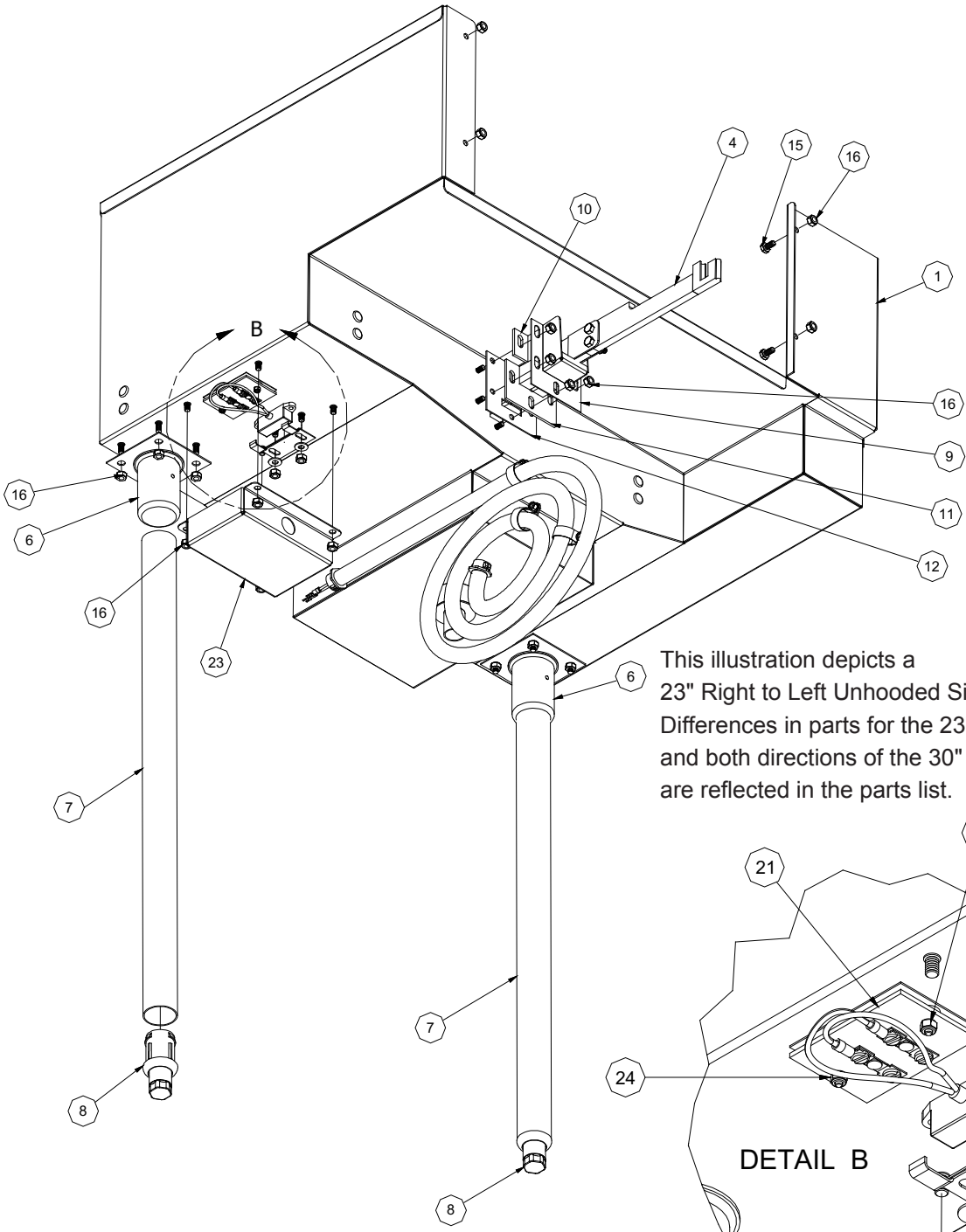


ITEM	QTY	DESCRIPTION	PART NUMBER
1A	1	Ventilation Cowl w/Cutout for Left Side Loader	05700-003-84-67
1B	1	Ventilation Cowl w/Cutout for Right Side Loader	05700-003-84-66
2	1	Ventilation Scoop (not shown)	05700-003-75-74
3	1	Ventilation Duct Adapter (not shown)	05700-003-75-73
4	1	Damper, Ventilation Scoop (not shown)	05700-003-74-76
5	2	Curtain Hook	05700-003-86-10
6	1	Curtain, XL for Side-Loader	08415-003-84-88
7	1	Curtain Rod	05700-003-84-57
8	3	Locknut, 1/4-20 Hex w/Nylon Insert	05310-374-01-00
9	3	Lockwasher, 1/4" Spring	05311-274-01-00
10	3	Bolt, 1/4-20 x 1/2" Long	05305-274-02-00



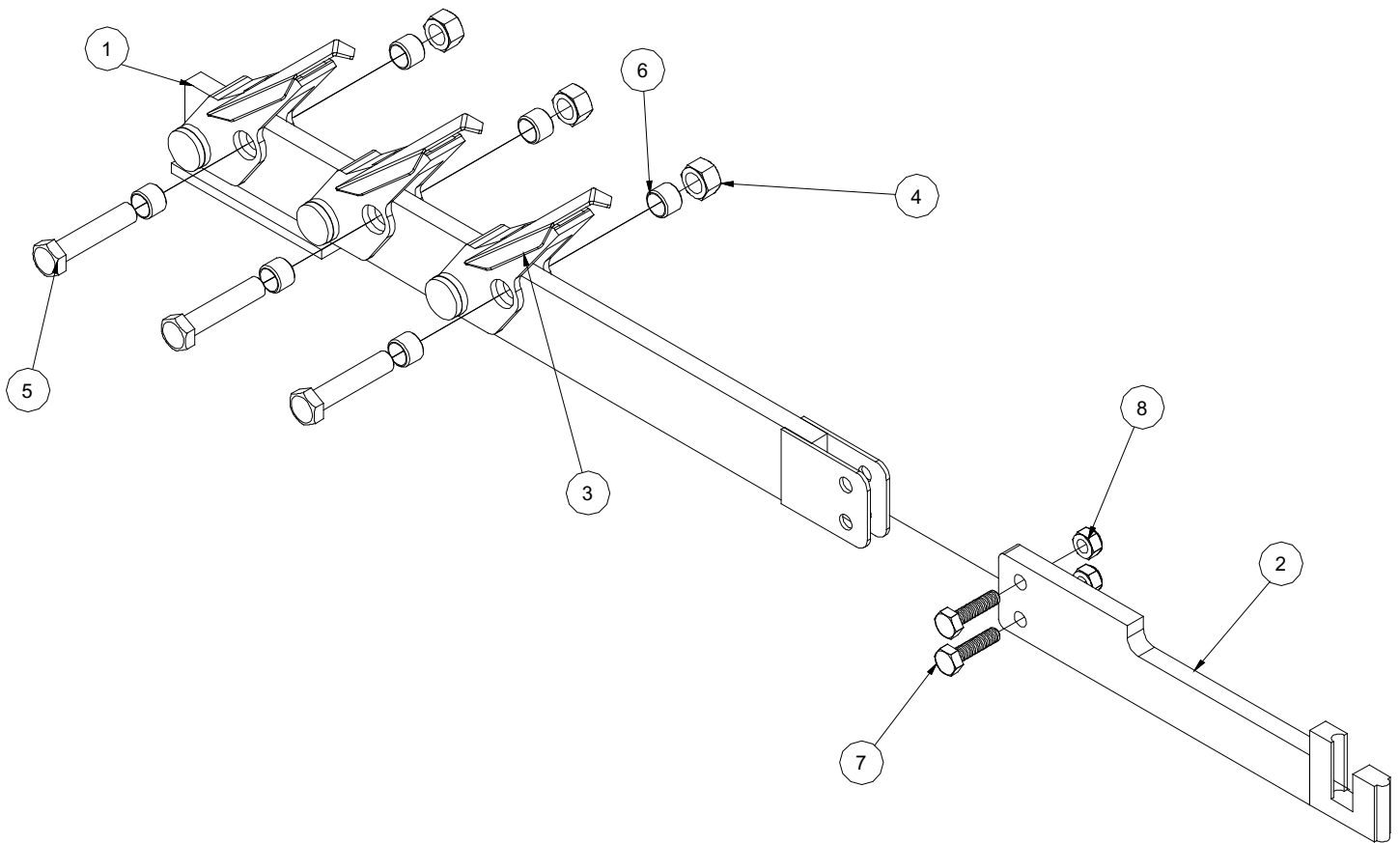
ITEM	QTY	DESCRIPTION	PART NUMBER
1	1	Hub, Drive	05700-011-67-97
2	1	Bearing, Roller	03120-011-71-81
3	1	Gear, 50/1 Drive Motor	06105-011-71-88
4	2	Coupling & Expansion Legs Weldment	05700-021-67-50
5	1	Block, Pillow	03120-021-71-87
6	1	Drive Support Weldment	05700-003-75-61
7	1	Socket, Drive	05700-021-67-39
8	1	Plate, Spacer	05700-011-67-58
9	1	Plate, Drive Rod	05700-021-67-42
10	1	Spring, Drive	05315-011-83-51
11	3	Washer, 1/2" Flat S/S	05311-011-71-93
12	1	Bolt, 1/2-13 x 1-3/4"	05305-011-71-94
13	12	3/8" Lockwasher	05311-276-01-00
14	8	Washer, 3/8" Flat S/S	05311-176-01-00
15	12	Nut, Hex 3/8-16 S/S	05310-276-01-00
16	4	Bolt, 3/8-16 x 1-3/4" Long	05306-011-36-94
17	4	3/8-16 x 1-3/4" Long	05306-011-71-60
18	2	Washer, S/S 1/4-20 (not shown)	05311-174-01-00
19	4	Locknut, 1/4-20 Hex w/Nylon Insert	05310-374-01-00
20	2	Bolt, Hex Head, 1/4-20 x 3/4"	05305-274-04-00
21	3	Lockwasher, Spring 1/4"	05311-274-01-00
22	1	Washer, 5/16-18 S/S	05311-175-01-00
23	1	Set Screw, 5/16-18 x 1/4"	05305-002-98-39
24	1	Collar, Shaft Conveyer Drive	05700-011-89-18
25	1	Drive Lever Weldment	05700-003-78-03
26	2	Screw, 10-32 x .75 Shoulder .25	05305-011-86-65
27	2	Screw, 1/4-20 x 5/8" S/S Hex Head	05305-274-24-00
28	1	Stud, 1/4-20 x 5.75" All Thread	05307-003-79-67
29	4	Nut, Hex 1/4-20	05310-274-01-00
30	1	Shield, Vent	05700-004-18-73





This illustration depicts a 23" Right to Left Unhooded Side-Loader. Differences in parts for the 23" Left to Right and both directions of the 30" Side-Loaders are reflected in the parts list.

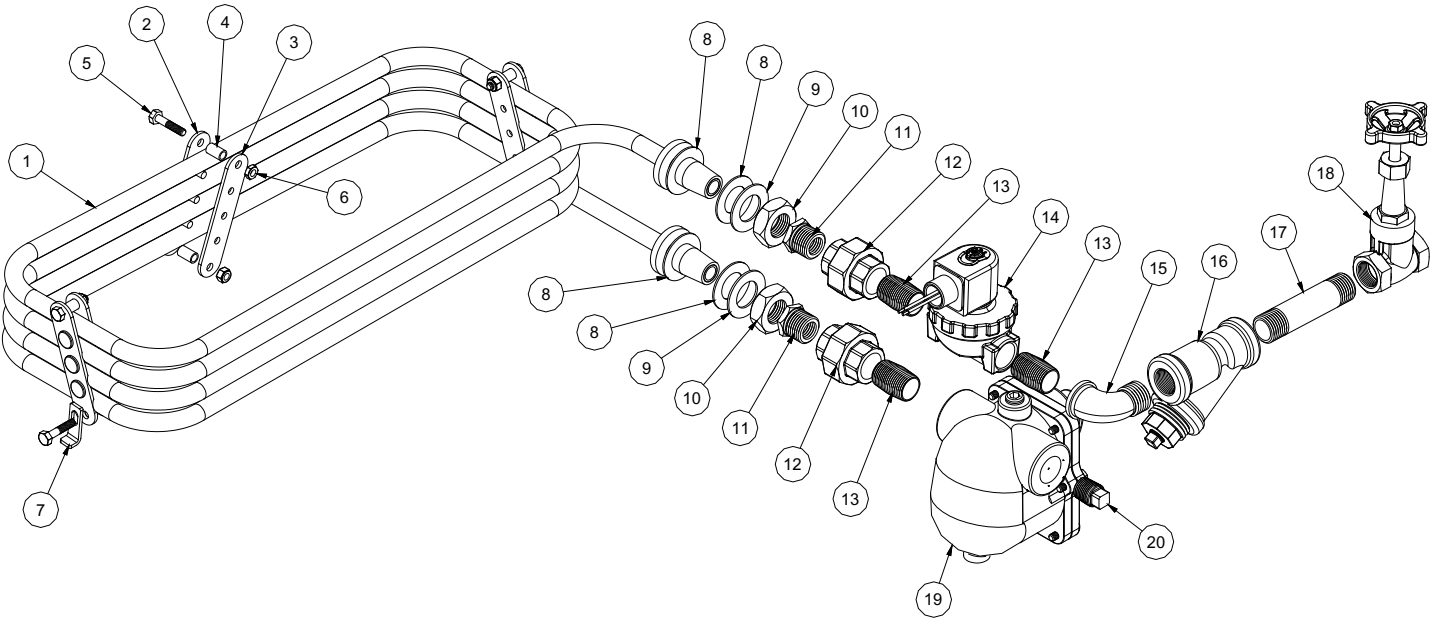
ITEM	QTY	DESCRIPTION	PART NUMBER
1	1	Tub Weldment, 23" Side-Loader L-R Tub Weldment, 23" Side-Loader R-L Tub Weldment, 30" Side-Loader L-R Tub Weldment, 30" Side-Loader R-L	05700-003-84-59 05700-003-84-58 05700-003-88-46 05700-003-88-39
2	1	Rack Support L-R	05700-003-90-00
3	1	Strainer	05700-021-85-10
4	1	Pawl Bar Drive Linkage (see side-loader drive linkage page)	05700-003-84-78
5	1	Actuator Switch Assembly	06401-003-89-96
6	2	Leg Socket	05700-002-56-14
7	2	Support Leg	05700-021-87-59
8	2	Foot, Adjustable	05340-108-01-03
9	1	Gutter, Pawl Bar	05700-021-66-86
10	1	Guide Block Top-Slotted	05700-011-69-49
11	1	Guide Block Bottom-Slotted	05700-011-69-50
12	1	Gasket, Drive Gutter	05330-011-68-55
13	1	Bracket, Loader Pawl Bar Support	05700-003-87-39
14	16	Washer, 1/4" S/S	05311-174-01-00
15	4	Bolt, 1/4-20 x 1/2" Long	05305-274-02-00
16	39	Locknut, 1/4-20 Hex w/Nylon Insert	05310-374-01-00
17	2	Roller	05700-011-68-16
18	2	Screw, 1/4-20 x 1-3/4" Long Hex Head	05305-274-10-00
19	2	Roller Shaft	05700-011-68-14
20	1	Bracket, Limit Switch	05700-021-71-18
21	1	Terminal Board	05940-011-84-41
22	1	Switch Assembly, Side-Loader, 24VDC	05700-003-87-43
23	1	Cover, Side-Loader Switch	05700-003-87-41
24	2	Locknut, 6-32 Hex w/Nylon Insert	05310-373-03-00
25	*NOTE	Drain Hose, Polybraid 1" (*SEE NOTE ON PG. 55)	*04720-011-69-16
26	2	Hose Clamp (Range: 13/16" to 1-1/2")	04730-719-06-09
27	1	Drain Fitting Weldment	05700-021-84-61
28	1	Tee, 1-1/2" Brass	04730-011-69-93
29	1	Nipple, 1-1/2" Close Brass	04730-207-40-00
30	1	Elbow, 90 Deg Street, Brass 1-1/2"	04730-206-32-00
31	*NOTE	Conduit, 1/2" Flex 2 (*SEE NOTE ON PG. 55)	*05975-003-33-36
32	3	Clamp, 1" Nylon	04730-002-41-88
33	2	Fitting, 1/2" Straight Twist/Snap	05975-003-33-27



ITEM	QTY	DESCRIPTION	PART NUMBER
1	1	Pawl Bar, Side-Loader	05700-021-86-88
2	1	Drive Linkage, Side-Loader	05700-001-99-16
3	3	Pawl Dog w/Wing	05700-021-86-79
4	3	Locknut, 3/8-16 w/Nylon Insert	05310-011-72-55
5	3	Bolt, 3/8-16 x 1-3/4" Long Hex Head	05306-011-36-94
6	6	Spacer, Pawl Bar Dog	05700-011-71-45
7	3	Screw, 1/4-20 x 1" Long Hex Head	05305-274-27-00
8	3	Locknut, 1/4-20 Hex w/Nylon Insert	05310-374-01-00

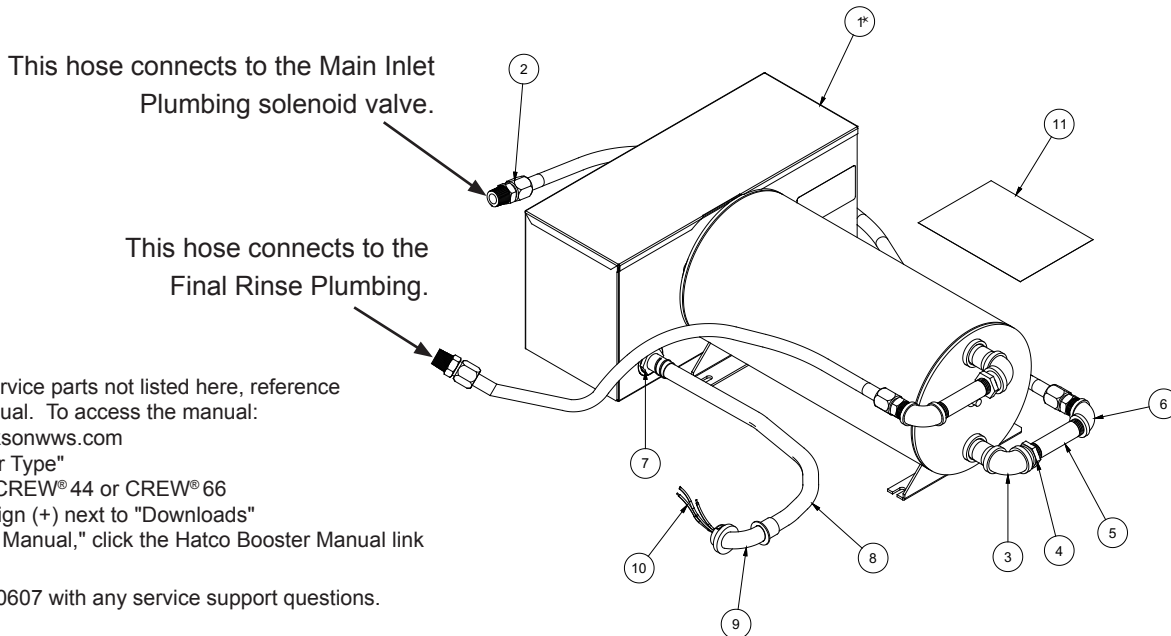
STEAM-HEATING COIL ASSEMBLY

PARTS



ITEM	QTY	DESCRIPTION	PART NUMBER
1	1	Steam Coil Weldment	05700-003-83-70
2	3	Steam Coil Spacer Weldment	05700-003-83-33
3	3	Plate, Steam Coil Spacer	05700-003-83-32
4	6	Sleeve, 1/4" x 5/8" Long	05700-003-83-35
5	6	Bolt, 1/4-20 x 1-1/4 Hex Head	05305-274-22-00
6	6	Locknut, 1/4-20 Low Profile w/Nylon Insert	05310-374-02-00
7	1	Bracket, Steam Coil Adjustment	05700-003-83-79
8	4	Gasket, Steam Coil	05700-001-17-86
9	2	Washer, Steam Coil Adapter	05700-001-17-87
10	2	Nut, Steam Coil Adapter	05310-011-17-85
11	2	Reducer, 3/4" x 1/2" Black Iron	04730-911-02-34
12	2	Union, 3/4" Black Iron	04730-912-01-00
13	3	Nipple, Close 3/4" Black Iron	04730-907-01-00
14	1	Valve, 3/4" Steam 110V Coil	04820-011-87-39
15	1	Elbow, 3/4" Street, Black Iron	04730-011-87-37
16	1	Y-Strainer, 3/4" Steam	04730-217-01-32
17	1	Nipple, 3/4" x 4" Long, Black Iron	04730-907-02-34
18	1	Valve, Gate 3/4" Steam	04820-100-19-00
19	1	Trap, Steam 3/4"	06680-500-02-77
20	1	Plug, 3/4" Square Head, Black Iron	04730-002-86-59

BOOSTER HEATER OPTION (ELECTRIC)



This hose connects to the Main Inlet Plumbing solenoid valve.

This hose connects to the Final Rinse Plumbing.

*For Booster Heater service parts not listed here, reference the Hatco Booster Manual. To access the manual:

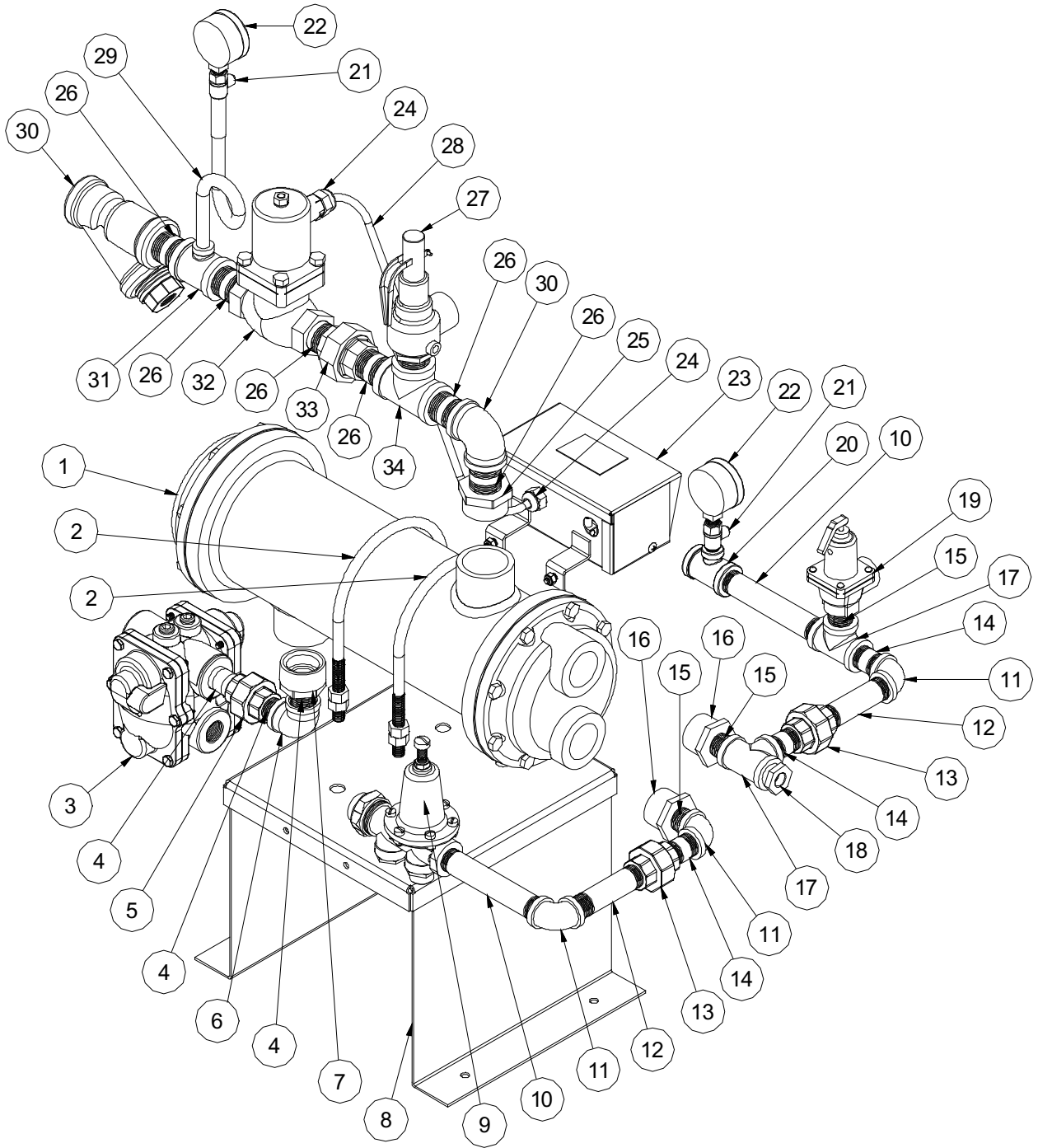
1. Go to www.jacksonwvs.com
2. Click "Conveyor Type"
3. Choose either CREW® 44 or CREW® 66
4. Click the plus sign (+) next to "Downloads"
5. Under "Service Manual," click the Hatco Booster Manual link

Call Hatco at 800-558-0607 with any service support questions.

ITEM	QTY	DESCRIPTION	PART NUMBER
1*	1	Booster Heater	See Chart Below
2	2	Hose, 1/2" x 42" S/S Braided	04720-003-76-09
3	2	Elbow, 3/4" 90 Deg. Brass	04730-206-13-00
4	2	Bushing, 3/4" x 1/2" Hex Brass	04730-002-56-27
5	2	Nipple, 1/2" x 4" Long Brass	04730-207-04-00
6	2	Elbow, 1/2" 90 Deg. Brass	04730-011-42-96
7	1	Fitting, 3/4" Straight QT Snap	05975-003-77-46
8	1	Conduit, 1/2" x 24" Long	05700-003-79-40
9	1	Fitting, 3/4" 90 Deg. QT Snap	05975-003-77-45
10	3	Wire, 10AWG, Fiberglass, 3'	06145-003-13-97
11	1	Schematic (Refer to Booster Heater Schematic Pages)	

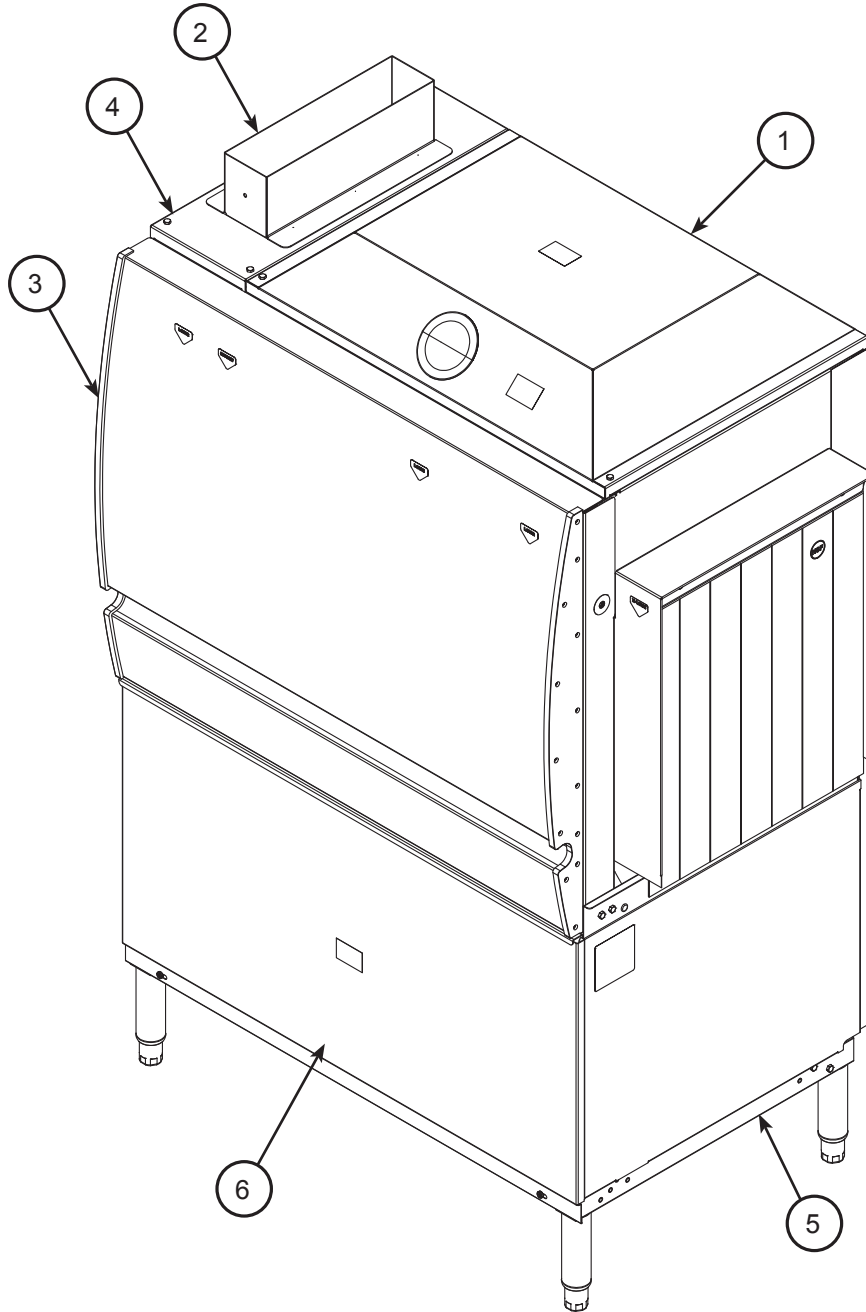
BOOSTER HEATER	PART NUMBER
12 kW (40 degree F Rise) 208V, 3-Phase	04540-003-76-58
12 kW (40 degree F Rise) 240V, 3-Phase	04540-003-76-60
12 kW (40 degree F Rise) 480V, 3-Phase	04540-003-76-62
12 kW (40 degree F Rise) 208V, 1-Phase	04540-003-76-57
12 kW (40 degree F Rise) 240V, 1-phase	04540-003-76-59
17.3 kW (70 degree F Rise) 208V, 3-Phase	04540-003-76-64
18 kW (70 degree F Rise) 240V, 3-Phase	04540-003-76-66
18 kW (70 degree F Rise) 480V, 3-Phase	04540-003-76-68
18 kW (70 degree F Rise) 208V, 1-Phase	04540-003-76-63
18 kW (70 degree F Rise) 240V, 1-Phase	04540-003-76-64

BOOSTER HEATER OPTION (STEAM)

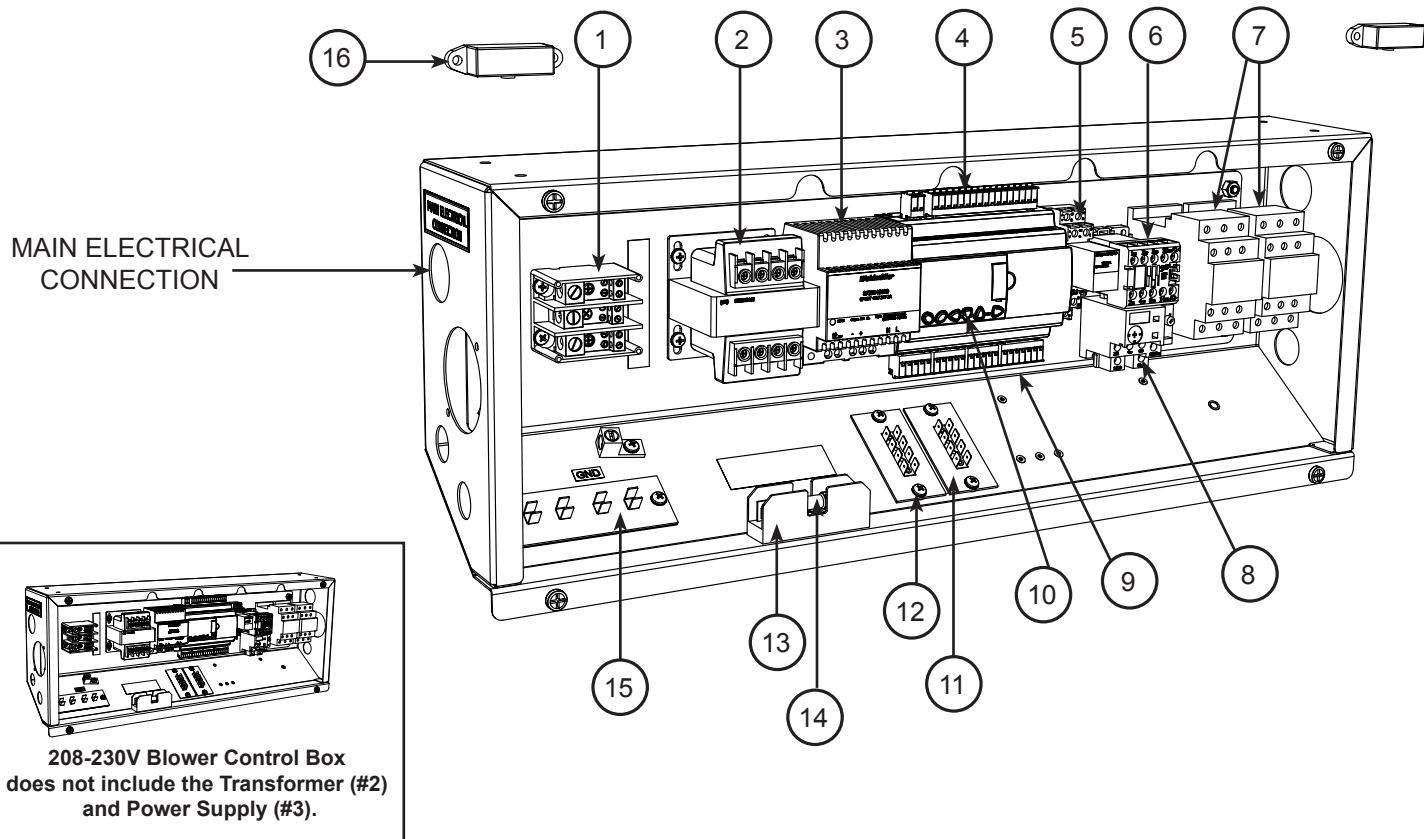


ITEM	QTY	DESCRIPTION	PART NUMBER
1	1	Steam Booster Heater, ST-T120	04420-002-43-94
2	2	U-Bolt, 1/2-13 Thread, Zinc Coated	05306-002-89-27
3	1	Steam Trap, 3/4"	06680-500-02-77
4	3	Nipple, Close 3/4" Black Iron	04730-907-01-00
5	1	Union, 3/4" Black Iron	04730-912-01-00

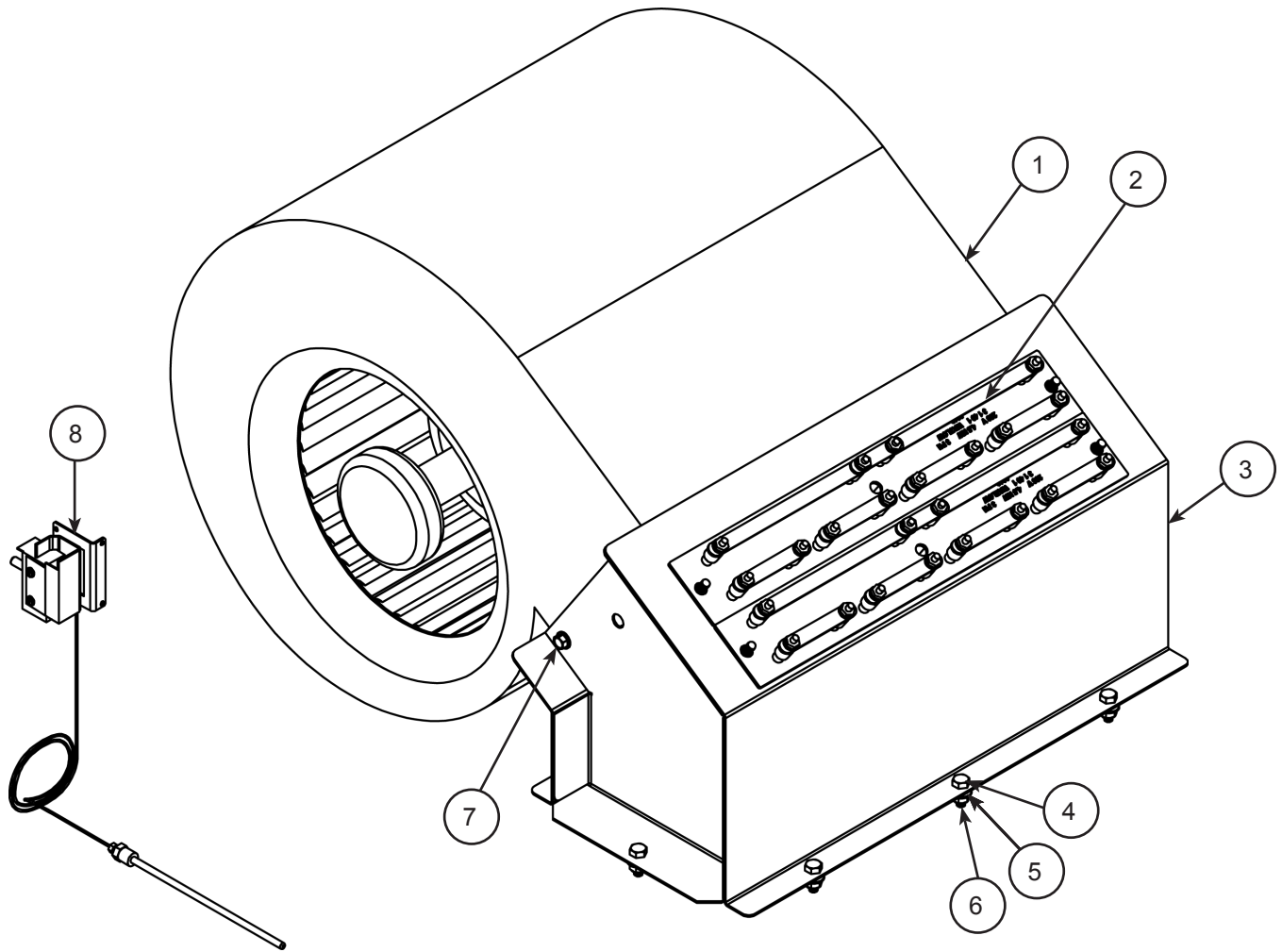
ITEM	QTY	DESCRIPTION	PART NUMBER
6	1	Elbow, 90 Deg. 3/4" Black Iron	04730-906-10-34
7	1	Reducer, 1-1/2" x 3/4" Black Iron	04730-002-36-81
8	1	Platform, J120 Steam Booster	05700-002-36-72
9	1	Regulating Valve, 3/4"	04820-100-01-06
10	2	Nipple, 3/4" x 6" Long Brass	05700-001-26-74
11	3	Elbow, 90 Deg. 3/4" Brass	04730-206-13-00
12	2	Nipple, 3/4" x 4" Long Brass	04730-207-05-00
13	2	Union, 3/4" Brass	04730-212-02-00
14	3	Nipple, 3/4" x 2" Long Brass	04730-207-46-00
15	3	Nipple, Close, 3/4" x 1-3/8" Brass	04730-207-34-00
16	2	Bushing, Hex, 1-1/4" x 3/4" Reducer	04730-011-88-80
17	2	Tee, Brass, 3/4" x 3/4" x 3/4"	04730-211-01-34
18	1	Adapter, 3/8" x 3/4" Brass	04730-011-89-19
19	1	Valve, Steam Relief, 3/4"	04820-100-07-06
20	1	Tee, Brass, 3/4" x 3/4" x 1/4"	04730-211-04-00
21	2	Valve, Ball Test Cock 1/4" Bronze	04810-011-72-67
22	2	Pressure Gauge, 1/4", 0-100 PSI	06685-111-88-34
23	1	Control, J120 Assembly (Major Components Listed Below)	05700-002-98-95
23A		Thermostat, Corkscrew	06680-500-01-77
23B		Switch	05930-011-49-55
23C		Light, Red Indicating	05945-111-21-57
23D		Terminal Block, 2-Pole	05940-500-09-61
23F		Ground Lug	05940-200-76-00
24	2	Fitting	05975-011-49-03
25	1	Reducer, 1-1/2" x 1" Black Iron	04730-002-36-79
26	6	Nipple, Close 1" x 2" Black Iron	04730-907-08-34
27	1	Elbow, 1", 90 Deg. Black Iron	04730-906-03-34
28	1	Valve, Safety Relief, 1"	04850-100-01-35
29	1	Siphon Tube, Pigtail 1/4" Black Iron	04730-907-14-34
30	1	Coupling, 1/4" Black Iron	04730-904-01-04
31	1	Tee, 1" x 1" x 1/4", Black Iron	04730-911-01-00
32	1	Y-Strainer, 1" Steam Black Iron	04730-217-02-32
33	1	Union, 3/4" Brass	04730-912-01-00
34	1	Valve, 120V, 1" Bronze Steam	04810-002-92-23
35	1	Union, 1" Black Iron	04730-912-01-34
36	1	Tee, 1" Black Iron	04730-911-01-34



ITEM	QTY	DESCRIPTION	PART NUMBER
1	1	Cover, Blower Assembly	05700-004-01-97
2	1	Ventilation Duct Adapter, Weldment	05700-003-75-73
3	1	DOOR ASSEMBLY, BLOWER	05700-004-00-32
4	1	PANEL WELDMENT, EXHAUST TOP	05700-004-00-61
5	1	PANEL, BLOWER TUB SIDE RIGHT	05700-004-03-93
6	1	Panel, Front Dress	05700-004-01-99
	1	Panel, Blower Hood, Back (not shown)	05700-004-04-38
	1	Panel, Blower Tub Rack (not shown)	05700-004-03-91



ITEM	QTY	DESCRIPTION	PART NUMBER
1	1	Terminal Block, 115A, 600V	05940-004-08-35
2	1	Transformer, 208/230/460 to 120 (0.05 KVA)	05940-004-09-18
3	1	Power Supply, 120V, 24VDC, 2A	05950-003-76-32
4	1	Terminals	05700-004-05-08
5	1	Relay Socket, 16A, 300V	05945-003-79-58
6	1	Contactor, 24VDC, 460V, 5HP	05945-003-75-22
7	2	Heater Contactor, 600V, 25A, 24VDC Coil	05945-004-10-63
8	1	Overload, Blower Motor, 460V Overload, Blower Motor, 208V	05945-003-75-17 05945-111-68-40
9	1	Relay, DPDT 24VDC	05945-003-79-57
10	1	PLC	05945-004-01-05
11	2	Terminal Board	05940-021-94-85
12	19	Screw, 10-32 x 1/2" Phillips Pan Head w/Washer	05305-002-32-37
13	1	Holder	05920-011-72-89
14	1	Fuse, 1/2" Amp	05920-011-72-88
15	1	Terminal Board	05940-021-70-74
16	2	Switch	05930-003-76-51

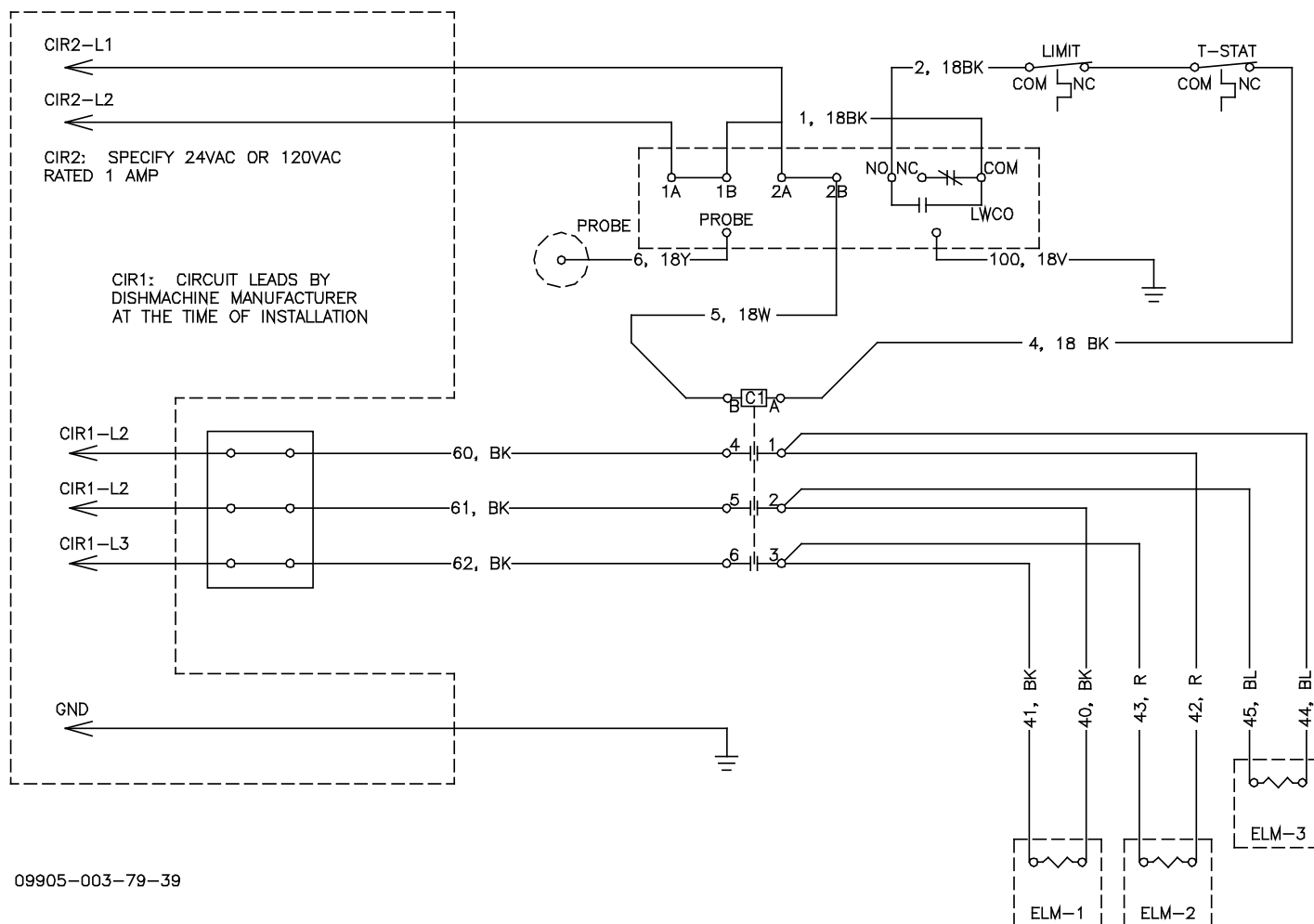


ITEM	QTY	DESCRIPTION	PART NUMBER
1	1	Blower, 208-230V, 60Hz Dual Cage Blower, 265-460V, 60Hz Dual Cage	06105-002-72-15 06105-002-88-36
2	2	Heater, 4.5kW, 208V Blower Air	04540-002-74-29
3	1	Blower Heater Box, Weldment	05700-004-00-72
4	8	Bolt, Hex Head 1/4-20 x 3/4"	05305-274-04-00
5	8	Washer, S/S, 1/4-20 I.D.	05311-174-01-00
6	8	Locknut, 1/4-20 Hex w/Nylon Insert	05310-374-01-00
7	4	Screw, Self-Drilling, 1/4-14 x 1	05305-003-93-74
8	1	Thermostat, High Limit, 350 Deg. F	05930-003-92-41

USE THIS SCHEMATIC FOR THE FOLLOWING BOOSTER HEATER OPTIONS:

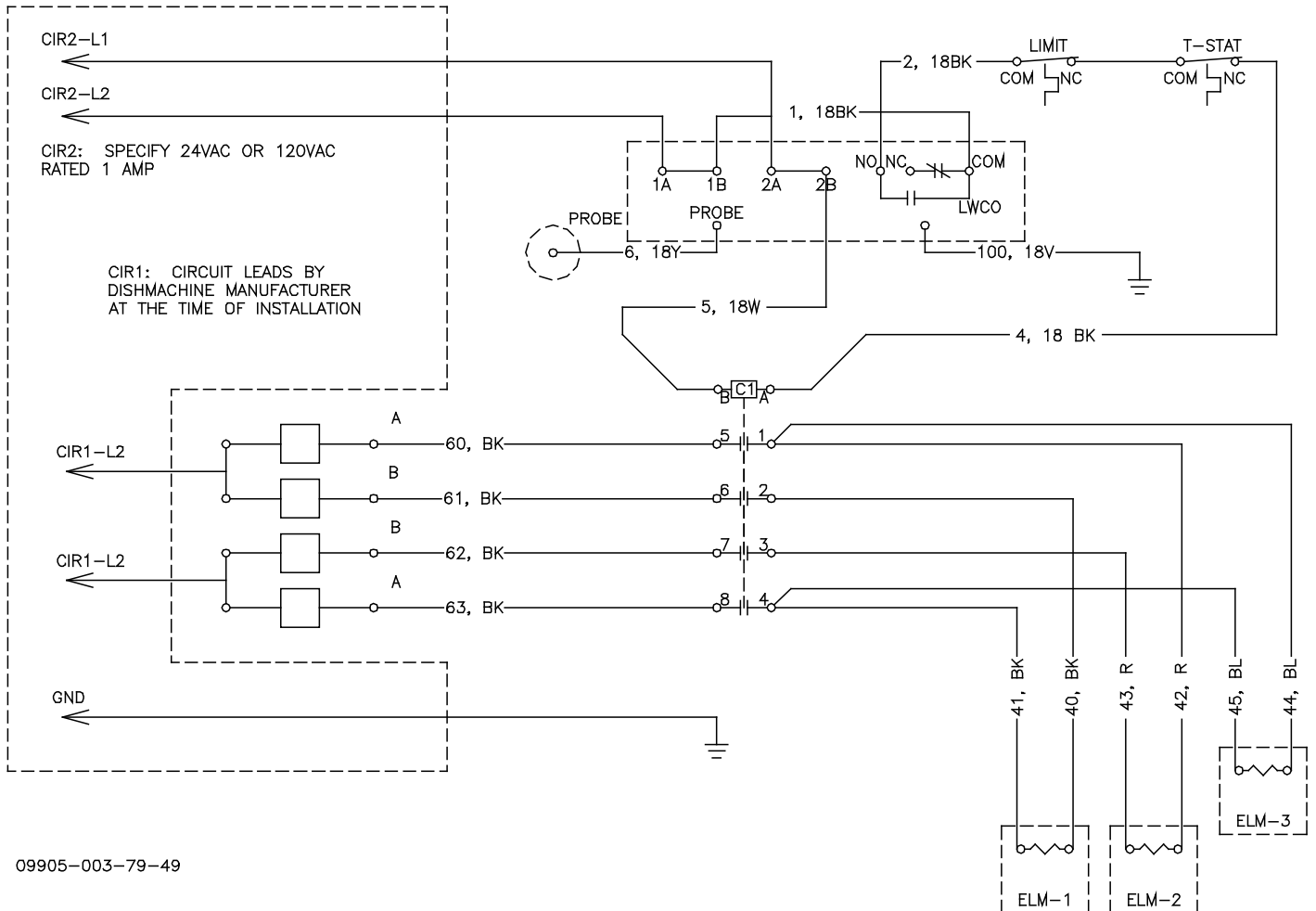
- 208V, 60Hz, 3-Phase, 12 kW, 40° Rise
- 230V, 60Hz, 3-Phase, 12 kW, 40° Rise
- 460V, 60Hz, 3-Phase, 12 kW, 40° Rise

- 208V, 60Hz, 3-Phase, 18 kW, 70° Rise
- 230V, 60Hz, 3-Phase, 18 kW, 70° Rise
- 460V, 60Hz, 3-Phase, 18 kW, 70° Rise



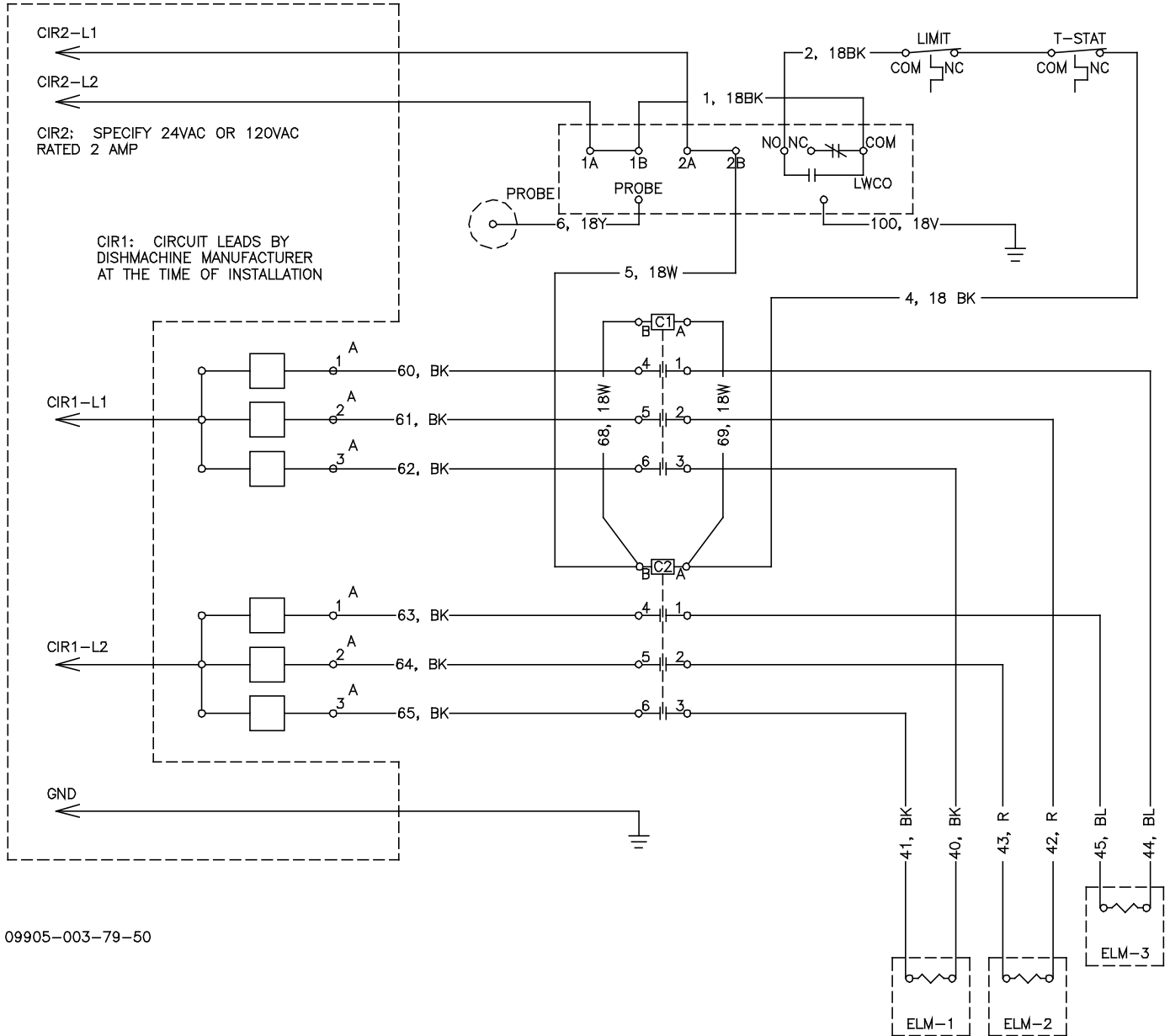
USE THIS SCHEMATIC FOR THE FOLLOWING BOOSTER HEATER OPTIONS:

- 208V, 60Hz, 1-Phase, 12 kW, 40° Rise
- 230V, 60Hz, 1-Phase, 12 kW, 40° Rise

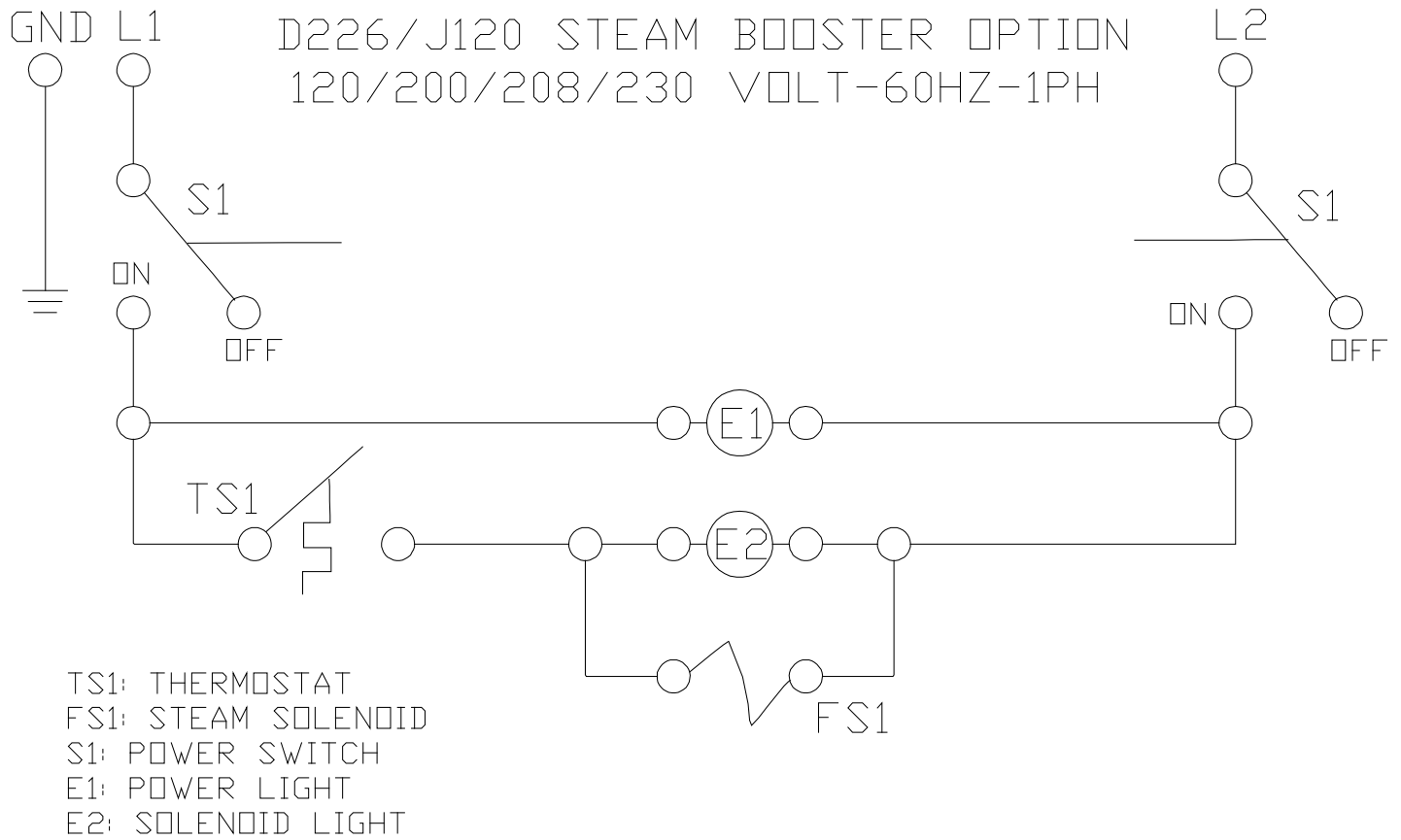


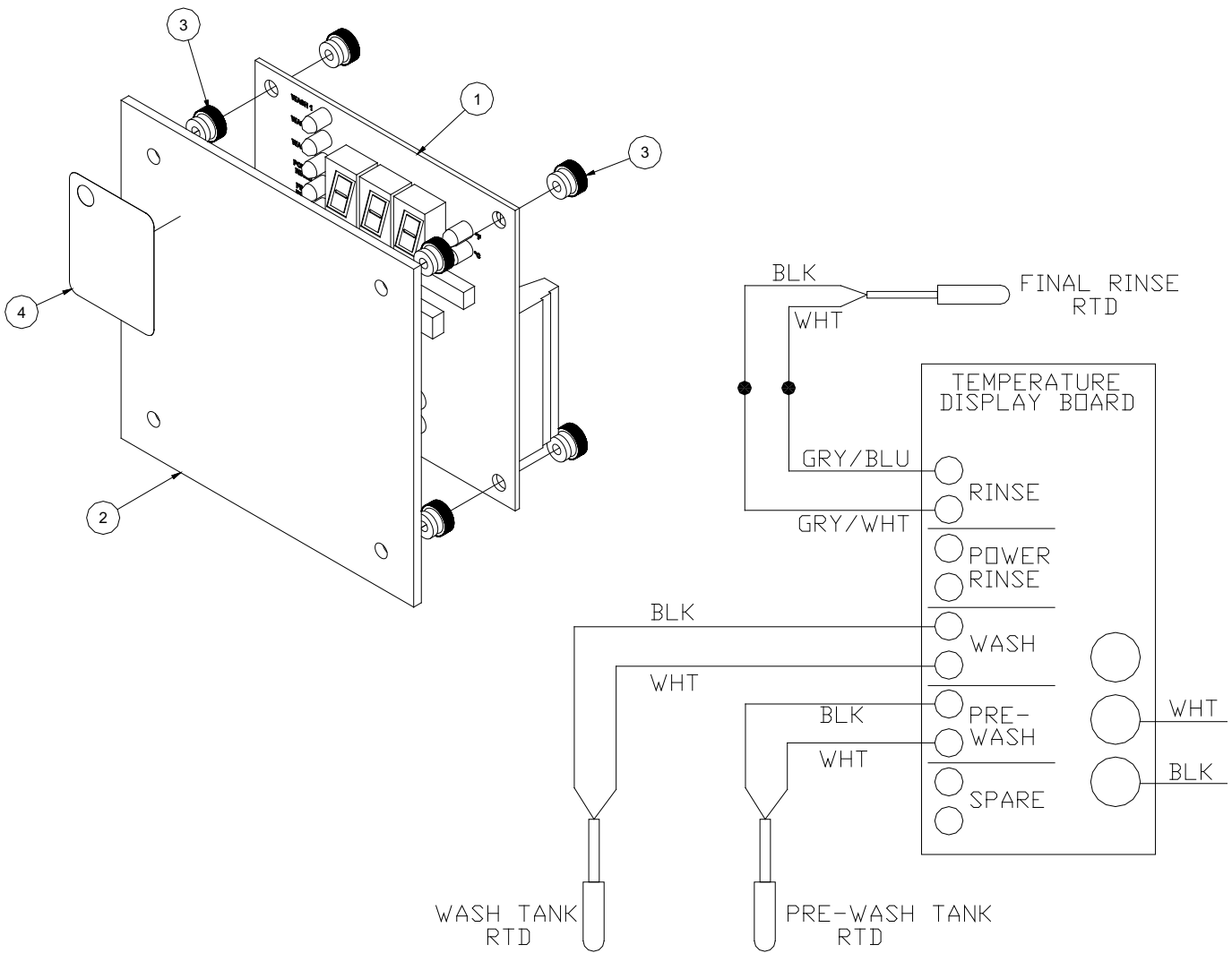
USE THIS SCHEMATIC FOR THE FOLLOWING BOOSTER HEATER OPTIONS:

- 208V, 60Hz, 1-Phase, 18 kW, 70° Rise
- 230V, 60Hz, 1-Phase, 18 kW, 70° Rise

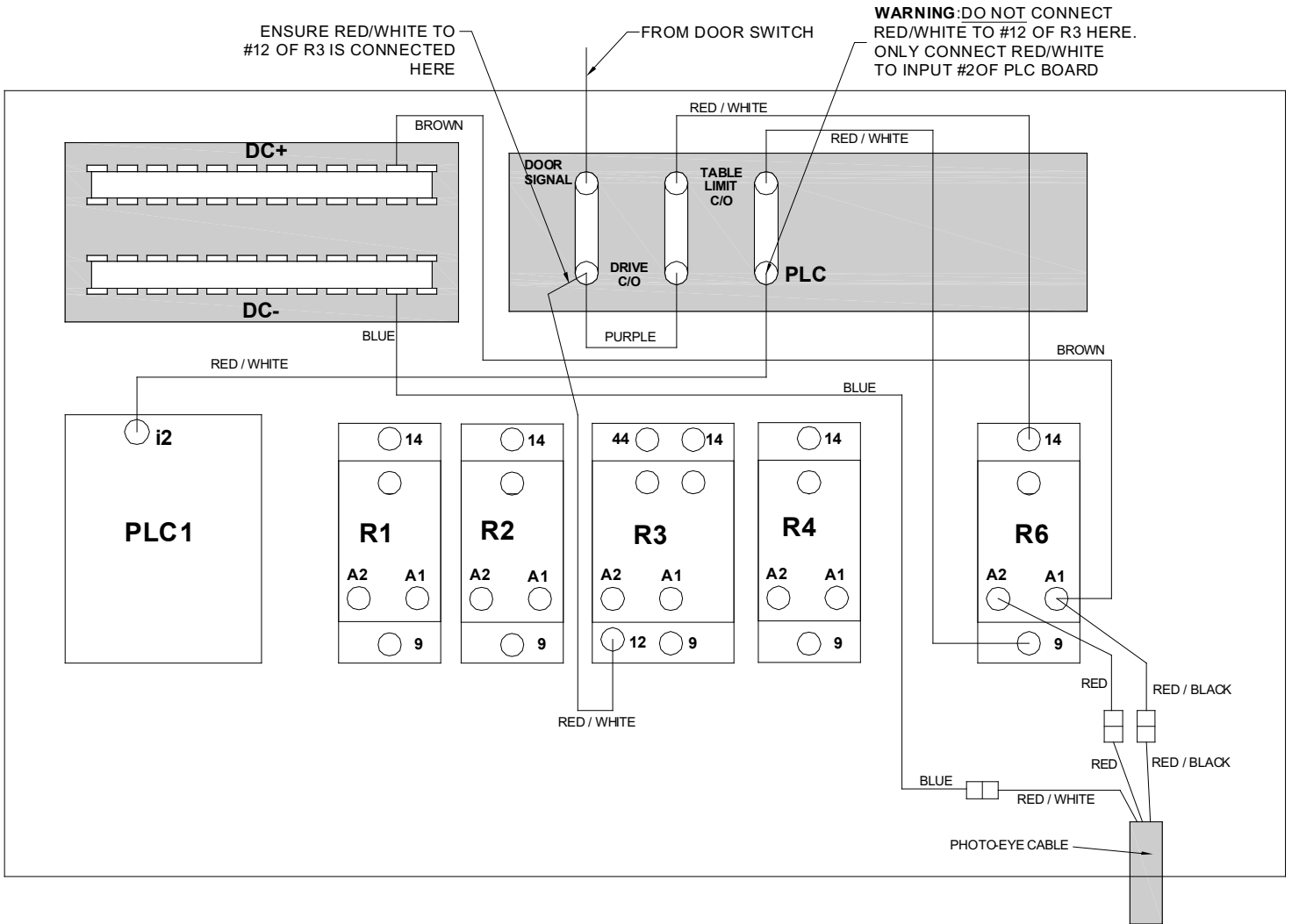


09905-003-79-50



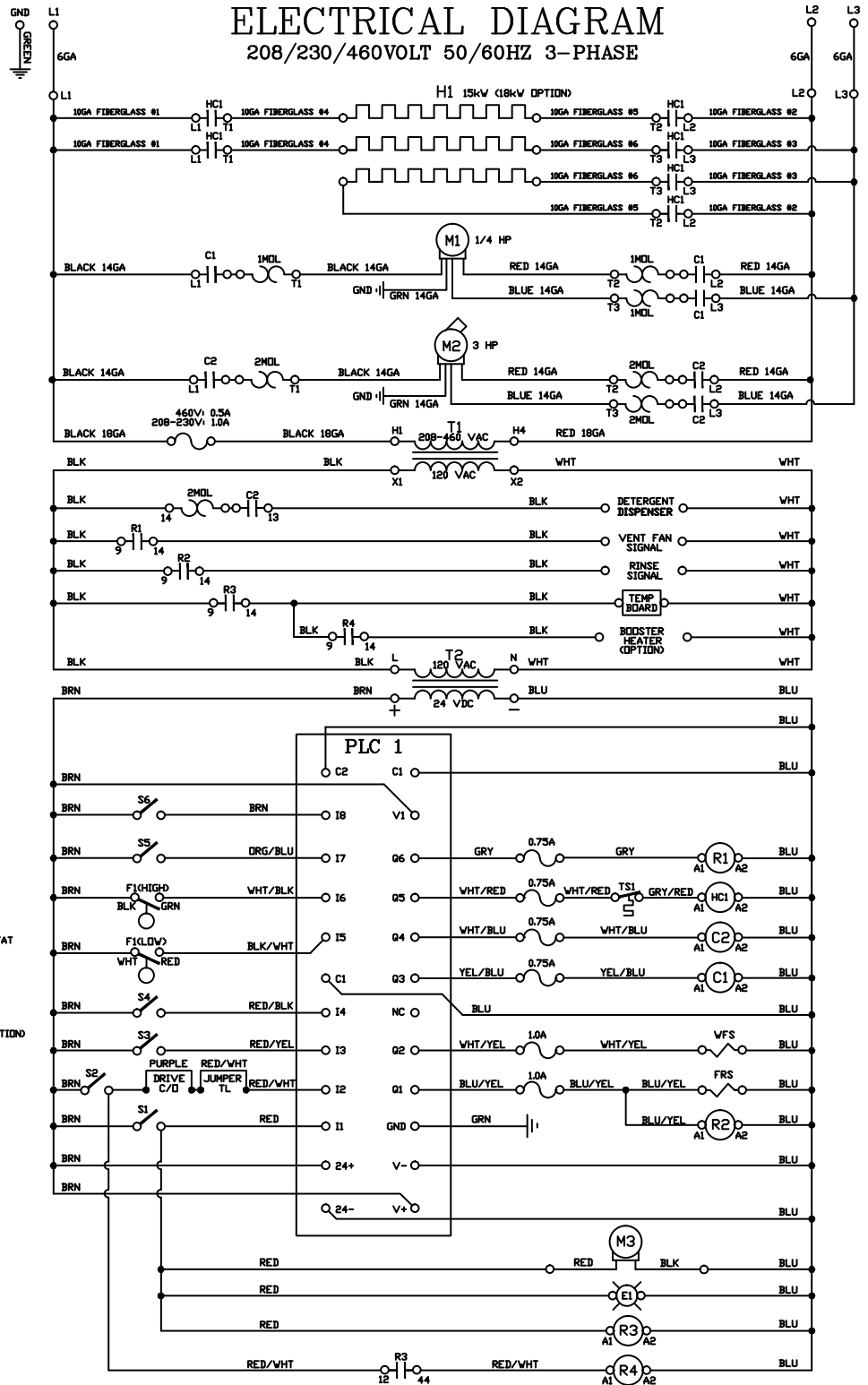


ITEM	QTY	DESCRIPTION	PART NUMBER
1	1	Cyclic Temperature Board	06685-002-74-86
2	1	Gauge Cover, Red	05700-002-75-62
3	8	Nut, Thumb 6-32 Nylon	05310-002-83-12
4	1	Decal, Temperature Display	09905-003-78-29
5	2 (44") 3 (66")	RTD Temperature Probe (not shown)	06680-002-16-80



208/230/460 VOLT, 60 HZ, 3-PHASE

ELECTRICAL DIAGRAM
208/230/460VOLT 50/60HZ 3-PHASE



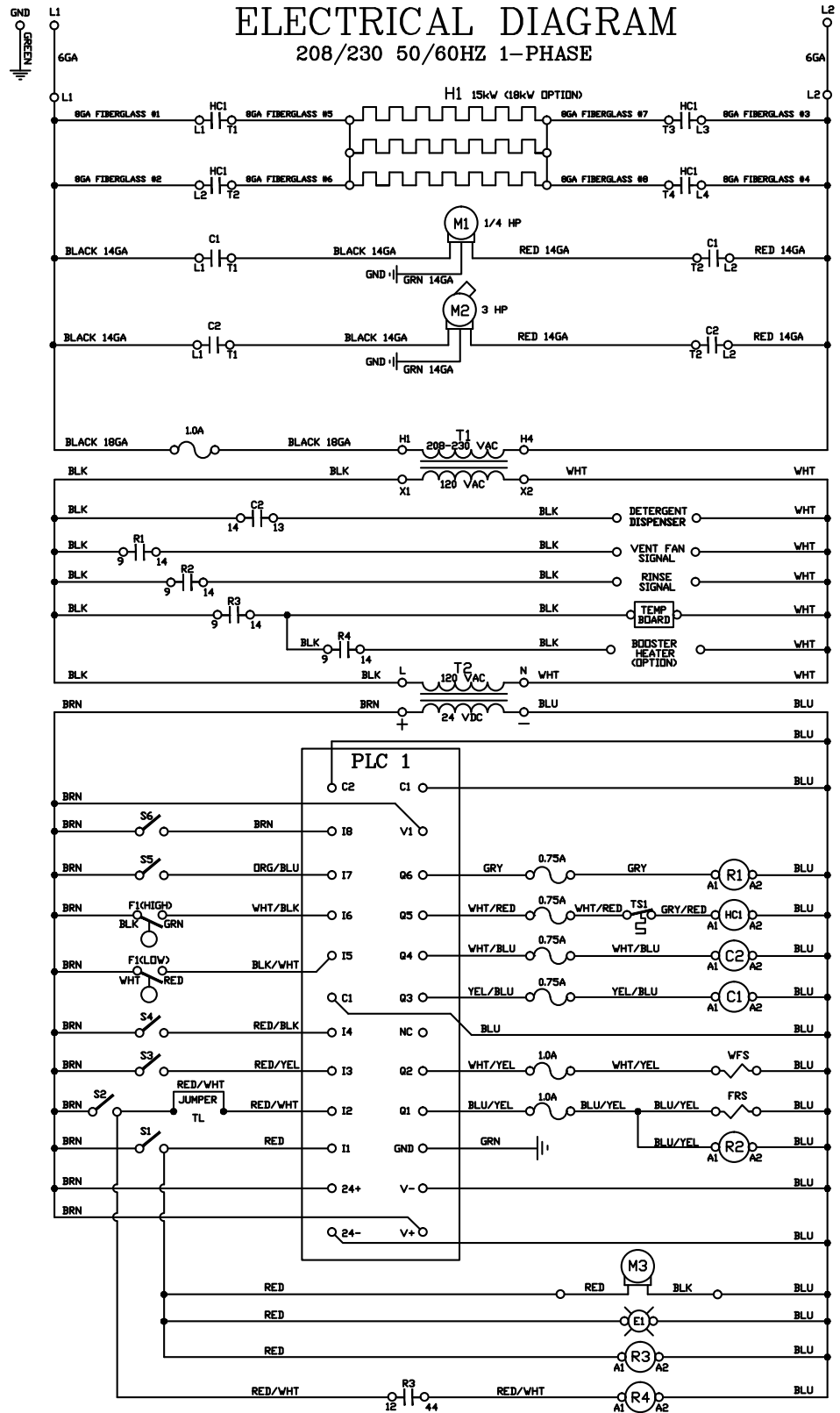
LEGEND

- | | |
|-----------------------------------|----------------------------------|
| L1 L2 L3 POWER DISTRIBUTION BLOCK | E1 POWER LIGHT |
| GND GROUND | TS1 WASH REGULATING THERMOSTAT |
| H1 WASH HEATER | WFS WASH FILL SOLENOID |
| M1 DRIVE MOTOR | FRS FINAL RINSE SOLENOID |
| M2 WASH PUMP MOTOR | R1 VENT FAN RELAY |
| M3 CONTROL BOX FAN (24VDC) | R2 RINSE SIGNAL RELAY |
| IMDL DRIVE MOTOR OVERLOAD | R3 TEMPERATURE BOARD RELAY |
| 2MDL WASH PUMP MOTOR OVERLOAD | R4 BOOSTER HEATER RELAY (OPTION) |
| S1 POWER SWITCH | H1 WASH HEAT CONTACTOR |
| S2 DOOR SAFETY SWITCH | C1 DRIVE MOTOR CONTACTOR |
| S3 RACK INLET SWITCH | C2 WASH MOTOR CONTACTOR |
| S4 FINAL RINSE SWITCH | PLC1 LOGIC CONTROL BOARD |
| S5 DELINE SWITCH | TL TABLE LIMIT (OPTION) |
| S6 SIDE-LOADER SWITCH (OPTIONAL) | |
| T1 TRANSFORMER (208-460V TO 120V) | |
| T2 TRANSFORMER (120V TO 24VDC) | |

09905-003-75-52

208/230 VOLT, 60 HZ, 1-PHASE

ELECTRICAL DIAGRAM 208/230 50/60HZ 1-PHASE



LEGEND

L1 L2 POWER DISTRIBUTION BLOCK

GND GROUND

H1 WASH HEATER

M1 DRIVE MOTOR

M2 WASH PUMP MOTOR

M3 CONTROL BOX FAN (24VDC)

S1 POWER SWITCH

S2 DDR SAFETY SWITCH

S3 RACK INLET SWITCH

S4 FINAL RINSE SWITCH

S5 DELTME SWITCH

S6 SIDE LOADER SWITCH (OPTIONAL)

T1 TRANSFORMER (208-460V TO 120V)

T2 TRANSFORMER (120V TO 24VDC)

E1 POWER LIGHT

TS1 WASH REGULATING THERMOSTAT

FRS WASH FILL SOLENOID

VFS FINAL RINSE SOLENOID

R1 VENT FAN RELAY

R2 RINSE SIGNAL RELAY

R3 TEMPERATURE BOARD RELAY

R4 BOOSTER HEATER RELAY (OPTION)

HC1 WASH HEAT CONTACTOR

C1 DRIVE MOTOR CONTACTOR

C2 WASH MOTOR CONTACTOR

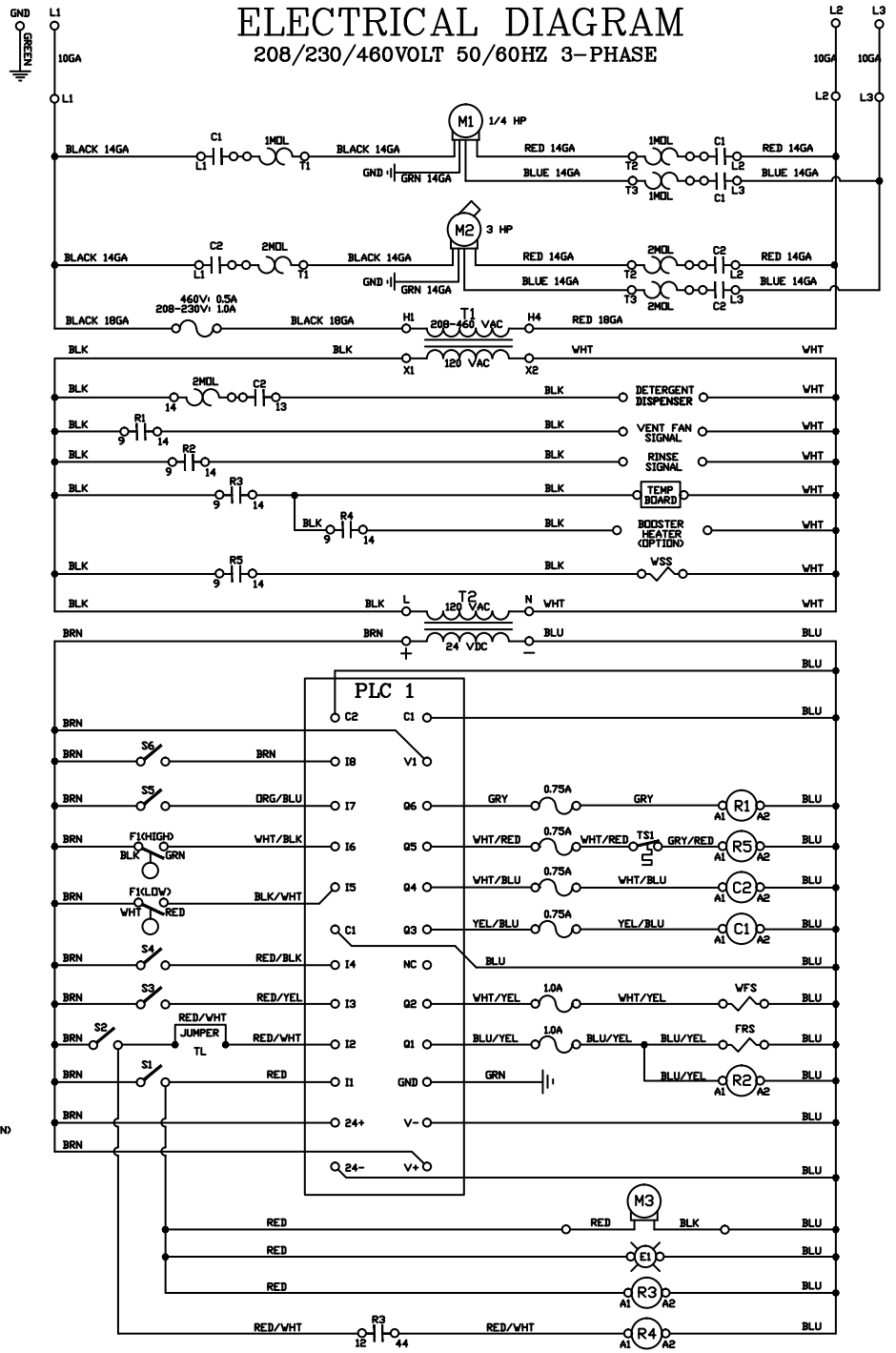
PLC1 LOGIC CONTROL BOARD

TL TABLE LIMIT (OPTION)

09905-003-79-33

208/230/460 VOLT, 60 HZ, 3-PHASE

ELECTRICAL DIAGRAM
208/230/460VOLT 50/60HZ 3-PHASE



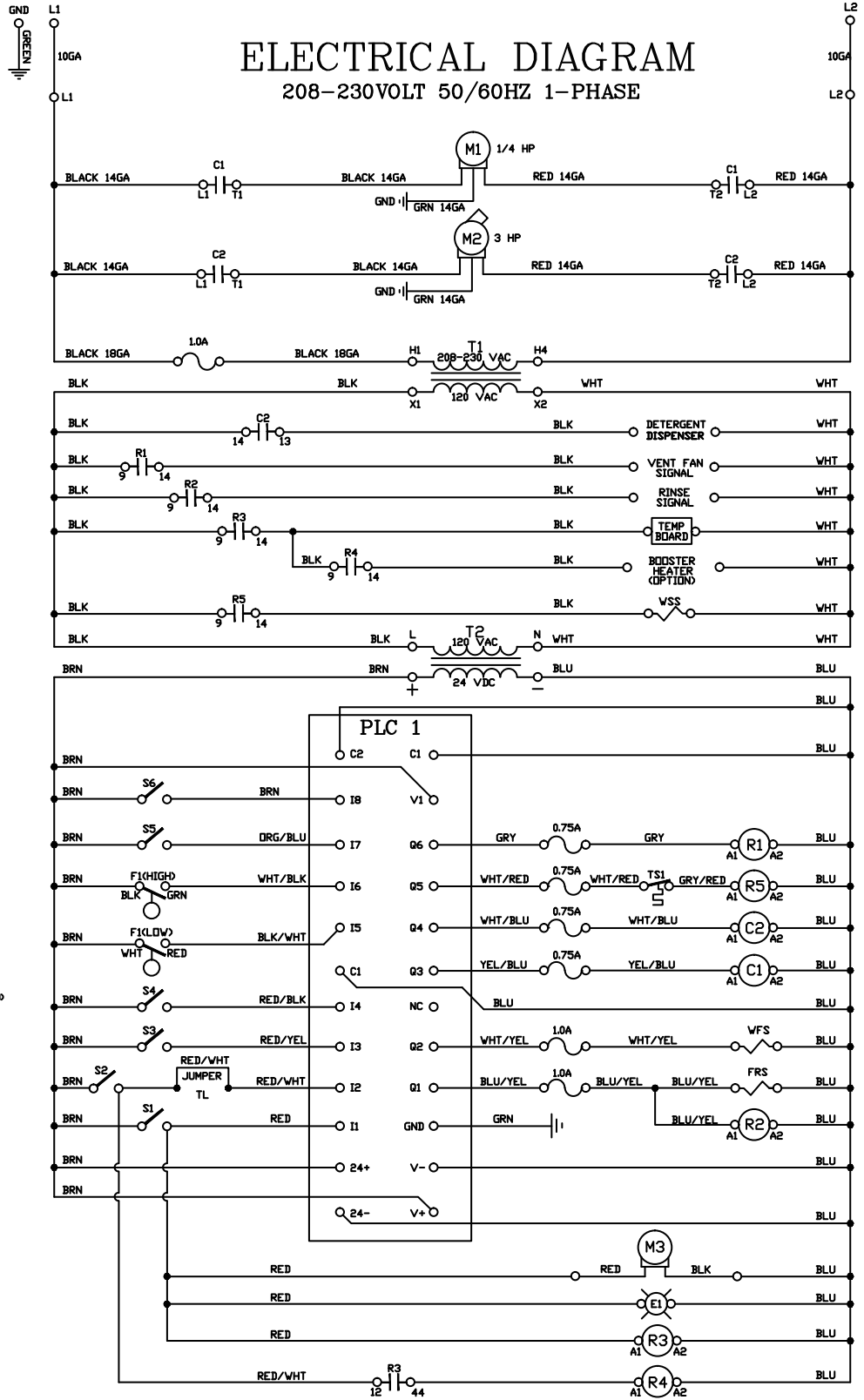
LEGEND

- | | |
|-----------------------------------|----------------------------------|
| L1 L2 L3 POWER DISTRIBUTION BLOCK | E1 POWER LIGHT |
| GND GROUND | TS1 WASH REGULATING THERMOSTAT |
| M1 DRIVE MOTOR | VSS WASH TANK STEAM SOLENOID |
| M2 WASH PUMP MOTOR | VFS WASH FILL SOLENOID |
| M3 CONTROL BOX FAN (24VDC) | FRS FINAL RINSE SOLENOID |
| M3 DRIVE MOTOR OVERLOAD | R1 VENT FAN RELAY |
| 1MOL DRIVE MOTOR OVERLOAD | R2 RINSE SIGNAL RELAY |
| 2MOL WASH PUMP MOTOR OVERLOAD | R3 TEMPERATURE BOARD RELAY |
| S1 POWER SWITCH | R4 BOOSTER HEATER RELAY (OPTION) |
| S2 DOOR SAFETY SWITCH | R5 WASH TANK STEAM RELAY |
| S3 RACK INLET SWITCH | C1 DRIVE MOTOR CONTACTOR |
| S4 FINAL RINSE SWITCH | C2 WASH MOTOR CONTACTOR |
| S5 DELINE SWITCH | PLC1 LOGIC CONTROL BOARD |
| S6 SIDE-LOADER SWITCH (OPTIONAL) | TL TABLE LIMIT (OPTION) |
| T1 TRANSFORMER (208-460V TO 120V) | |
| T2 TRANSFORMER (120V TO 24VDC) | |

09905-003-79-52

208/230 VOLT, 60 HZ, 1-PHASE

ELECTRICAL DIAGRAM 208-230VOLT 50/60HZ 1-PHASE

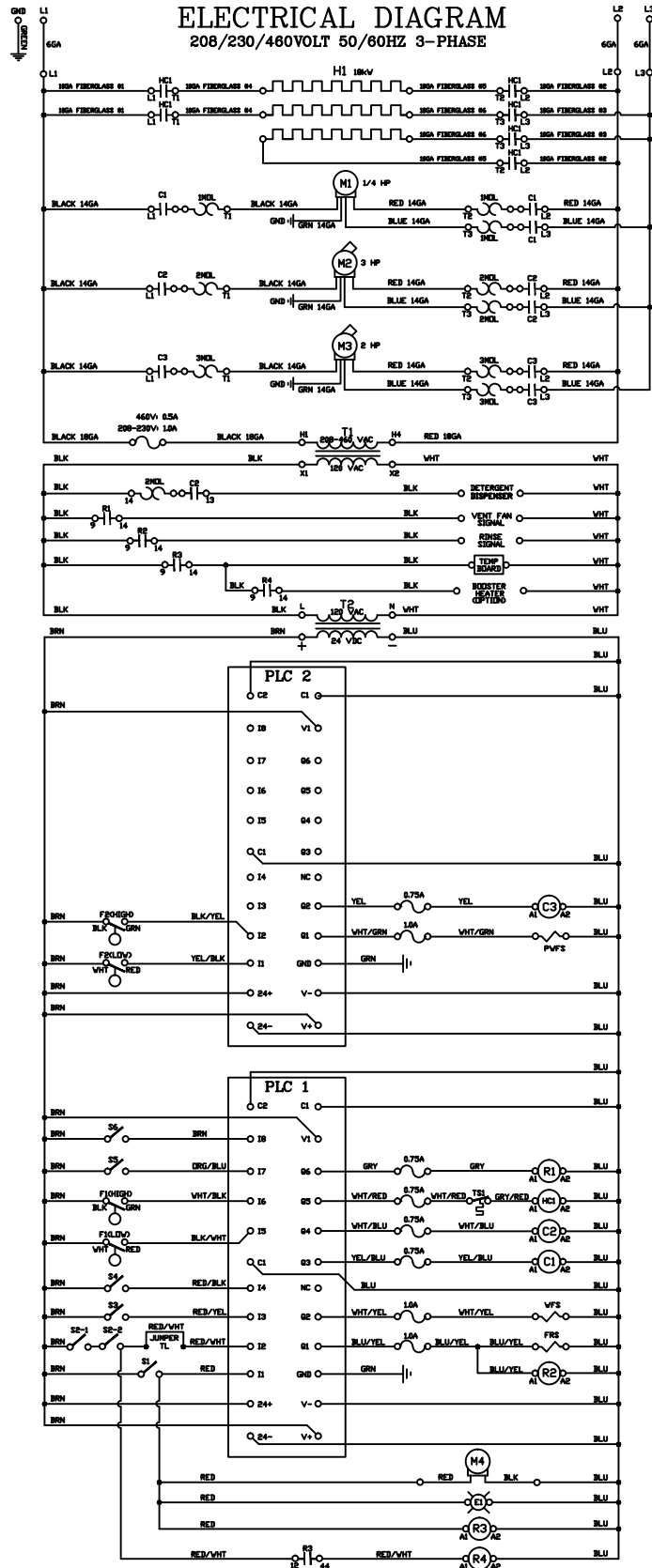


LEGEND

- | | |
|-----------------------------------|----------------------------------|
| L1 L2 POWER DISTRIBUTION BLOCK | TS1 WASH REGULATING THERMOSTAT |
| GND GROUND | VSS WASH TANK STEAM SOLENOID |
| M1 DRIVE MOTOR | VFS WASH FILL SOLENOID |
| M2 WASH PUMP MOTOR | FRS FINAL RINSE SOLENOID |
| M3 CONTROL BDX FAN (24VDC) | R1 RINSE FAN RELAY |
| S1 POWER SWITCH | R2 RINSE SIGNAL RELAY |
| S2 DOOR SAFETY SWITCH | R3 TEMPERATURE BOARD RELAY |
| S3 RACK INLET SWITCH | R4 BOOSTER HEATER RELAY (OPTION) |
| S4 FINAL RINSE SWITCH | R5 WASH TANK STEAM RELAY |
| S5 DELIME SWITCH | C1 DRIVE MOTOR CONTACTOR |
| T1 TRANSFORMER (208-460V TO 120V) | C2 WASH MOTOR CONTACTOR |
| T2 TRANSFORMER (120V TO 24VDC) | PLC1 LOGIC CONTROL BOARD |
| E1 POWER LIGHT | TL TABLE LIMIT (OPTION) |

09905-003-79-53

208/230/460 VOLT, 60 HZ, 3-PHASE

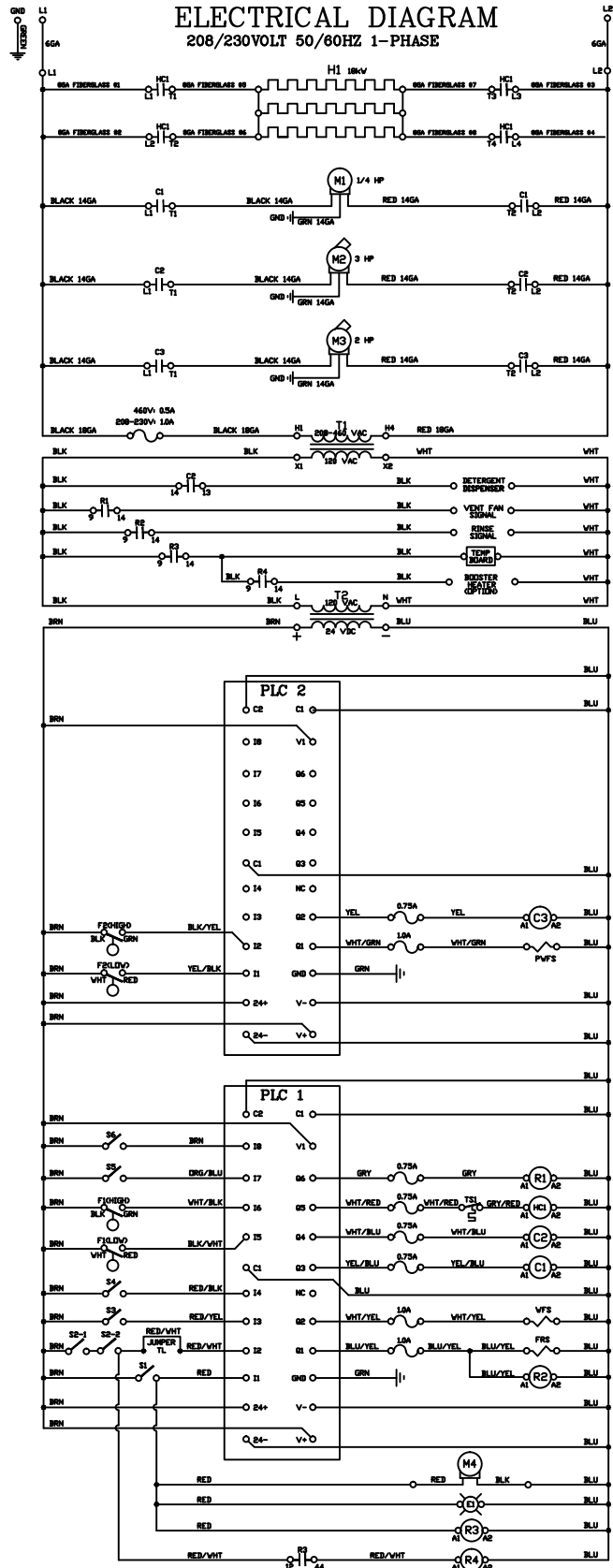


- LEGEND**
- | | | | |
|----------|--------------------------------|-------|--------------------------------------|
| L1 L2 L3 | POWER DISTRIBUTION BLOCK | F1 | WASH TANK FLOAT |
| GND | GROUND | F2 | PRE-WASH TANK FLOAT |
| H1 | WASH HEATER | E1 | POWER LIGHT |
| M1 | DRIVE MOTOR | TS1 | WASH REGULATING THERMOSTAT |
| M2 | WASH PUMP MOTOR | PWF/S | PRE-WASH FILL SOLENOID |
| M3 | PRE-WASH PUMP MOTOR | WFS | WASH FILL SOLENOID |
| M4 | CONTROL BOX FAN (24VDC) | FRS | FINAL RINSE SOLENOID |
| IMDL | DRIVE MOTOR OVERLOAD | R1 | VENT FAN RELAY |
| 2MDL | WASH PUMP MOTOR OVERLOAD | R2 | RINSE SIGNAL RELAY |
| 3MDL | PRE-WASH PUMP MOTOR OVERLOAD | R3 | TEMPERATURE BOARD RELAY |
| S1 | POWER SWITCH | R4 | BOOSTER HEATER RELAY (OPTION) |
| SE-1 | DOOR SAFETY SWITCH (WASH) | HCl | WASH HEAT CONTACTOR |
| SE-2 | DOOR SAFETY SWITCH (PRE-WASH) | C1 | DRIVE MOTOR CONTACTOR |
| S3 | RACK INLET SWITCH | C2 | WASH MOTOR CONTACTOR |
| S4 | FINAL RINSE SWITCH | C3 | PRE-WASH MOTOR CONTACTOR |
| S5 | DELINE SWITCH | PLC1 | LOGIC CONTROL BOARD |
| S6 | SIDE LOADER SWITCH (OPTIONAL) | PLC2 | LOGIC CONTROL BOARD (EXPANSION UNIT) |
| T1 | TRANSFORMER (208-460V TO 120V) | TL | TABLE LIMIT (OPTION) |
| T2 | TRANSFORMER (120V TO 24VDC) | | |
- 09905-003-82-16-A

208/230 VOLT, 60 HZ, 1-PHASE

ELECTRICAL DIAGRAM

208/230VOLT 50/60HZ 1-PHASE



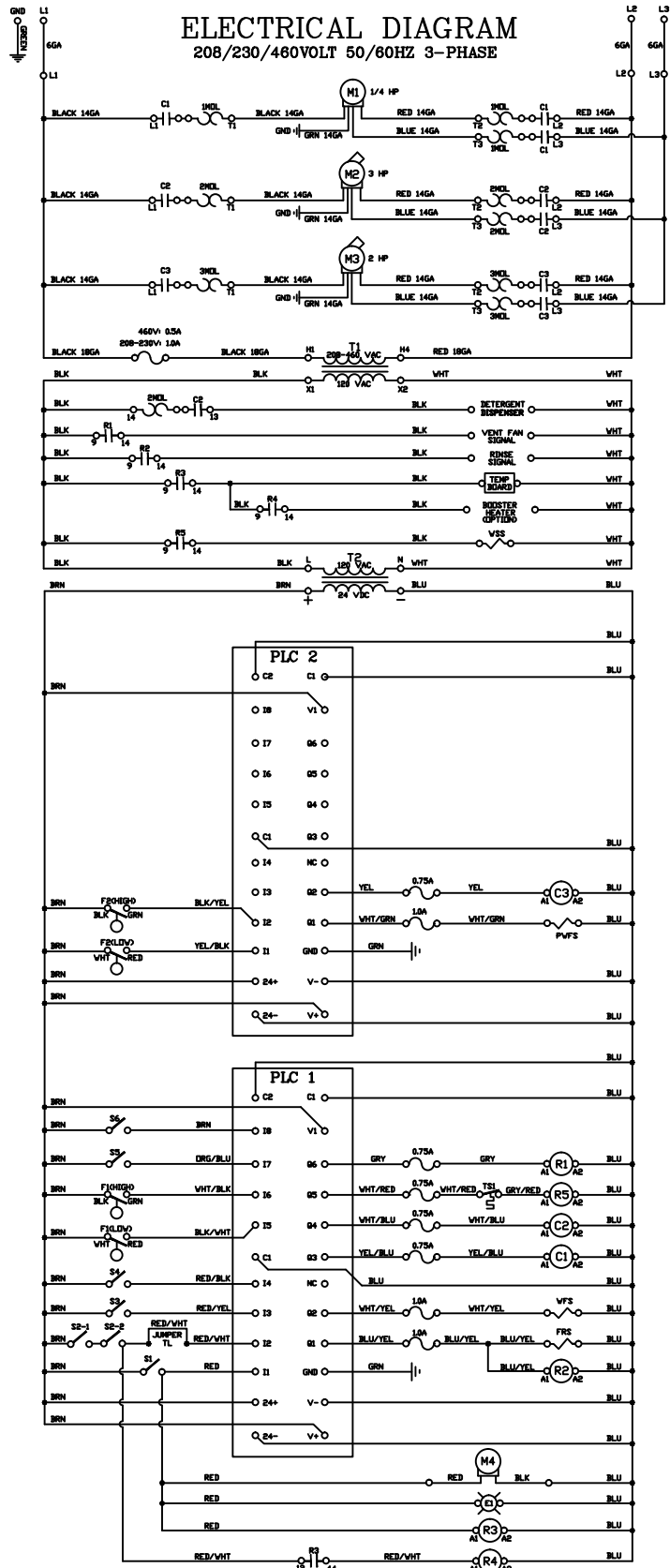
LEGEND

- | | |
|------------------------------------|---|
| L2 L3 POWER DISTRIBUTION BLOCK | F1 WASH TANK FLOAT |
| GND GROUND | F2 PRE-WASH TANK FLOAT |
| H1 WASH HEATER | E1 POWER LIGHT |
| M1 DRIVE MOTOR | TS1 WASH REGULATING THERMOSTAT |
| M2 WASH PUMP MOTOR | PMF'S PRE-WASH FILL SOLENOID |
| M3 PRE-WASH PUMP MOTOR | VF'S WASH FILL SOLENOID |
| M4 CONTROL BOX FAN (24VDC) | FRS FINAL RINSE SOLENOID |
| S1 POWER SWITCH | R1 VENT FAN RELAY |
| S2-1 DOOR SAFETY SWITCH (WASH) | R2 RINSE SIGNAL RELAY |
| S2-2 DOOR SAFETY SWITCH (PRE-WASH) | R3 TEMPERATURE BOARD RELAY |
| S3 RACK INLET SWITCH | R4 BOOSTER HEATER RELAY (OPTIONAL) |
| S4 FINAL RINSE SWITCH | HCI WASH HEAT CONTACTOR |
| S5 DELTME SWITCH | C1 DRIVE MOTOR CONTACTOR |
| S6 SIDE-LOADER SWITCH (OPTIONAL) | C2 WASH MOTOR CONTACTOR |
| T1 TRANSFORMER (208-460V TO 120V) | C3 PRE-WASH MOTOR CONTACTOR |
| T2 TRANSFORMER (120V TO 24VDC) | PLC1 LOGIC CONTROL BOARD |
| | PLC2 LOGIC CONTROL BOARD (EXPANSION UNIT) |
| | TL TABLE LIMIT (OPTIONAL) |

09905-003-84-01

208/230/460 VOLT, 60 HZ, 3-PHASE

ELECTRICAL DIAGRAM
208/230/460VOLT 50/60HZ 3-PHASE

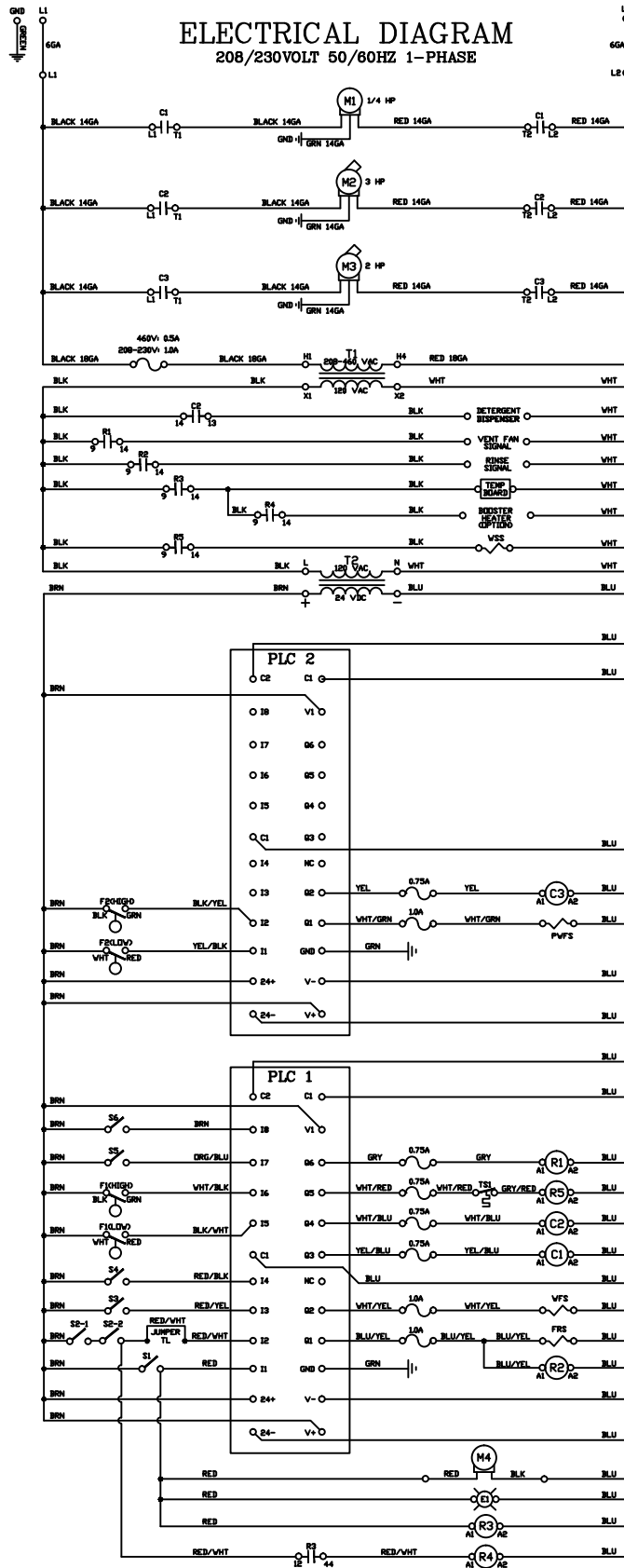


- LEGEND**
- | | |
|------------------------------------|---|
| L1 L2 L3 POWER DISTRIBUTION BLOCK | F1 WASH TANK FLDAT |
| GND GROUND | F2 PRE-WASH TANK FLDAT |
| M1 DRIVE MOTOR | E1 POWER LIGHT |
| M2 WASH PUMP MOTOR | TS1 WASH REGULATING THERMOSTAT |
| M3 PRE-WASH PUMP MOTOR | PWFS PRE-WASH FILL SOLENOID |
| M4 CONTROL BOX FAN (24VDC) | WFS WASH FILL SOLENOID |
| IMDL DRIVE MOTOR OVERLOAD | FRS FINAL RINSE SOLENOID |
| 2MDL WASH PUMP MOTOR OVERLOAD | VSS WASH TANK STEAM SOLENOID |
| 3MDL PRE-WASH PUMP MOTOR OVERLOAD | R1 VENT FAN RELAY |
| S1 POWER SWITCH | R2 RINSE SIGNAL RELAY |
| SB-1 DOOR SAFETY SWITCH (WASH) | R3 TEMPERATURE BOARD RELAY |
| SB-2 DOOR SAFETY SWITCH (PRE-WASH) | R4 BOOSTER HEATER RELAY (OPTIONAL) |
| S3 RACK INLET SWITCH | R5 WASH TANK STEAM RELAY |
| S4 FINAL RINSE SWITCH | C1 DRIVE MOTOR CONTACTOR |
| S5 DELINE SWITCH | C2 WASH MOTOR CONTACTOR |
| S6 SIDE-LOADER SWITCH (OPTIONAL) | C3 PRE-WASH MOTOR CONTACTOR |
| T1 TRANSFORMER (208-460V TO 120V) | PLC1 LOGIC CONTROL BOARD |
| T2 TRANSFORMER (120V TO 24VDC) | PLC2 LOGIC CONTROL BOARD (EXPANSION UNIT) |
| | TL TABLE LIGHT (OPTIONAL) |

09905-003-84-02

208/230 VOLT, 60 HZ, 1-PHASE

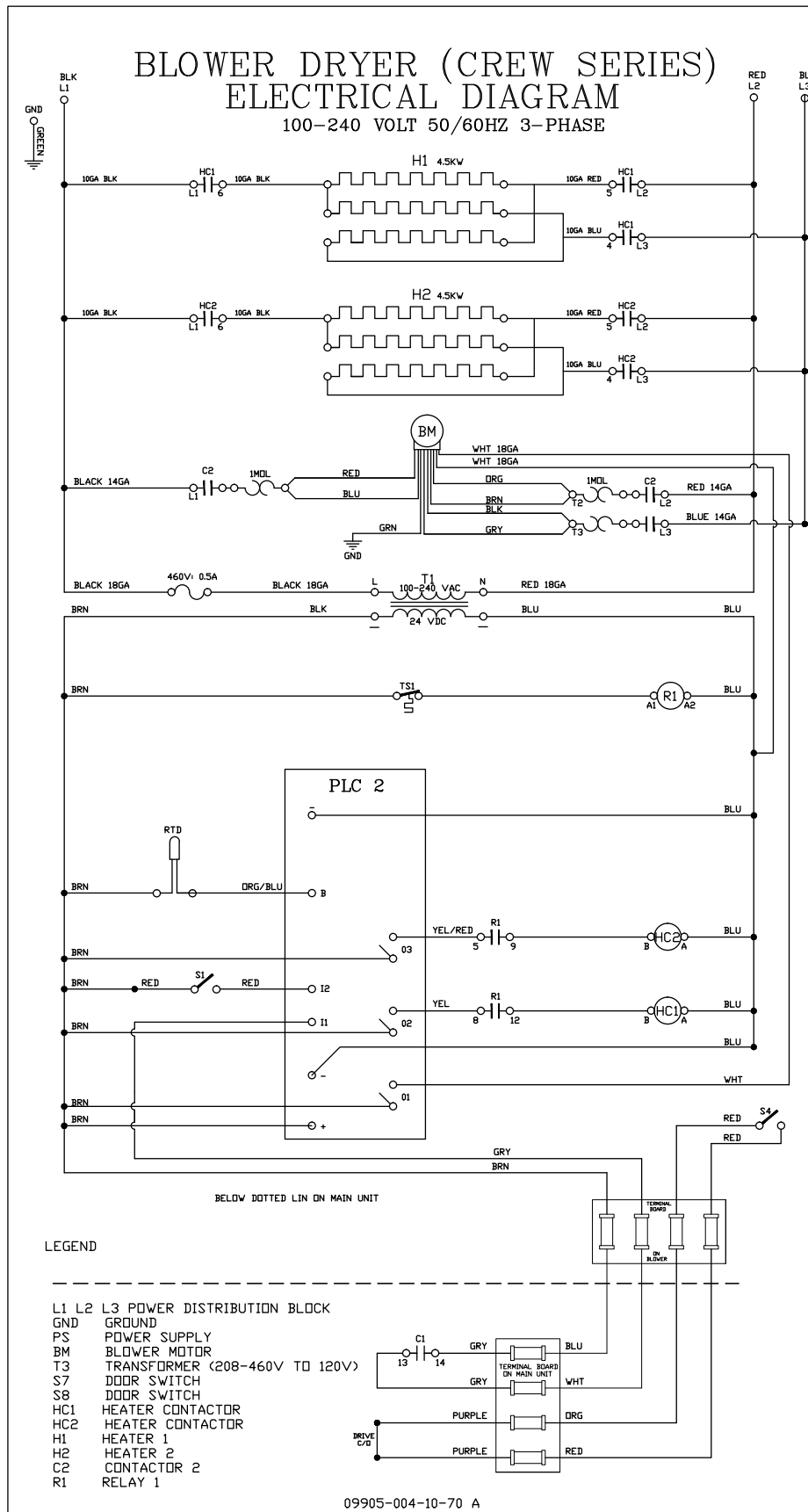
ELECTRICAL DIAGRAM 208/230VOLT 50/60HZ 1-PHASE

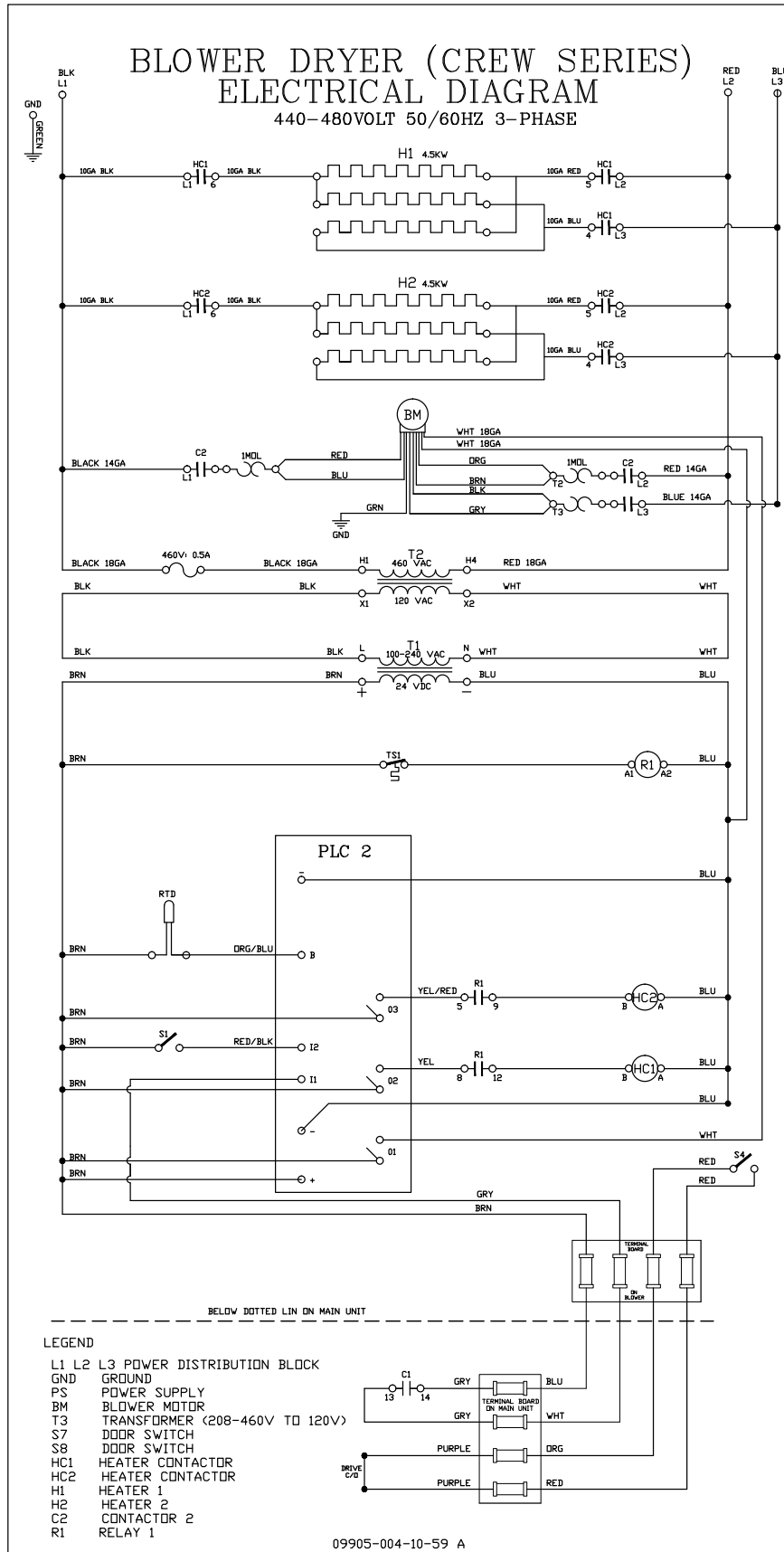


LEGEND

- | | | | |
|-----------------------------------|--------------------------------|---|------------------------------------|
| L1 L2 L3 POWER DISTRIBUTION BLOCK | GND GROUND | F1 WASH TANK FLDAT | F2 PRE-WASH TANK FLDAT |
| M1 DRIVE MOTOR | M2 WASH PUMP MOTOR | E1 POWER LIGHT | TS1 WASH REGULATING THERMOSTAT |
| M3 PRE-WASH PUMP MOTOR | M4 CONTROL BOX FAN (24VDC) | PVFS PRE-WASH FILL SOLENOID | VFS WASH FILL SOLENOID |
| S1 POWER SWITCH | S2-1 DDDR SAFETY SWITCH (WASH) | S2-2 DDDR SAFETY SWITCH (PRE-WASH) | S3 RACK INLET SWITCH |
| S4 FINAL RINSE SWITCH | S5 DELINE SWITCH | S6 SIDE-LOADER SWITCH (OPTIONAL) | T1 TRANSFORMER (208-460V TO 120V) |
| T2 TRANSFORMER (120V TO 24VDC) | C1 DRIVE MOTOR CONTACTOR | C2 WASH MOTOR CONTACTOR | C3 PRE-WASH MOTOR CONTACTOR |
| F1 WASH TANK FLDAT | F2 PRE-WASH TANK FLDAT | E1 POWER LIGHT | TS1 WASH REGULATING THERMOSTAT |
| PVFS PRE-WASH FILL SOLENOID | VFS WASH FILL SOLENOID | FRS FINAL RINSE SOLENOID | VSS WASH TANK STEAM SOLENOID |
| R1 VENT FAN RELAY | R2 RINSE SIGNAL RELAY | R3 TEMPERATURE BOARD RELAY | R4 BOOSTER HEATER RELAY (OPTIONAL) |
| R5 WASH TANK STEAM RELAY | PLC1 LOGIC CONTROL BOARD | PLC2 LOGIC CONTROL BOARD (EXPANSION UNIT) | TL TABLE LIMIT (OPTIONAL) |

09905-003-84-03







Jackson WWS, Inc. • 6209 N. US Hwy 25E • Gray, KY 40734 USA
1.888.800.5672 • www.jacksonwws.com