

TECHNICAL MANUAL

FOR JACKSON MODELS:

PRODUCT MINDER



October 7, 2004
P/N 7610-002-98-69 (Revision A)

Jackson MSC, Inc.
P.O. BOX 1060
HWY. 25E
BARBOURVILLE, KY. 40906
FAX (606) 523-9196
PHONE (606) 523-9795
www.jacksonmsc.com



Product Minder

Product Minder = Chemical flow indication unit

Model: _____

Serial No.: _____

Installation Date: _____

Service Rep. Name: _____

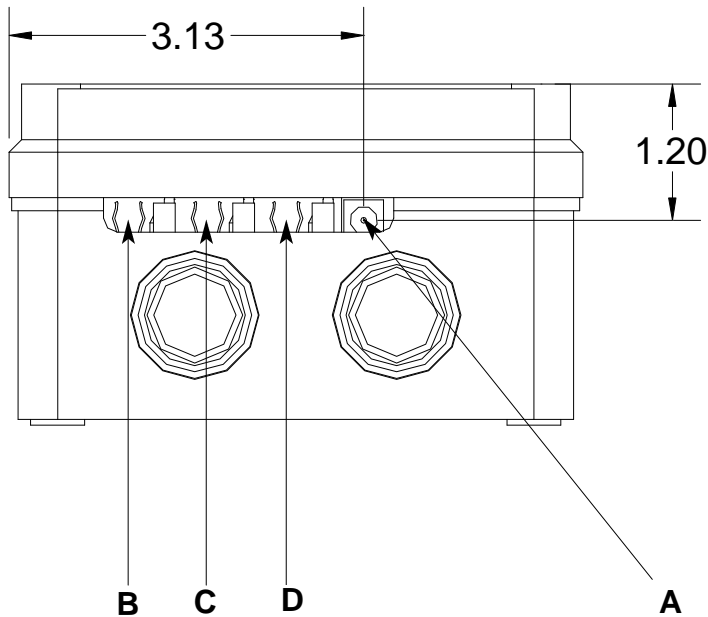
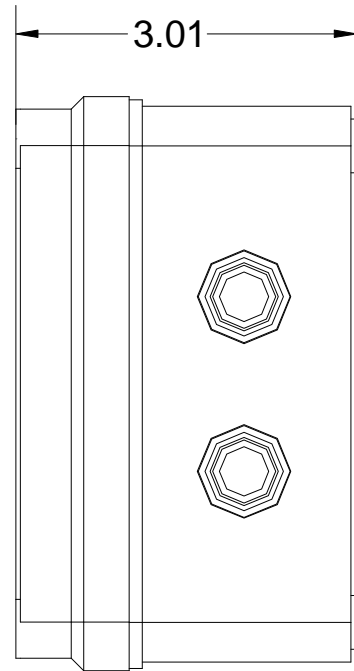
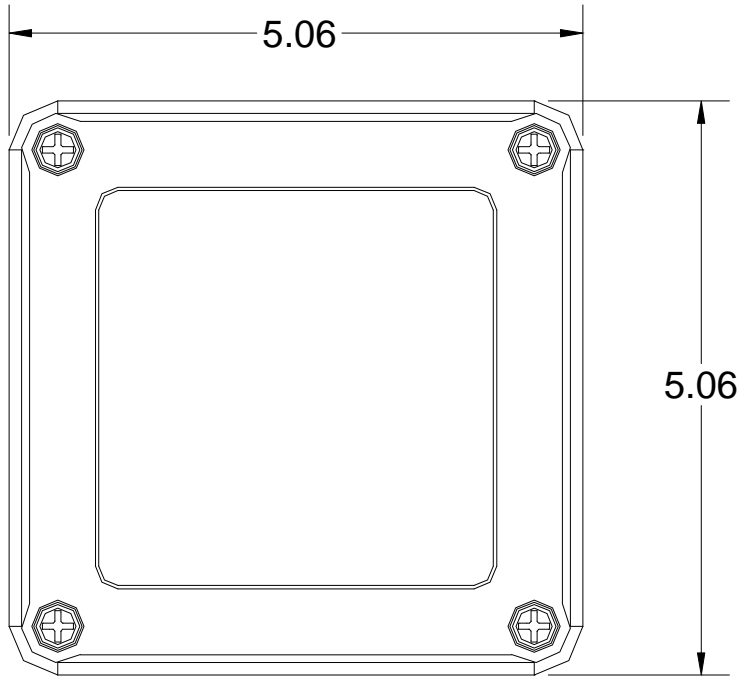
Phone No.: _____

Jackson MSC Inc. provides technical support for all of the dishmachines detailed in this manual. We strongly recommend that you refer to this manual before making a call to our technical support staff. Please have this manual with you when you call so that our staff can refer you, if necessary, to the proper page. Technical support is available from 8:00 a.m. to 5:00 p.m. (EST), Monday through Friday. Technical support is not available on holidays. Contact technical support toll free at 1-888-800-5672. Please remember that technical support is available for service personnel only.

SECTION	DESCRIPTION	PAGE
I.	SPECIFICATION INFORMATION Dimensions	2
II.	INSTALLATION/OPERATION INSTRUCTIONS Installation & Operation Instructions	4
III.	PARTS Product Minder Assembly	6
IV.	TROUBLESHOOTING SECTION	8
V.	JACKSON MAINTENANCE & REPAIR CENTERS	9

SECTION 1: SPECIFICATION INFORMATION

DIMENSIONS



LEGEND:

A - Connection point for 120 volt AC to 12 volt DC transformer.

B - Detergent sensor.

C - Rinse Aid sensor.

D - Sanitizer sensor.

All dimensions, unless otherwise stated, are given in inches.

**SECTION 2:
INSTALLATION/OPERATION
INSTRUCTIONS**

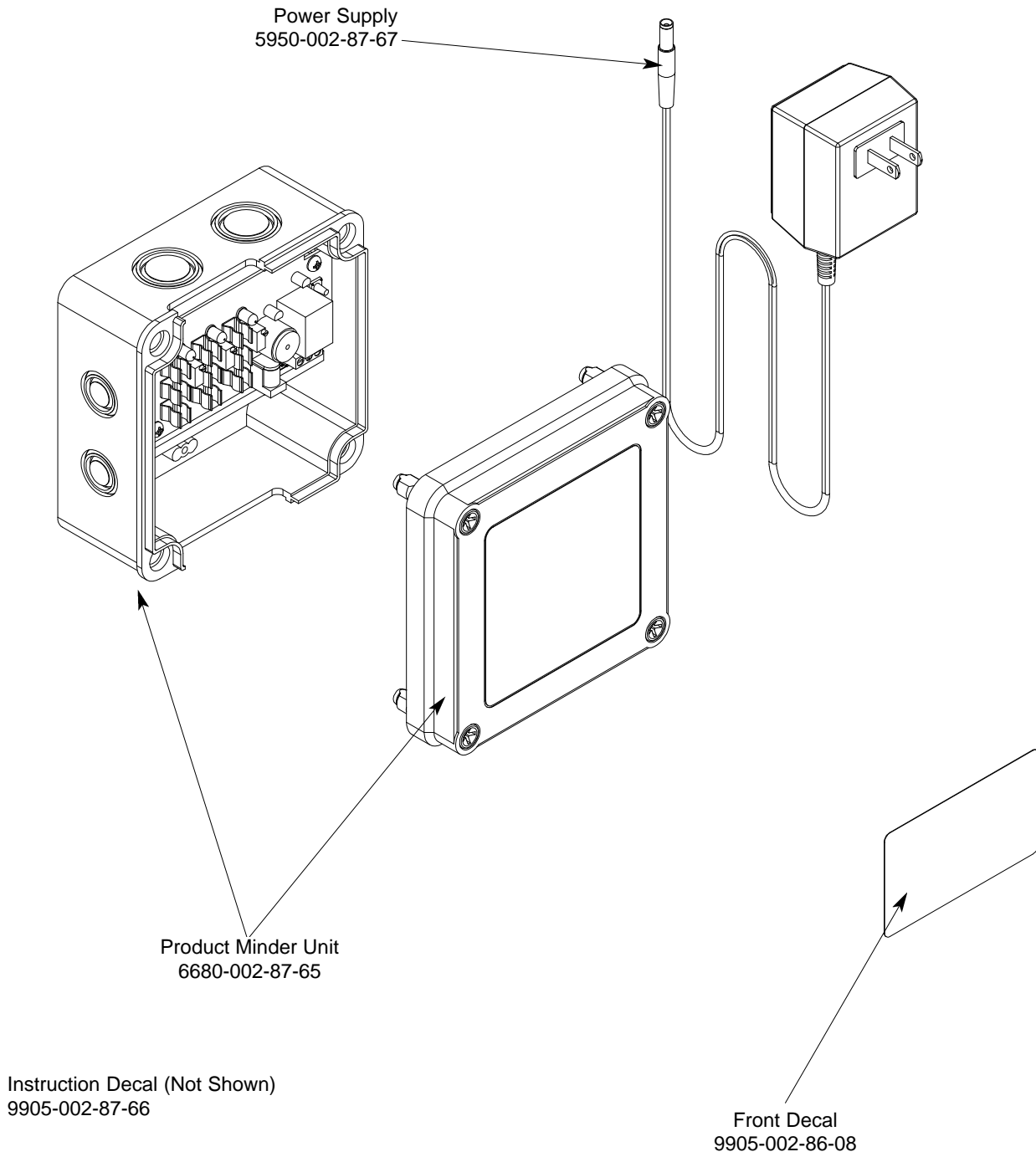
INSTALLATION/OPERATION INSTRUCTIONS

SETUP INSTRUCTIONS

- 1) Install the unit on the wall or the machine, ensuring that it is within 5 feet of a 120 volt outlet.
- 2) Snap the chemical tubing into the appropriate sensing clips (from left to right they are Detergent, Rinse Aid and Sanitizer).
- 3) Install wiring to relay terminal (if used).
- 4) Prime the chemical feeder pumps to fill chemical tubes with product.
- 5) Connect the DC power supply.
- 6) All of the lights should be extinguished and there should also be no audible alarm (buzzer).
- 7) Calibrate the sensitivity for each sensing clip as required:
 - (A) If the light is extinguished, turn the pot clockwise until the light illuminates, then counter-clockwise until the light just turns off.
 - (B) If the light is illuminated, turn the adjustment pot counter-clockwise until the light is extinguished.
- 8) Adjust all three product lines as detailed in (7) above.
- 9) Replace the cover and tighten down.

SECTION 3: PARTS SECTION

PRODUCT MINDER ASSEMBLY



SECTION 4: TROUBLESHOOTING SECTION

BASIC TROUBLESHOOTING



WARNING: Inspection, testing and repair of electrical equipment should be performed only by qualified service personnel. Certain procedures in this section require electrical tests or measurements while power is applied to the machine. Exercise extreme caution at all times. If test points are not easily accessible, disconnect power, attach test equipment and reapply power to test. When replacing electrical parts, disconnect power at source circuit breaker.

Problem: Unit will not power up.

1. Ensure that the power supply is plugged into a 120 volt outlet and that it is also connected to the jack on the Product Minder.
2. Ensure there is power at the outlet and that the breaker is not tripped.
3. The power supply is faulty; replace.
4. The Product Minder is defective; replace.

Problem: Unit does not alarm when out of product.

1. There is no power to the unit; refer to the previous question.
2. The Product Minder is defective; replace.

Problem: Alarm does not turn off even when product is in the chemical line.

1. Product Minder is out of adjustment; refer to operating instructions for details regarding calibrating the unit.
2. Product Minder is defective; replace.

**SECTION 5:
JACKSON MAINTENANCE &
REPAIR CENTERS**

SECTION 5: JACKSON MAINTENANCE & REPAIR CENTERS**ALABAMA TO HAWAII****ALABAMA:**

**JONES-McLEOD
APPLIANCE SVC**
1616 7TH AVE. NORTH
BIRMINGHAM, AL 35203
(205) 251-0159
800-821-1150
FAX: (205) 322-1440
service@jones-mcleod.com

**JONES-McLEOD
APPLIANCE SVC**
854 LAKESIDE DRIVE
MOBILE, AL 36693
(334) 666-7278
800-237-9859
FAX: (334) 661-0223

ALASKA:

**RESTAURANT
APPLIANCE SVC**
7219 ROOSEVELT WAY NE
SEATTLE, WA 98115
(206) 524-8200
800-433-9390
FAX: (206) 525-2890
info@restappl.com

ARIZONA:

**AUTHORIZED COMMERCIAL
FOOD EQMT. SVC**
4832 SOUTH 35TH STREET
PHOENIX, AZ 85040
(602) 234-2443
800-824-8875
FAX: (602) 232-5862
acsboss@aol.com

GCS SERVICE INC.
PHOENIX, AZ
800-822-2303

ARKANSAS:

BROMLEY PARTS & SVC
10TH AND RINGO
P.O. BOX 1688
LITTLE ROCK, AR 72202
(501) 374-0281
800-482-9269
FAX: (501) 374-8352
service@bromleyparts.com
parts@bromleyparts.com

COMMERCIAL PARTS & SVC.
3717 CHERRY ROAD
MEMPHIS, TN 38118
(901) 366-4587
800-262-9155
FAX: (901) 366-4588

CALIFORNIA:

**BARKERS FOOD
MACHINERY SERVICES**
5367 SECOND STREET
IRWINDALE, CA 91706
(626) 960-9390
800-258-6999
FAX: (626) 337-4541
service@barkers.com

GCS SERVICE INC.
LOS ANGELES, CA
800-822-2303

P & D APPLIANCE
4220-C ROSEVILLE ROAD
NORTH HIGHLANDS, CA 95660
(916) 974-2772
800-824-7219
FAX:(916) 974-2774

INDUSTRIAL ELECTRIC SVC
5662 ENGINEER DRIVE
HUNTINGON BEACH, CA 92649
(714) 379-7100
800-4573783
FAX: (714) 379-7109

GCS SERVICE INC.
360 LITTLEFIELD AVE
S. SAN FRANCISCO, CA 94080
(650) 635-0720
800-969-4427
FAX: (650) 871-4019

**BARKERS FOOD
MACHINERY SERVICES**
9373 ACTIVITY ROAD #G
SAN DIEGO, CA 92126
(858) 695-1091
800-995-7955
FAX: (858) 995-7955

GCS SERVICE INC.
9030 KENMAR DR. SUITE 313
SAN DIEGO, CA 92121
(858) 549-8411
800-422-7278
FAX: (858) 549-2323

P & D APPLIANCE SVC
100 SOUTH LINDEN AVE.
S. SAN FRANCISCO, CA 94080
(650) 635-1900
800-424-1414
FAX: (650) 635-1919
pndappl@aol.com

COLORADO:

**HAWKINS COMMERCIAL
APPLIANCE SERVICE**
3000 S. WYANDOT ST.
ENGLEWOOD, CO 80110
(303) 781-5548
(800) 624-2117
FAX: (303) 761-8861

COLORADO (cont.):

METRO APPLIANCE SERVICE
1640 S BROADWAY
DENVER, CO 80210
(303) 778-1126
800-525-3532
FAX: (303) 778-0268
metroappls@aol.com

CONNECTICUT:

GCS SERVICE INC.
302 MURPHY ROAD
HARTFORD, CT 06114
(860) 549-5575
800-423-1562
FAX: (860) 527-6355

DELAWARE:

**AMERICAN KITCHEN MACHIN-
ERY & REPAIR**
204 QUARRY STREET
PHILADELPHIA, PA 19106
(215) 627-7760
800-848-7760
FAX: (215) 627-1604

GCS SERVICE INC.
817 N. THIRD STREET
PHILADELPHIA, PA
(215)925-6217
800-441-9115
FAX: (215) 925-6208

ELMER SCHULTZ SERVICE
36 BELMONT AVE.
WILLMINGTON, DE 19804
(302) 655-8900
800-225-0599
FAX: (302) 656-3673
elmer2@erols.com

EMR SERVICE DIVISION
106 WILLIAMSPORT CIRCLE
SALISBURY, MD 21804
(410) 543-8197
FAX: (410) 548-4038

FLORIDA:

COMMERCIAL APPLIANCE SVC
8416 LAUREL FAIR CIRCLE
BLDG 6, SUITE 114
TAMPA, FL 33610
(813) 663-0313
800-282-4718
FAX: (813) 663-0212
commercialappliance@worldnet.at
t.net

FLORIDA (cont.):

GCS SERVICE INC
3373 N. W. 168TH STREET
MIAMI, FL 33056
(305) 621-6666
800-766-8966
FAX: (305) 621-6656

GCS SERVICE INC
3902 CORPORES PARK DR.
SUITE 350
TAMPA, FL 33619
(813) 626-6044
800-282-3008
FAX: (813) 621-1174

**JONES-McLEOD
APPLIANCE SVC**
854 LAKESIDE DRIVE
MOBILE, AL 36693
(334) 666-7278
800-237-9859
FAX: (334) 661-0223
service@jones-mcleod.com

GEORGIA:

GCS SERVICE INC
3127 PRESIDENTIAL DRIVE
ATLANTA, GA 30340
(770) 452-7322
800-334-3599
FAX: (770) 452-7473

**SOUTHEASTERN
RESTAURANT SVC.**
2200 NORCROSS PKWY.
SUITE 210
NORCROSS, GA 30071
(770) 446-6177
800-235-6516
FAX: (770) 446-3157
info@srs-atl.com

**WHALEY FOODSERVICE
REPAIRS**
109-A OWENS INDUSTRIAL
DRIVE
SAVANNAH, GA 31405
(912) 447-0827
888-765-0036
FAX: (912) 447-0826

HAWAII:

**FOOD EQMT. PARTS & SER-
VICE CO.**
300 PUUHALE RD.
HONOLULU, HI 96819
(808) 847-4871
FAX: (808) 842-1560
fepsco@hula.net

SECTION 5: JACKSON MAINTENANCE & REPAIR CENTERS**IDAHO TO MISSISSIPPI****IDAHO:**

RON'S SERVICE
703 E 44TH STREET STE 10
GARDEN CITY, ID 83714
(208) 375-4073
FAX: (208) 375-4402

RESTAURANT APPLIANCE SVC.
7219 ROOSEVELT WAY NE
SEATTLE, WA 98115
(206) 524-8200
800-433-9390
FAX: (206) 525-2890
info@restappl.com

ILLINOIS:

CONES REPAIR SVC.
2408 40TH AVE.
MOLINE, IL 61265
(309) 797-5323
800-716-7070
FAX: (309)797-3631
jackb@cones.com

EICHENAUER SERVICES INC.
130 S OAKLAND ST.
DECATUR, IL 62522
(217) 429-4229
800-252-5892
FAX: (217) 429-0226
esi@esiquality.com

GCS SERVICE INC.
696 LARCH AVENUE
ELMHURST, IL 60126
(630) 941-7800
800-942-9689
FAX: (630) 941-6048

GCS SERVICE INC.
9722 REAVIS PARK DRIVE
ST. LOUIS, MO 63123
(314) 683-7444
800-284-4427
FAX: (314) 638-0135

INDIANA:

GCS SERVICE INC.
5310 E. 25TH STREET
INDIANAPOLIS, IN 46218
(317) 545-9655
800-727-8710
FAX: (317) 549-6286

IOWA:

GOODWIN-TUCKER GROUP
3509 DELAWARE AVENUE
DES MOINES, IA 50313
(515) 262-9308
800-372-6066
FAX: (515) 262-2936
goodwintuc@aol.com

IOWA (cont.):

CONES REPAIR SVC.
1056 27TH AVENUE SW
CEDAR RAPIDS, IA 52404
(319) 365-3325
800-747-3326
FAX: (319) 365-0885

KANSAS:

GCS SERVICE INC.
6107 CONNECTICUT
KANSAS CITY, MO 64210
(816) 920-5999
800-229-6477
FAX: (816) 920-7387

KENTUCKY:

CERTIFIED SERVICE CENTER
127 DISHMAN LANE
BOWLING GREEN, KY 42101
(270) 783-0012
(877) 907-0012
FAX: (270) 783-0058

CERTIFIED SERVICE CENTER
1051 GOODWIN DRIVE
LEXINGTON, KY 40505
(606) 254-8854
800-432-9269
FAX: (606) 231-7781
jatkins@certifiedsc.com

GCS SERVICE INC.
1002 NANDINO BLVD.
LEXINGTON, KY 40511
(606) 255-0746
800-432-9260
FAX: (606) 255-0748

CERTIFIED SERVICE CENTER
RAMCO BUSINESS PARK
4283 PRODUCE ROAD
LOUISVILLE, KY 40218
(502) 964-7007
800-637-6350
FAX: (502) 964-7202
cwalker@certifiedsc.com
droenigk@certifiedsc.com

GCS SERVICE INC.
4204 SOUTH BROOK STREET
LOUISVILLE, KY 40214
(502) 367-1788
800-752-6160
FAX: (502) 367-0400

LOUISIANA:

BANA PARTS INC.
1501 KUEBLE STREET
HARAHAN, LA 70123
(504) 734-0076
800-325-7543
FAX: (504) 734-8456

LOUISIANA (cont.):

BANA PARTS INC.
4028 GREENWOOD ROAD
SHREVEPORT, LA 71109
(318) 631-6550
800-832-6550
FAX: (318) 636-5675

MAINE:

MRE, INC.
170 JOHN ROBERTS RD UNIT #3
PROTLAND, ME 04106
(207) 772-1152
(800) 696-7560
FAX: (207) 772-1445

NORTHERN CROWN SERVICES, INC.
225 INDUSTRIAL WAY
PORTLAND, ME 04103
(207) 797-7333
(800) 696-7560
FAX: (207) 696-1128
steve@northerncrownservices.com
richard@northerncrownservices.com

MARYLAND:

EMR SERVICE DIVISION
700 EAST 25TH STREET
BALTIMORE, MD 21218
(410) 467-8080
800-879-4994
FAX: (410) 467-4191
baltparts@emrco.com

EMR SERVICE DIVISION
106 WILLIAMSPORT CIRCLE
SALISBURY, MD 21804
(410) 543-8197
888-687-8080
FAX: (410) 548-4038
baltparts@emrco.com

EMR SERVICE DIVISION
2626 PITTMAN DRIVE
SILVER SPRING, MD 20910
(301) 588-8080
800-348-2365
FAX: (301) 588-6985
baltparts@emrco.com

GCS SERVICE INC.
2660 PITTMAN DRIVE
SILVER SPRING, MD 20910
(301) 585-7550 (DC)
(410) 792-0338 (BALT)
(800) 638-7278
FAX: (301) 495-4410

MASSACHUSETTS:

ACE SERVICE CO.
95 HAMPTON AVE.
NEEDHAM, MA 02494
(781) 449-4220
800-225-4510 MA & NH
FAX: (781) 444-4789
taceservice@aol.com

MASSACHUSETTS RESTAURANT SUPPLY
34 SOUTH STREET
SOMERVILLE, MA 02143
(617) 868-1930
800-338-6737
FAX: (617) 868-5331

GCS SERVICE INC.
180 SECOND STREET
CHELSEA, MA 02150
(617) 889-9393
800-225-1155
FAX: (617) 889-1222

GCS SERVICE INC.
302 MURPHY ROAD
HARTFORD, CT 06114
(860) 549-5575
800-723-1562
FAX: (860) 527-6355

MICHIGAN:

GCS SERVICE INC.
31829 WEST EIGHT MILE ROAD
LIVONIA, MI 48152
(248) 426-9500
800-772-2936
FAX: (248) 426-7555

JACKSON SERVICE COMPANY
3980 BENSTEIN RD.
COMMERCE TOWNSHIP, MI 48382
(248) 363-4159
800-332-4053
FAX: (248) 363-5448

MINNESOTA:

GCS SERVICE INC.
2857 LOUISIANA AVENUE N.
MINNEAPOLIS, MN 55427
(612) 546-4221
800-345-4221
FAX: (612) 546-4286

MISSISSIPPI:

GCS SERVICE INC.
2815 19TH ANENUE, UNIT A
GULFPORT, MS 39501
(228) 864-2722
877-964-2722
FAX: (228) 822-9412

SECTION 5: JACKSON MAINTENANCE & REPAIR CENTERS**MISSISSIPPI TO NORTH CAROLINA****MISSISSIPPI (cont.):**

GCS SERVICE INC.
5755 GALLANT DRIVE.
JACKSON, MS 39206
(601) 956-7800
800-274-5954
FAX: (601) 956-1200

GCS SERVICE INC.
3717 CHERRY ROAD
MEMPHIS, TN 38118
(901) 366-4587
800-262-9155
FAX: (901) 366-4588

MISSOURI:

GCS SERVICE INC.
6107 CONNECTICUT
KANSAS CITY, MO 64120
(816) 920-5999
800-229-6477
FAX: (816) 920-7387

GCS SERVICE INC.
9722 REAVIS PARK DRIVE
ST. LOUIS, MO 63123
(314) 638-7444
800-284-4427
FAX: (314) 638-0135

KAMMERLIN PARTS & SVC.
1359 SOUTH KINGSHIGHWAY
ST. LOUIS, MO 63110
(314) 535-2222
FAX: (314) 535-6205
petek@kps.stl.com

MONTANA:

**RESTAURANT
APPLIANCE SVC.**
7219 ROOSEVELT WAY NE
SEATTLE, WA 98115
(206) 524-8200
800-433-9390
FAX: (206) 525-2890
info@restappl.com

NEBRASKA:

GOODWIN - TUCKER GROUP
7535 D STREET
OMAHA, NE 68124
(402) 397-2880
800-228-0372
FAX: (402) 397-2881
goodwintuc@aol.com

NEVADA:

HI TECH COMMERCIAL SVC
400 E. MEAD BLVD.
LAS VEGAS, NV 89030
(702) 649-4616
(877) 924-4832
FAX: (702) 649-4607

GCS SERVICE INC.
LAS VEGAS, NV
800-822-2303

NEW HAMPSHIRE:

GCS SERVICE INC.
180 SECOND STREET
CHELSEA, MA 02150
(617)889-9393
800-225-1155
FAX: (617) 889-1222

ACE SERVICE CO.
500 HARVEY RD.
MANCHESTER, NH 03103
(603) 668-5070
800-225-4510
FAX: (603) 626-6067
taceservice@aol.com

**MASSACHUSETTS
RESTAURANT SUPPLY**
34 SOUTH STREET
SOMERVILLE, MA 02143
(617) 868-1930
800-338-6737
FAX: (617) 868-5331

NEW JERSEY:

JACKSON FASPRAY SVC.
155 SARGEANT AVE.
CLIFTON, NJ 07013
(973) 471-8000
800-356-6740
FAX: (973) 471-1289
jfs155@aol.com

**AMERICAN KITCHEN
MACHINERY & REPAIR**
204 QUARRY STREET
PHILADELPHIA, PA 19106
(215) 627-7760
800-848-7760
FAX: (215) 627-1604

GCS SERVICE INC.
817 N. THIRD STREET
PHILADELPHIA, PA 19123
(215) 925-6217
800-441-9115
FAX: (215) 925-6208

NEW JERSEY (cont.):

ELMER SCHULTZ SERVICES
201 WASHINGTON AVE.
PLEASANTVILLE, NJ 08232
(609) 641-0317
800-378-1641
FAX:(609) 641-8703
elmer2@erols.com

NEW MEXICO:

STOVE PARTS SUPPLY CO.
2120 SOLANA STREET
FORT WORTH, TX 76117
(817) 831-0381
800-433-1804
FAX: (817) 834-7754
bud@stoveparts.com

**HAWKINS COMMERCIAL APPLI-
ANCE SERVICE**
300 S. WYANDOT STREET
ENGLEWOOD, CA 80110
(303) 781-5548
800-624-2117
FAX: (303) 761-8861

NEW YORK:

GCS SERVICE INC.
BROOKLYN, NY 11211
800-822-2303

**APPLIANCE INSTALLATION
AND SERVICE CORP.**
1336 MAIN STREET
BUFFALO, NY 14209
(716) 884-7425
800-722-1252
FAX: (716) 884-0410
ais@worldnet.att.net

B.E.S.T. INC.
3003 GENESEE STREET
BUFFALO, NY 14225
(716) 893-6464
800-338-5011
FAX: (716) 893-6466
bestserv@aol.com

DUFFY'S EQUIPMENT SVC.
3138 ONEIDA STREET
SAUQUOIT, NY 13456
(315) 737-9401
800-443-8339
FAX: (315) 737-7132
duffyequip@aol.com

NORTHERN PARTS & SVC.
21 NORTHERN AVENUE
PLATTSBURGH, NY 12903
(518) 563-3200
800-634-5005
FAX: (800) 782-5424
info@northernparts.com

NEW YORK (cont.):

JACKSON FASPRAY SVC.
155 SARGEANT AVE.
CLIFTON, NJ 07013
(973) 471-8000
800-356-6740
FAX: (973) 471-1289
jfs155@aol.com

ALL ISLAND REPAIR
40-9 BURT DRIVE
DEER PARK, NY 11729
(631) 242-5588
800-323-9411
FAX: (631) 242-6102

**A. I. S. COMMERCIAL
PARTS & SVC**
1900 COLLEGE AVENUE
ELMIRA HEIGHTS, NY 14901
(607) 734-6072
888-724-7377
FAX: (607) 734-9294

**A. I. S. COMMERCIAL
PARTS & SVC**
13 WESTR MAIN STREET
FALCONER, NY 14733
(716) 665-6556
800-552-6556
FAX: (716) 665-4227

**A. I. S. COMMERCIAL
PARTS & SVC**
200 SALINA ST. SUITE 114
LIVERPOOL, NY 13088
(315) 435-0709
800-371-5921
FAX: (315) 453-1412

**A. I. S. COMMERCIAL
PARTS & SVC**
7387 PITTSFORD VICTOR RD.
ROCHESTER, NY 14610
(716) 461-2370
800-458-4198
FAX: (716) 461-5545

NORTH CAROLINA:

**AUTHORIZED APPLIANCE
SERVICE CENTER**
1020 TUCKASEEGEE RD.
CHARLOTTE, NC 28208
(704) 377-4501
(800) 532-6127
FAX: (704) 377-4504

WHALEY FOODSERVICE
203-D CREEK RIDGE RD.
GREENSBORO, NC 27604
(336) 333-2333
FAX: (336) 333-2533

SECTION 5: JACKSON MAINTENANCE & REPAIR CENTERS**NORTH CAROLINA TO TEXAS****NORTH CAROLINA (cont.):**

AUTHORIZED APPLIANCE SERVICE CENTER
109 HINTON AVE.
WILMINGTON, NC 28403
(910) 313-1250
FAX: (910) 313-6130

WHALEY FOODSERVICE REPAIRS
8334-K ARROWRIDGE BLVD
CHARLOTTE, NC 28273
(704) 529-6242
FAX: (704) 529-1558
info@whaleyfoodservice.com

WHALEY FOODSERVICE REPAIRS
335-105 SHERWEE DRIVE
RALEIGH, NC 27603
(919) 779-2266
FAX: (919) 779-2224
info@whaleyfoodservice.com

WHALEY FOODSERVICE REPAIRS
6418-101 AMSTERDAM WAY
WILMINGTON, NC 28405
(910) 791-0000
FAX: (910) 791-6662
info@whaleyfoodservice.com

NORTH DAKOTA:

GCS SERVICE INC.
2857 LOUISIANA AVENUE N.
MINNEAPOLIS, MN 55427
(612) 546-4221
800-345-4221
FAX: (612) 546-4286

OHIO:

CERTIFIED SERVICE CENTER
890 REDNA TERRACE
CINCINNATI, OH 45215
(513) 772-6600
800-543-2060
FAX: (513) 612-6600
sbarasch@certifiedsc.com

CERTIFIED SERVICE CENTER
6025 N. DIXIE DRIVE
DAYTON, OH 45414
(937) 898-4040
(800) 257-2611
FAX: (937) 898-4177
dharvey@certifiedsc.com

COMMERCIAL PARTS & SVC. OF COLUMBUS
1150 WEST MOUND STREET
COLUMBUS, OH 43223
(614) 221-0057
800-837-8327
FAX: (614) 221-3622

OHIO (cont.):

GCS SERVICE INC.
2830 JOHNSTON RD.
COLUMBUS, OH 43219
(614) 476-3225
800-282-5406
FAX: (614) 476-1196

ELECTRICAL APPLIANCE REPAIR SVC.
5805 VALLEY BELT ROAD
CLEVELAND, OH 44131
(216) 459-8700
800-621-8259
FAX: (216) 459-8707
tomr@electapplrep.com

OKLAHOMA:

HAGAR RESTAURANT EQMT.
1229 W MAIN STREET
OKLAHOMA CITY, OK 73106
(405) 235-2184
800-445-1791
FAX: (405) 236-5592

OREGON:

RON'S SERVICE
16364 SW 72ND AVE
PORTLAND, OR 97224
(503) 624-0890
800-851-4118
FAX: (503) 684-6107
lrobinson@ronsservice.com

PENNSYLVANIA:

A.I.S. COMMERCIAL PARTS & SERVICE
1816 WEST 26TH STREET
ERIE, PA 16508
(814) 456-3732
800-332-3732
FAX: (814) 452-4843
aiserie@aol.com

ELMER SCHULTZ SVC.
540 NORTH 3RD STREET
PHILADELPHIA, PA 19123
(215) 627-5400
FAX: (215) 627-5408
elmer2@erols.com

K & D PARTS & SERVICE
1833-41 N. CAMERON STREET
HARRISBURG, PA 17103
(717) 236-9039
800-932-0503
FAX: (717) 238-4367

PENNSYLVANIA (cont.):

AMERICAN KITCHEN MACHINERY & REPAIR
204 QUARRY STREET
PHILADELPHIA, PA 19106
(215) 627-7760
800-848-7760
FAX: (215) 627-1604

GCS SERVICE INC.
817 N. THIRD STREET
P.O. BOX 3564
PHILADELPHIA, PA 19123
(215) 925-6217
800-441-9115
FAX: (215) 925-6208

GCS SERVICE INC.
210 VISTA PARK DRIVE
PITTSBURGH, PA 15205
(412) 787-1970
800-738-1221
FAX: (412) 787-5005

RHODE ISLAND:

GCS SERVICE INC.
180 SECOND STREET
CHELSEA, MA 02150
(617)889-9393
800-225-1155
FAX: (617) 889-1222

SOUTH CAROLINA:

AUTHORIZED APPLIANCE SERVICECENTER
1811 TAYLOR ST.
COLUMBIA, SC 29202
(803) 254-8414
FAX: (803) 254-5146

AUTHORIZED APPLIANCE SERVICECENTER
2249 AUGUSTA RD.
GREENVILLE, SC 29605
(864) 235-9616
FAX: (864) 235-9623

WHALEY FOODSERVICE REPAIRS
I 26 & US1
P.O. BOX 4023
WEST COLUMBIA, SC 29170
(803) 791-4420
800-877-2662
FAX: (803) 794-4630
info@whaleyfoodservice.com

WHALEY FOODSERVICE REPAIRS
748 CONGAREE ROAD
GREENVILLE, SC 29607
(864) 234-7011
800-494-2539
FAX: (864) 234-6662
info@whaleyfoodservice.com

SOUTH CAROLINA (cont.):

WHALEY FOODSERVICE REPAIRS
1406-C COMMERCE PL.
MYRTLE BEACH, SC 29577
(843) 626-1866
FAX: (843) 626-2632
info@whaleyfoodservice.com

WHALEY FOODSERVICE REPAIRS
4740-A FRANCHISE STREET
N. CHARLESTON, SC 29418
(843) 760-2110
FAX: (843) 760-2255
info@whaleyfoodservice.com

SOUTH DAKOTA:

GCS SERVICE INC.
2857 LOUISIANA AVENUE N.
MINNEAPOLIS, MN 55247
(612) 546-4221
800-345-4221
FAX: (612) 546-4286

TENNESSEE:

GCS SERVICE INC.
3717 CHERRY ROAD
MEMPHIS, TN 38118
(901) 366-4587
800-262-9155
FAX: (901) 366-4588

GCS SERVICE INC.
748 FESSLERS LANE
NASHVILLE, TN 37210
(615) 244-8050
800-831-7174
FAX: (615) 244-8885

TEXAS:

GCS SERVICE INC.
AUSTIN, TX
800-822-2303

ARMSTRONG REPAIR CENTER
1700 S LAMAR BLVD #327
AUSTIN, TX 78704
(512) 416-1101
800-392-5322
FAX: (512) 416-6912

ARMSTRONG REPAIR CENTER
5110 GLENMONT DRIVE
HOUSTON, TX 77081
(713) 666-7100
800-392-5325
FAX: (713) 661-0520
gm@armstrongrepair.com

SECTION 5: JACKSON MAINTENANCE & REPAIR CENTERS

TEXAS TO WYOMING/CANADA

TEXAS (cont.):

COMMERCIAL KITCHEN REPAIR CO.
1377 N BRASOS
P.O BOX 831128
SAN ANTONIO, TX 78207
(210) 735-2811
800-292-2120
FAX: (210) 735-7421
brock@commercialkitchen.com

GCS SERVICE INC.
440 WRANGLER DRIVE #100
COPPELL, TX 75019
(972) 906-0307
800-442-5026
FAX: (972) 906-9886

GCS SERVICE INC.
HOUSTON, TX
800-822-2303

GCS/STOVE PARTS
2120 SOLANA STREET
FORT WORTH, TX 76117
(817) 831-0381
800-433-1804
FAX: (817) 834-7754
bud@stoveparts.com

UTAH:

LA MONICA'S RESTAURANT EQMT. SVC.
6182 SOUTH STRATLER AVENUE
MURRAY, UT 84107
(801) 263-3221
800-527-2561
FAX: (801) 263-3229
lamonica81@aol.com

GCS SERVICE INC.
1366 S. 400 WEST
SALT LAKE CITY, UT 84115
(801) 487-3653
800-955-9201
FAX: (801) 487-2253

VERMONT:

NORTHERN PARTS & SVC.
4874 S. CATHERINE STREET
PLATTSBURGH, NY 12901
(518) 563-3200
800-634-5005
FAX: (800) 782-5424
info@northernparts.com

GCS SERVICE INC.
180 SECOND STREET
CHELSEA, MA 02150
(617)889-9393
800-225-1155
FAX: (617) 889-1222

VIRGINIA:

DAUBERS, INC.
7645 DYNATECH COURT
SPINGFIELD, VA 22153
(703) 866-3600
800-554-7788
FAX: (703) 866-4071
daubers@aol.com

GCS SERVICE INC.
2660 PITTMAN DRIVE
SILVER SPRING, MD 20910
(301) 585-7550(DC)
(410) 792-0388(BALT)
800-638-7278
FAX: (301)495-4410

GCS SERVICE INC.
RICHMOND, VA
800-822-2303

WASHINGTON:

RESTAURANT APPLIANCE SVC
7219 ROOSEVELT WAY, NE
SEATTLE, WA 98115
(206) 524-8200
800-433-9390
FAX: (206) 525-2890
info@restappl.com

WEST VIRGINIA:

STATEWIDE SERVICE, INC.
603 MAIN AVE.
NITRO, WV 25143
(304) 755-1811
(800) 441-9739
FAX: (304) 755-4001
sws3182@aol.com

WISCONSIN:

APPLIANCE SERVICE CENTER, INC.
2439 ATWOOD AVE
MADISON, WI 53704
(608) 246-3160
800-236-7440
FAX: (608) 246-2721
ascmad@execpc.com

APPLIANCE SERVICE CENTER, INC.
6843 W. BELLOIT RD.
WEST ALLIS, WI 53219
(414) 543-6460
800-236-6460
FAX: (414) 543-6480
ascmil@execpc.com

WISCONSIN (cont.):

APPLIANCE SERVICE CENTER
786 MORRIS AVE
GREEN BAY, WI 54304
(920) 496-9993
800-236-0871
FAX: (920) 496-9927
ascfox@execpc.com

METROPOLITAN SERVICE
3210 LONDON RD.
EAU CLAIRE, WI 54701
(715) 832-0555
800-848-3945
FAX: (715) 832-7813

WYOMING:

HAWKINS COMMERCIAL APPLIANCE SERVICE
300 S. WYANDOT ST.
ENGLEWOOD, CO 80110
(303) 781-5548
(800) 624-2117
FAX: (303) 761-5561
johns@hawkinscommercial.com

METRO APPLIANCE SERVICE
1640 S BROADWAY
DENVER, CO 80210
(303) 778-1126
800-525-3532
FAX: (303) 778-0268
metroappls@aol.com

CANADA

Garland Commercial Ranges, Ltd.
1177 KAMATO ROAD
MISSISSAUGA, ONTARIO L4W 1X4
(905) 624-0260
800-427-6668
FAX: (905) 624-0623