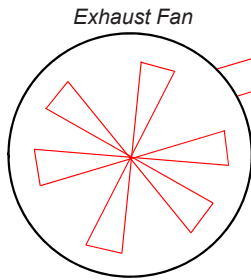
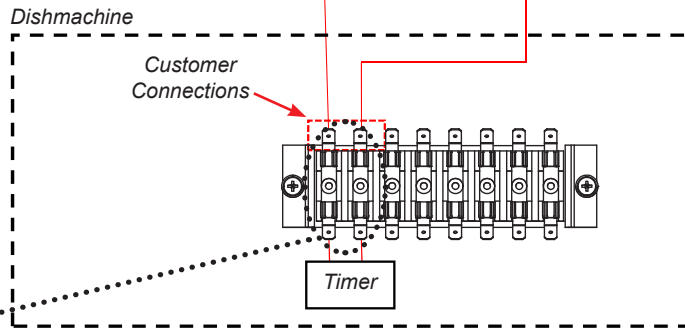




Do NOT connect exhaust fan directly to Fuse Block!

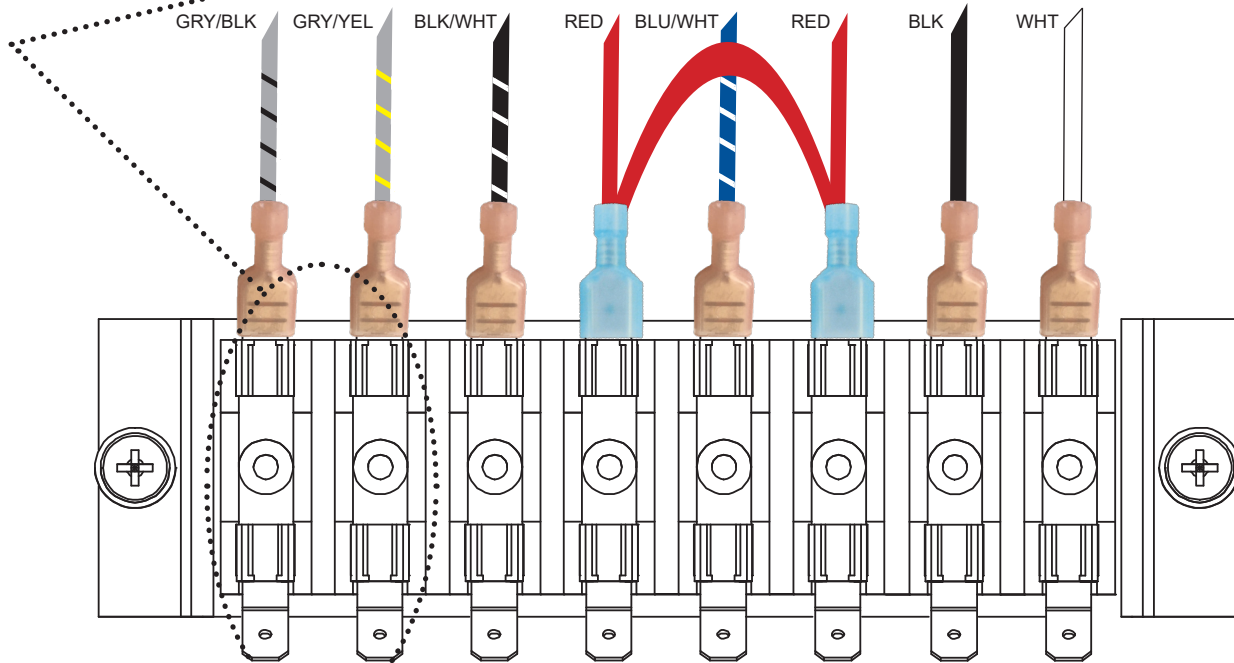


Contactor
(Customer provides or orders optional kit - 05700-004-35-35)



NOTICE
Orientation of Fuse Block and wires might differ between models. Wire colors correspond to function.

Fuse Block



208/230 V
Decal

WARNING: DISCONNECT POWER TO MACHINE BEFORE SERVICING

EXHAUST FAN CONTROL		CONSTANT VOLTAGE CONNECTION	RINSE-AID DISPENSER CONNECTION	DETERGENT DISPENSER CONNECTION
⚠️ MAXIMUM LOAD 1 AMP, 240/120 VAC		LIVE WHEN MACHINE POWER SWITCH IS ON	LIVE WHEN RINSE VALVE IS OPEN	LIVE WHEN WASH PUMP MOTOR IS ON
INPUT L1 (EXTERNAL)	OUTPUT TO EXT. RELAY	FUSE: 3 AMP SLOW-ACTING L1 OUT	FUSE: 3 AMP SLOW-ACTING L2 OUT	FUSE: 3 AMP SLOW-ACTING L1 OUT

460 V
Decal

WARNING: DISCONNECT POWER TO MACHINE BEFORE SERVICING

EXHAUST FAN CONTROL		CONSTANT VOLTAGE CONNECTION	RINSE-AID DISPENSER CONNECTION	DETERGENT DISPENSER CONNECTION
⚠️ MAXIMUM LOAD 1 AMP, 240/120 VAC		LIVE WHEN MACHINE POWER SWITCH IS ON	LIVE WHEN RINSE VALVE IS OPEN	LIVE WHEN WASH PUMP MOTOR IS ON
INPUT L1 (EXTERNAL)	OUTPUT TO EXT. RELAY	FUSE: 200 mA SLOW-ACTING ○ 240 VAC OUT ○	FUSE: 200 mA SLOW-ACTING ○ 240 VAC OUT ○	FUSE: 200 mA SLOW-ACTING ○ 240 VAC OUT ○