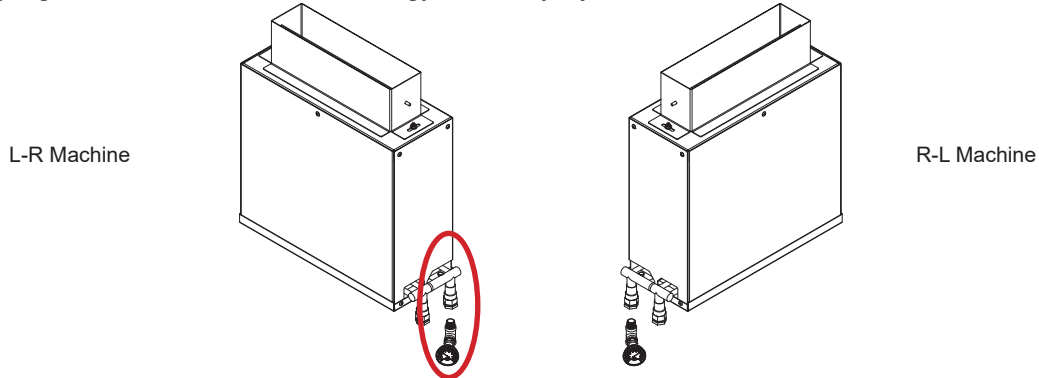


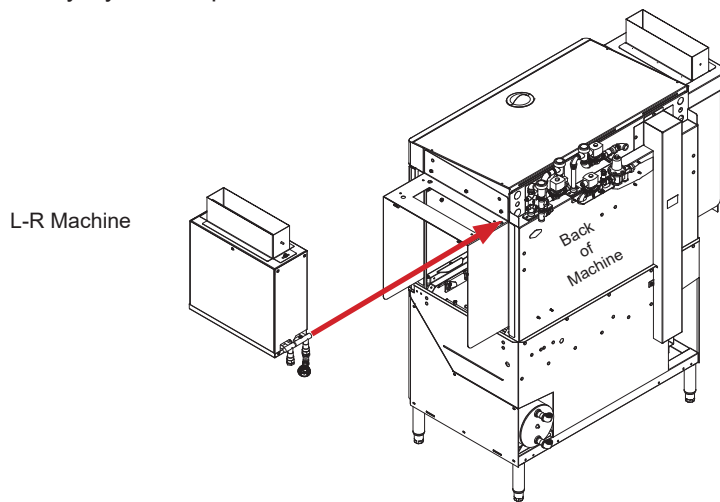
NOTICE

The Energy Recovery System must be installed on the RackStar before proceeding with general installation.

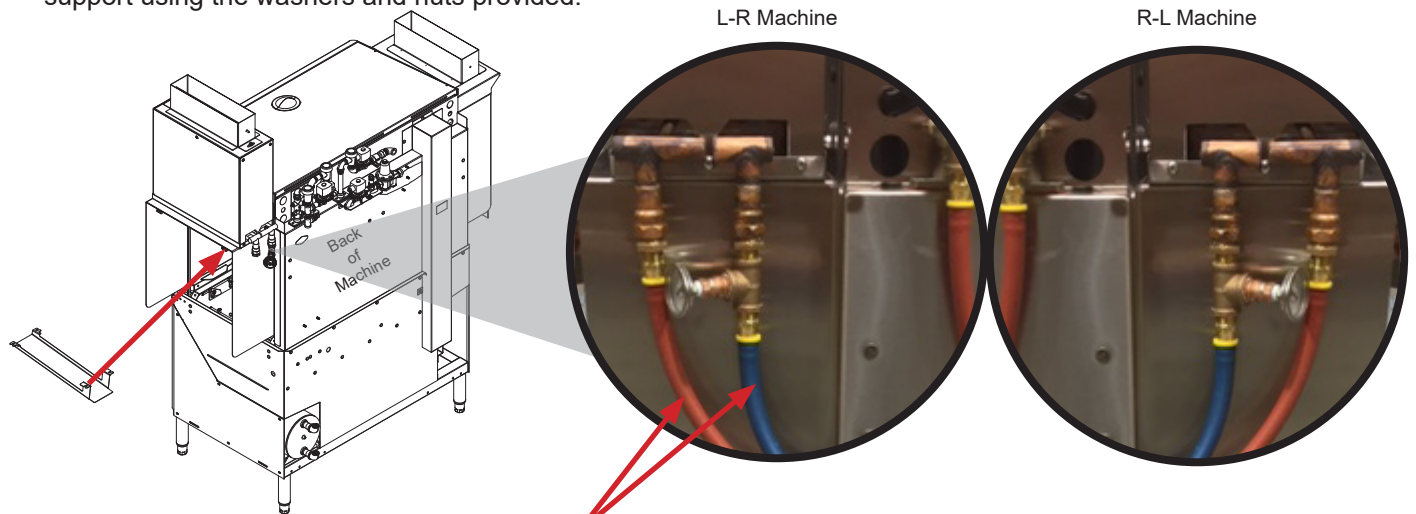
1. Install the gauge on the back side of the Energy Recovery System.



2. Put the Energy Recovery System in place on the machine.



3. Install the drip tray underneath the top coil support and secure it and the Energy Recovery System to the top coil support using the washers and nuts provided.



4. Connect hoses to the Energy Recovery System.