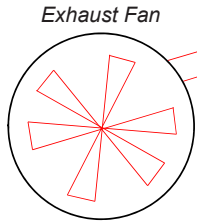


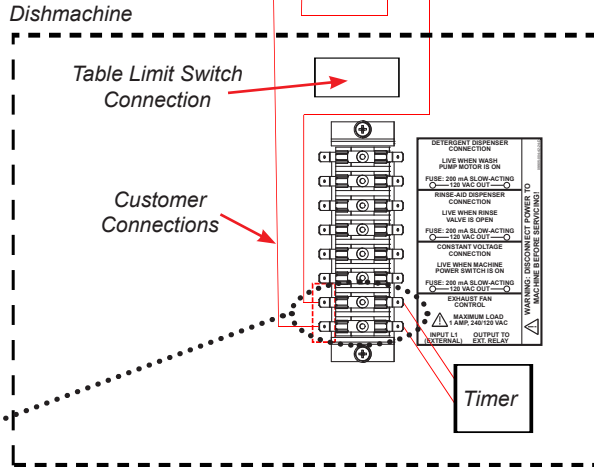


Do NOT connect exhaust fan directly to Fuse Block!



Contactor
(Customer provides or orders optional kit - 05700-004-35-35)

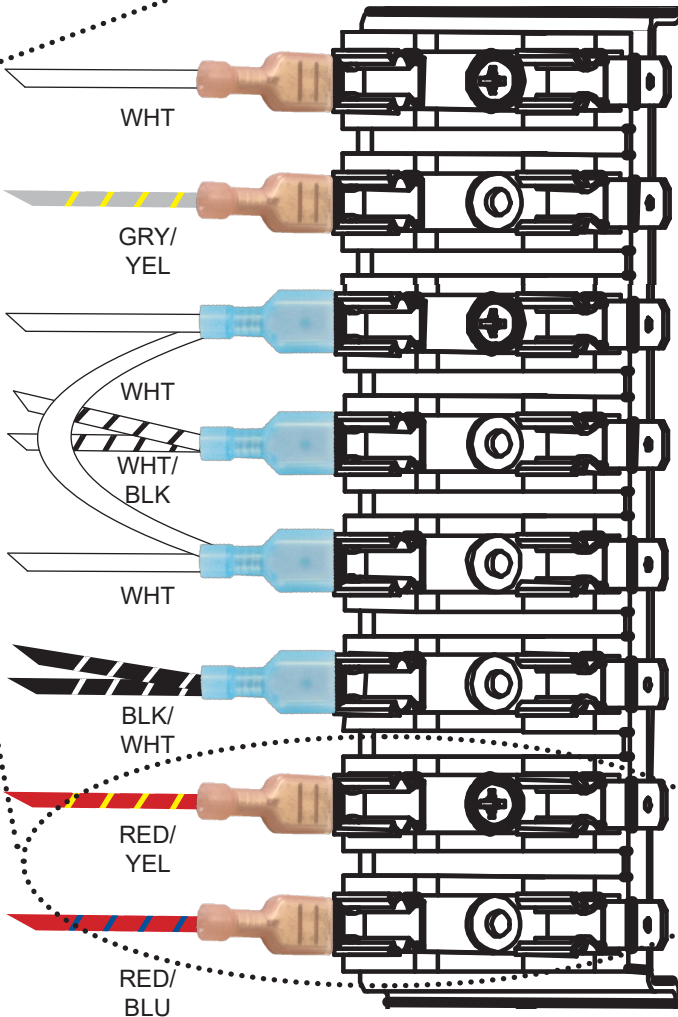
L1
L2/N



NOTICE

Orientation of Fuse Block and wires might differ between models. Wire colors correspond to function.

Fuse Block



<p>DETERGENT DISPENSER CONNECTION</p> <p>LIVE WHEN WASH PUMP MOTOR IS ON</p> <p>FUSE: 200 mA SLOW-ACTING 120 VAC OUT</p>	<p>08905-004-42-24</p> <p>WARNING: DISCONNECT POWER TO MACHINE BEFORE SERVICING!</p>
<p>RINSE-AID DISPENSER CONNECTION</p> <p>LIVE WHEN RINSE VALVE IS OPEN</p> <p>FUSE: 200 mA SLOW-ACTING 120 VAC OUT</p>	
<p>CONSTANT VOLTAGE CONNECTION</p> <p>LIVE WHEN MACHINE POWER SWITCH IS ON</p> <p>FUSE: 200 mA SLOW-ACTING 120 VAC OUT</p>	
<p>EXHAUST FAN CONTROL</p> <p> MAXIMUM LOAD 1 AMP, 240/120 VAC</p> <p>INPUT L1 (EXTERNAL) OUTPUT TO EXT. RELAY</p>	