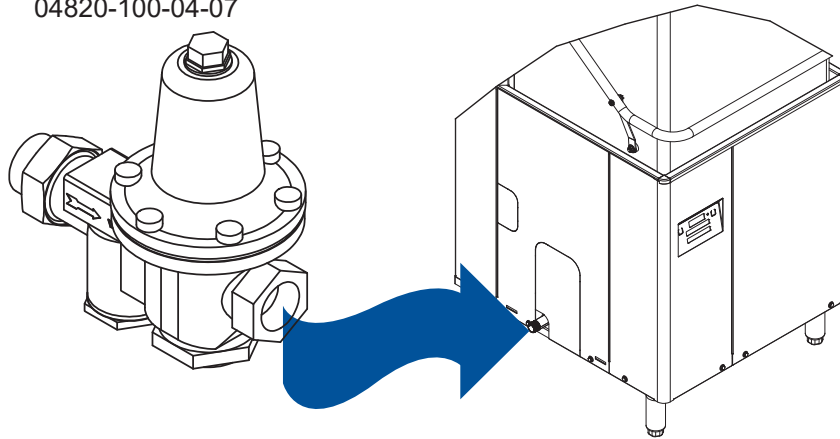




CAUTION! A Pressure Regulating Valve (PRV) has been shipped in a box inside the machine and must be installed on the machine's water inlet before connecting facility water to the machine. Plumbing components should only be installed by a qualified service technician or plumber.

DynaTemp VER

Pressure Regulator Valve, 1/2"
04820-100-04-07



TempStar VER/TempStar HH-E-VER

Pressure Regulator Valve, 3/4"
06685-011-58-22

