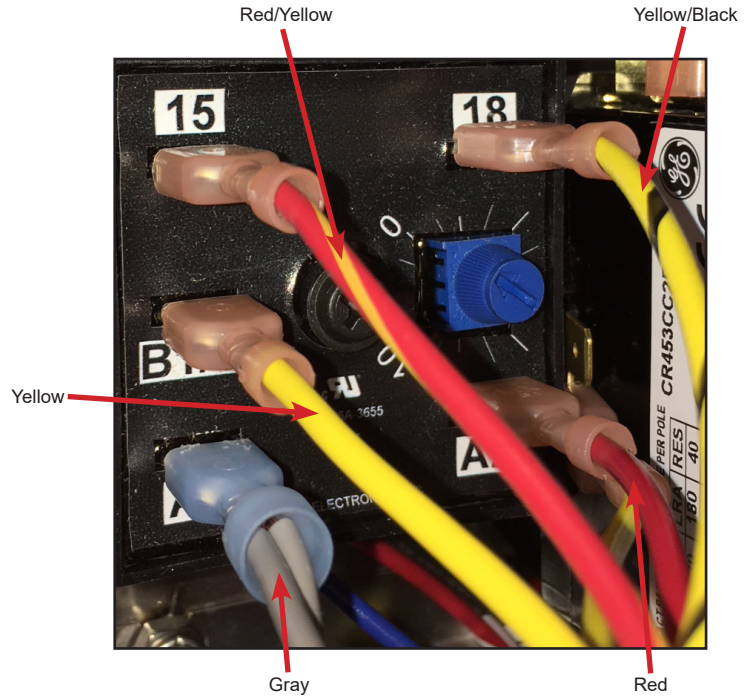
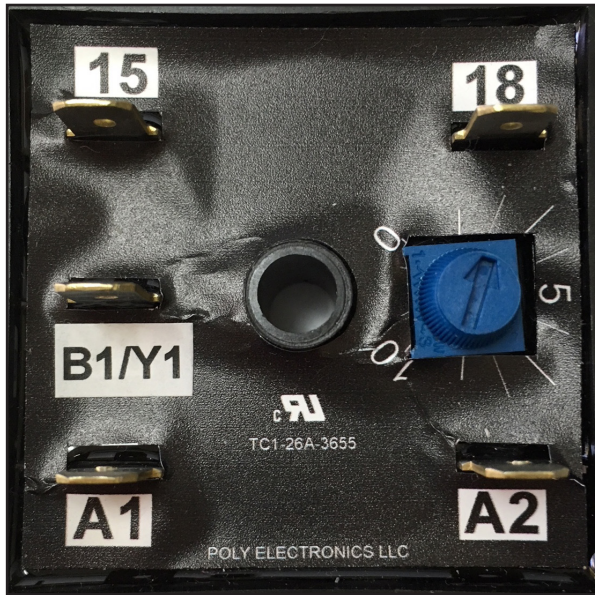


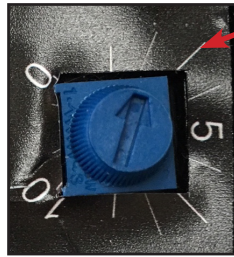
NOTICE

These instructions are for Exhaust Fan Timer 2 (05945-004-34-92). If your machine doesn't have this timer, click the instruction icon for the other timer depicted in the Exhaust Fan Timer section of the manual.

PROGRAMMING



1. Using a flathead screwdriver, turn the blue knob until the arrow points at the "3" line.



This will program the timer to run the fan for 2 1/2 to 3 minutes.

2. If this is not suitable, turn the blue knob until the arrow points at the desired time.

The blue knob can be set from 0 to 10, with each increment corresponding to 1 minute.