



WARNING: This cleaning should be performed only by qualified service personnel to reduce the risk of electric shock, serious injury, or fire. A plumbing permit and the services of a licensed plumber and electrician might be required in some areas.

Turn off the power supply and place the dishwasher disconnect (if applicable) in the off position. Lock-out/Tag-out to prevent the power supply from being turned back on inadvertently. Shut-off incoming water.

CAUTION: Failure to follow these guidelines might adversely affect safety, performance, component life, and warranty coverage.

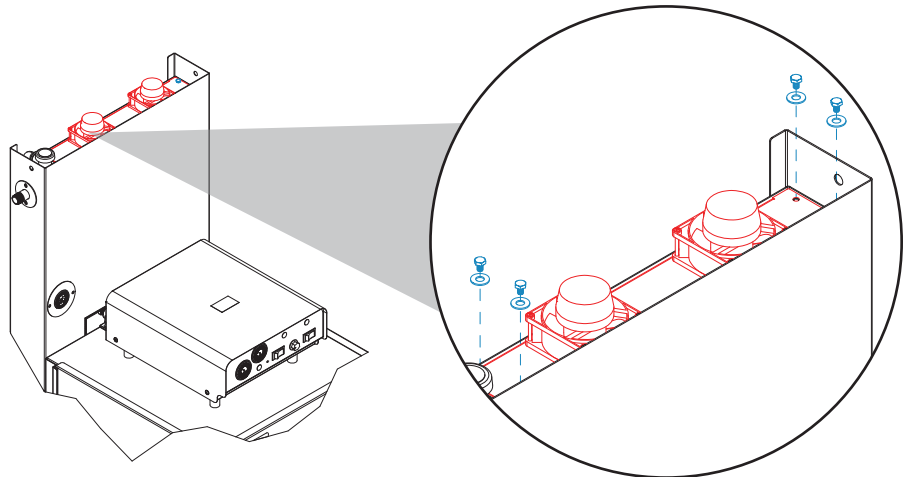
TOOLS REQUIRED

- 7/16" Wrench or Socket
- Hot Water Hose
- Coil Cleaner (if necessary)
- Drop Plastic (if necessary)

COIL CLEANING

1. Remove the four 7/16" bolts and washers from the fan mounting plate.

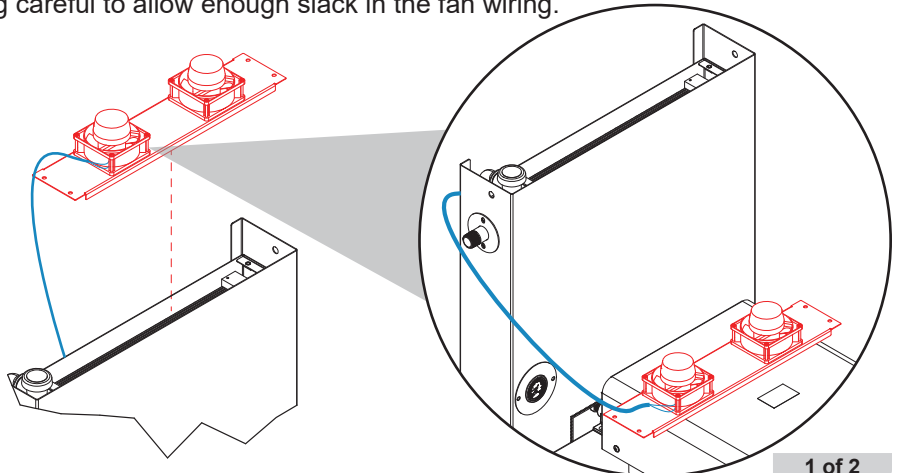
Keep hardware for re-installing later.



2. Lift the fan mounting plate off of the VER system and set it on the control box, being careful to allow enough slack in the fan wiring.



Ensure enough slack is in the fan wiring before setting the fan mounting plate on the control box!

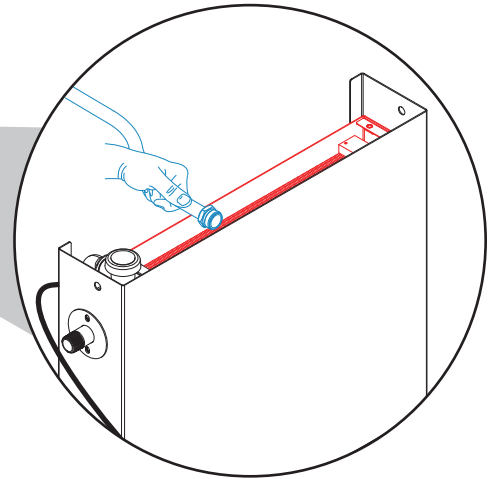
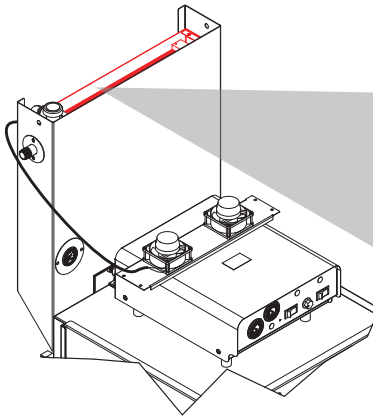


COIL CLEANING

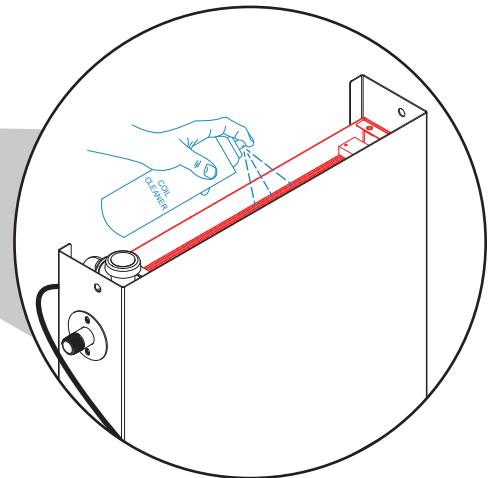
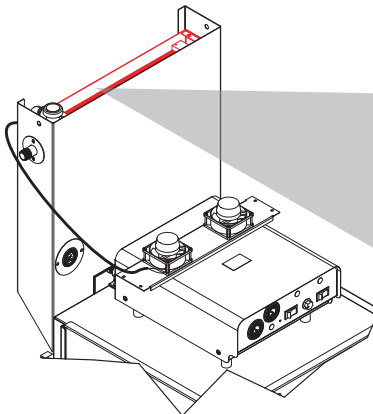


Be careful to keep the water contained within the coil box. If necessary, components can be covered with plastic.

3. Use a hot water hose to rinse the coils off by hosing them down from the top. This should remove any grease and dirt. Be careful to keep the water contained within the coil box.



4. If there is scale build-up on the coils, a coil cleaner approved for use in food-process applications must be used. Spray the coil cleaner on the coils until they are saturated.



For heavy or stubborn deposits, repeat applications might be necessary.

5. Wait five minutes and rinse the coils again as described in Step 3.
6. Replace the fan mounting plate by following Steps 1 and 2 in reverse.
7. Restore power and water to the machine.
8. If a coil cleaner was used, run two cycles in "AUTO" to remove cleaner residue from the wash tank.