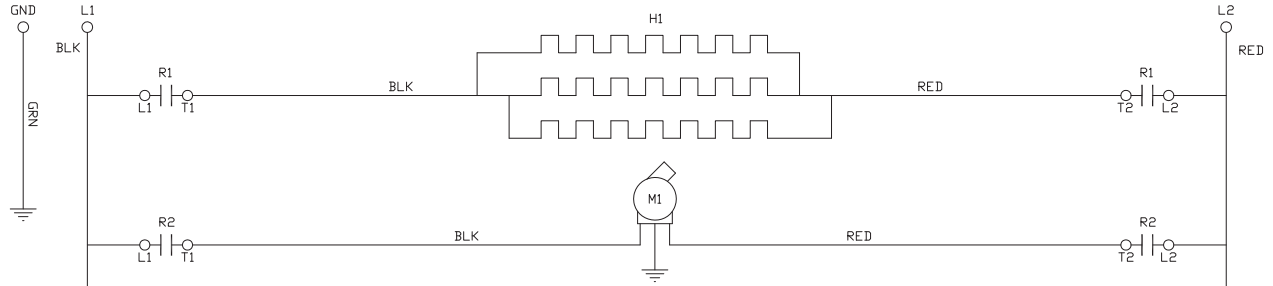


DISHSTAR HT SCHEMATIC

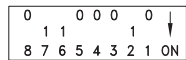
208/230 VOLTS, 50/60 Hz, 1-PHASE



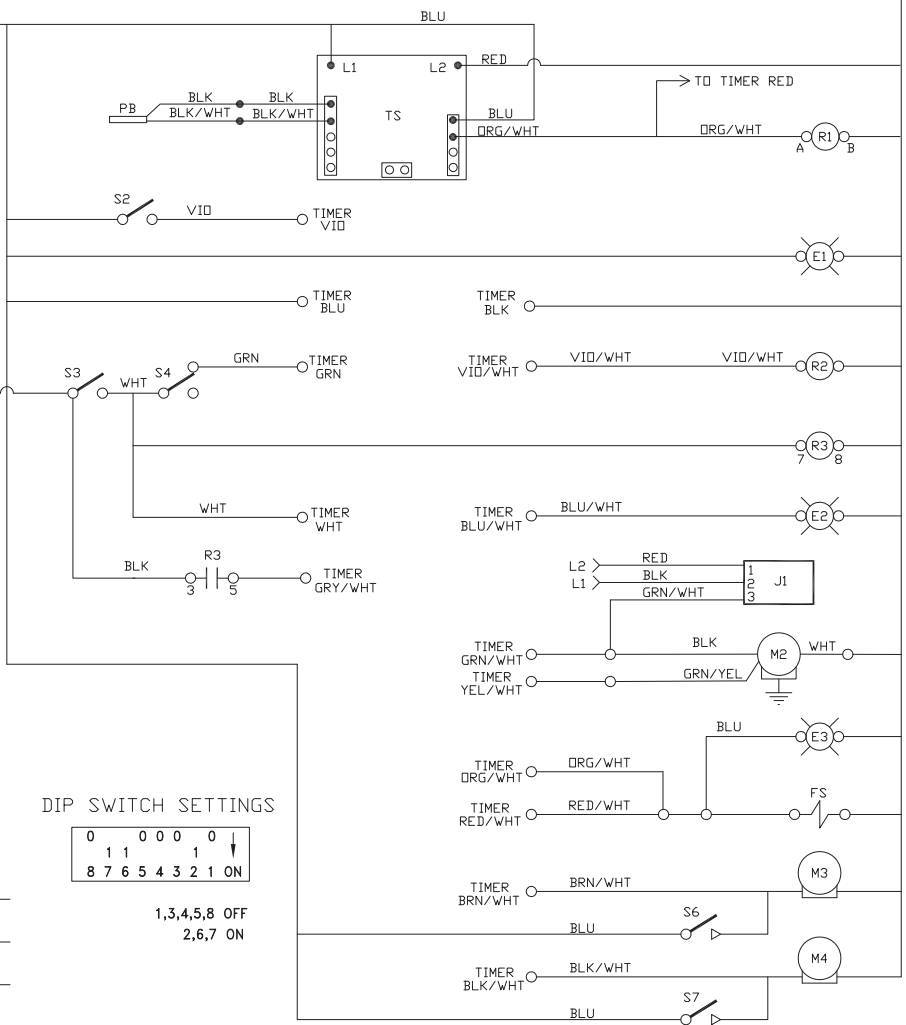
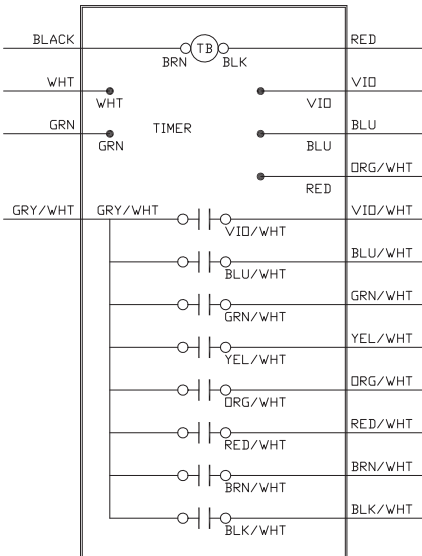
LEGEND

- H1 HEATER
- M1 WASH PUMP MOTOR
- M2 DRAIN MOTOR
- M3 DETERGENT PUMP MOTOR
- M4 RINSE AID PUMP MOTOR
- R1 HEATER CONTACTOR
- R2 WASH MOTOR CONTACTOR
- R3 CONTROL RELAY
- E1 POWER LIGHT
- E2 CYCLE LIGHT
- E3 FILL LIGHT
- S1 POWER SWITCH
- S2 CYCLE SWITCH
- S3 DOOR SWITCH
- S4 AUTO/MANUAL SWITCH
- S5 DRAIN MOTOR LIMIT SWITCH
- S6 DETERGENT PRIME SWITCH
- S7 RINSE AID PRIME SWITCH
- FS FILL SOLENOID
- TS HEATER THERMISTAT
- TB TIMER BOARD
- PB HEATER THERMOSTAT PROBE

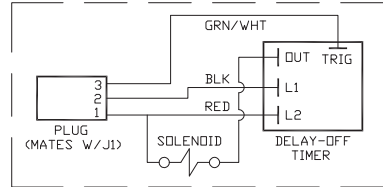
DIP SWITCH SETTINGS



1,3,4,5,8 OFF
2,6,7 ON



DRAIN QUENCH KIT (OPTION)



TIMING CHART

