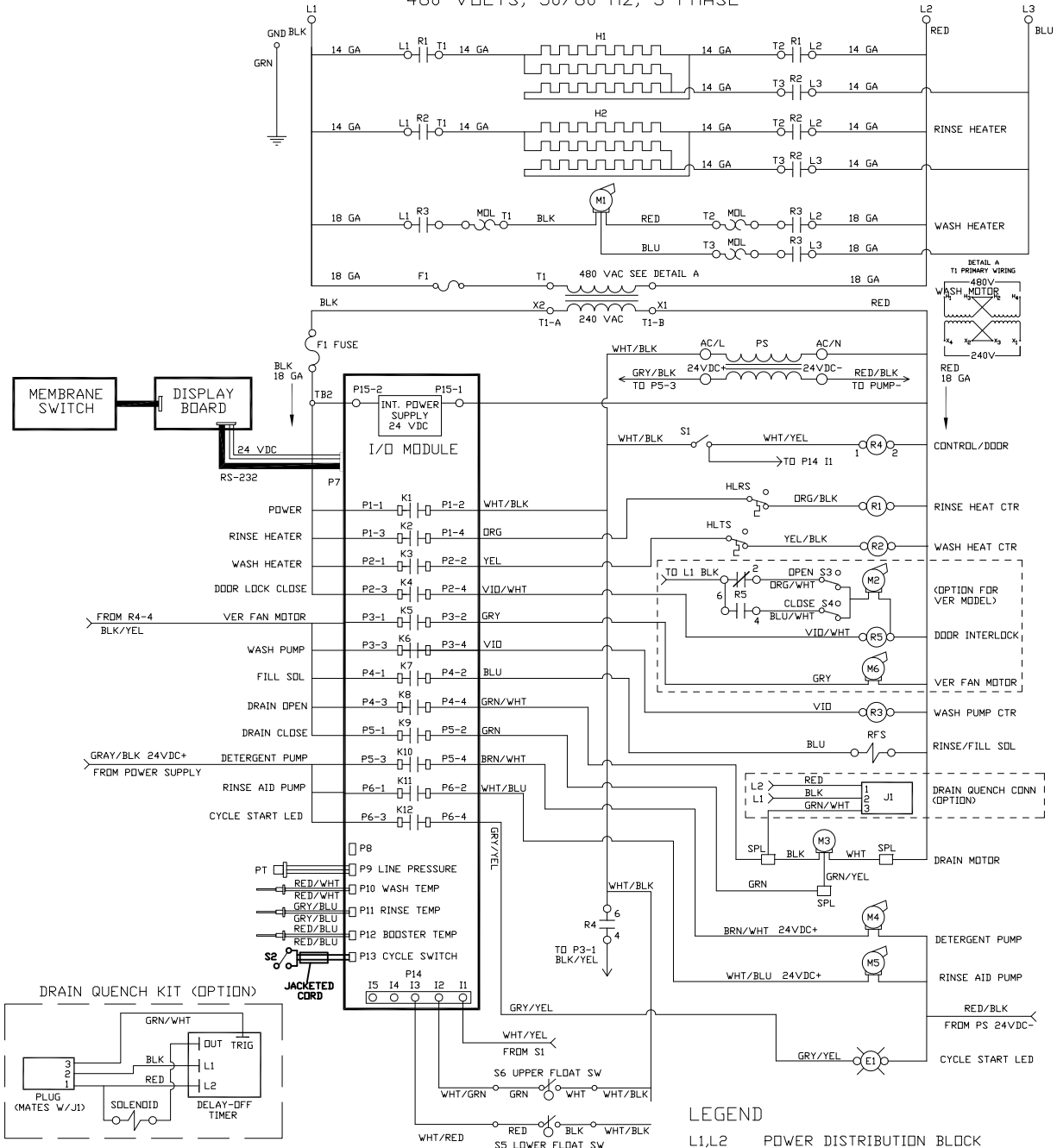
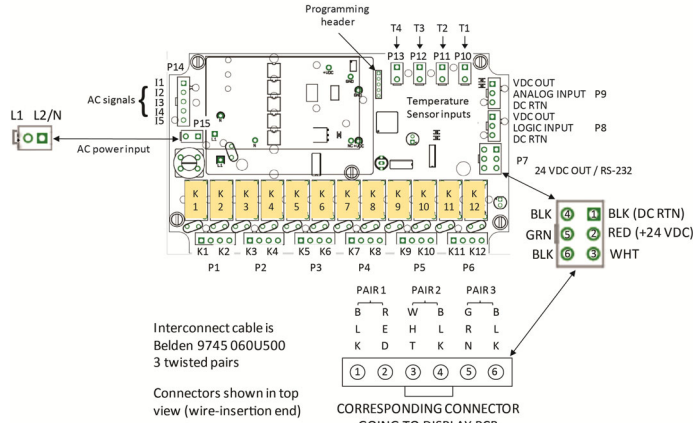


DISHSTAR SCHEMATIC HT-E/HT-E-SEER

460 VOLTS, 50/60 Hz, 3-PHASE



Connection Diagram for IO Module



- LEGEND**
- L1, L2 POWER DISTRIBUTION BLOCK
 - GND EARTH GROUND
 - E1 CYCLE START LED
 - H1 HEATER, RINSE
 - H2 HEATER, WASH
 - M1 MOTOR, WASH PUMP
 - M2 MOTOR, DOOR INTERLOCK (OPTION)
 - M3 MOTOR, DRAIN
 - M4 MOTOR, DETERGENT PUMP
 - M5 MOTOR, RINSE AID PUMP
 - M6 MOTOR, VER FAN (OPTION)
 - R1 CONTACTOR, RINSE HEATER
 - R2 CONTACTOR, WASH HEATER
 - R3 CONTACTOR, WASH PUMP
 - R4 RELAY, CONTROL
 - R5 RELAY, DOOR INTERLOCK (OPTION)
 - F1 FUSE- L1 CONTROL
 - S1 SWITCH, DOOR
 - S2 SWITCH, CYCLE START
 - S3 SWITCH, DOOR LOCK OPEN (OPTION)
 - S4 SWITCH, DOOR LOCK CLOSE (OPTION)
 - S5 SWITCH, FLOAT HEATER CONTROL
 - S6 SWITCH, FLOAT FILL/DRAIN CONTROL
 - HLTS HIGH-LIMIT T-STAT, WASH HEATER
 - HLRS HIGH-LIMIT T-STAT, RINSE HEATER
 - RFS RINSE/FILL SOLENOID
 - PT PRESSURE TRANSDUCER
 - PS POWER SUPPLY 24VDC
 - J1 CONNECTOR, DRAIN QUENCH (OPTION)
 - SPL SPLICE