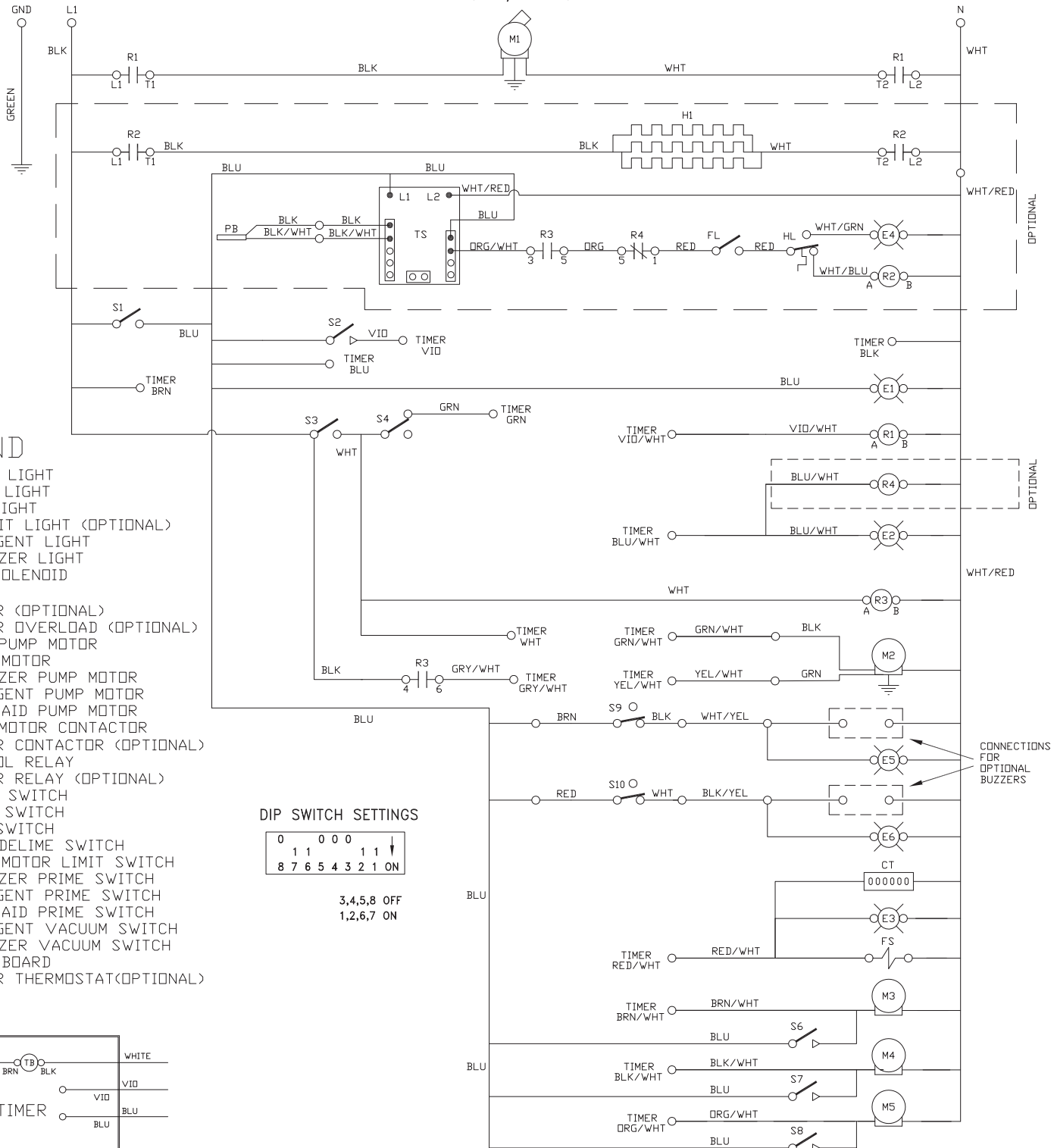


DISHSTAR LT SCHEMATIC

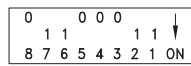
(WITH OPTIONAL WASH-TANK HEATER)
115 VOLTS, 50/60 Hz, 1-PHASE



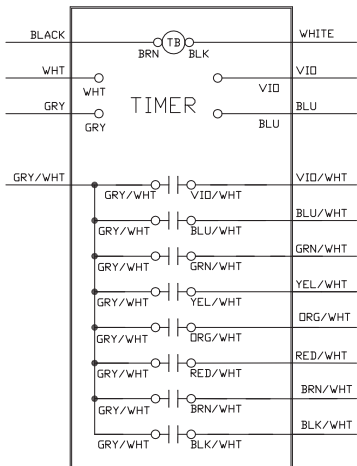
LEGEND

- E1 POWER LIGHT
- E2 CYCLE LIGHT
- E3 FILL LIGHT
- E4 HI LIMIT LIGHT (OPTIONAL)
- E5 DETERGENT LIGHT
- E6 SANITIZER LIGHT
- FS FILL SOLENOID
- FL FLOAT
- H1 HEATER (OPTIONAL)
- HL HEATER OVERLOAD (OPTIONAL)
- M1 WASH MOTOR
- M2 DRAIN MOTOR
- M3 SANITIZER PUMP MOTOR
- M4 DETERGENT PUMP MOTOR
- M5 RINSE AID PUMP MOTOR
- R1 WASH MOTOR CONTACTOR
- R2 HEATER CONTACTOR (OPTIONAL)
- R3 CONTROL RELAY
- R4 HEATER RELAY (OPTIONAL)
- S1 POWER SWITCH
- S2 CYCLE SWITCH
- S3 DOOR SWITCH
- S4 WASH/DELIME SWITCH
- S5 DRAIN MOTOR LIMIT SWITCH
- S6 SANITIZER PRIME SWITCH
- S7 DETERGENT PRIME SWITCH
- S8 RINSE AID PRIME SWITCH
- S9 SANITIZER VACUUM SWITCH
- S10 SANITIZER VACUUM SWITCH
- TB TIMER BOARD
- TS HEATER THERMOSTAT(OPTIONAL)

DIP SWITCH SETTINGS



3,4,5,8 OFF
1,2,6,7 ON



TIMING CHART

		10	20	30	40	50	60	70	80	90	100	110	120	
WASH	ON	[Solid bar]												
DRAIN	OFF	[Solid bar]												
F	ON	[Solid bar]												
G	ON	[Solid bar]												
H	ON	[Solid bar]												
E	ON	[Solid bar]												