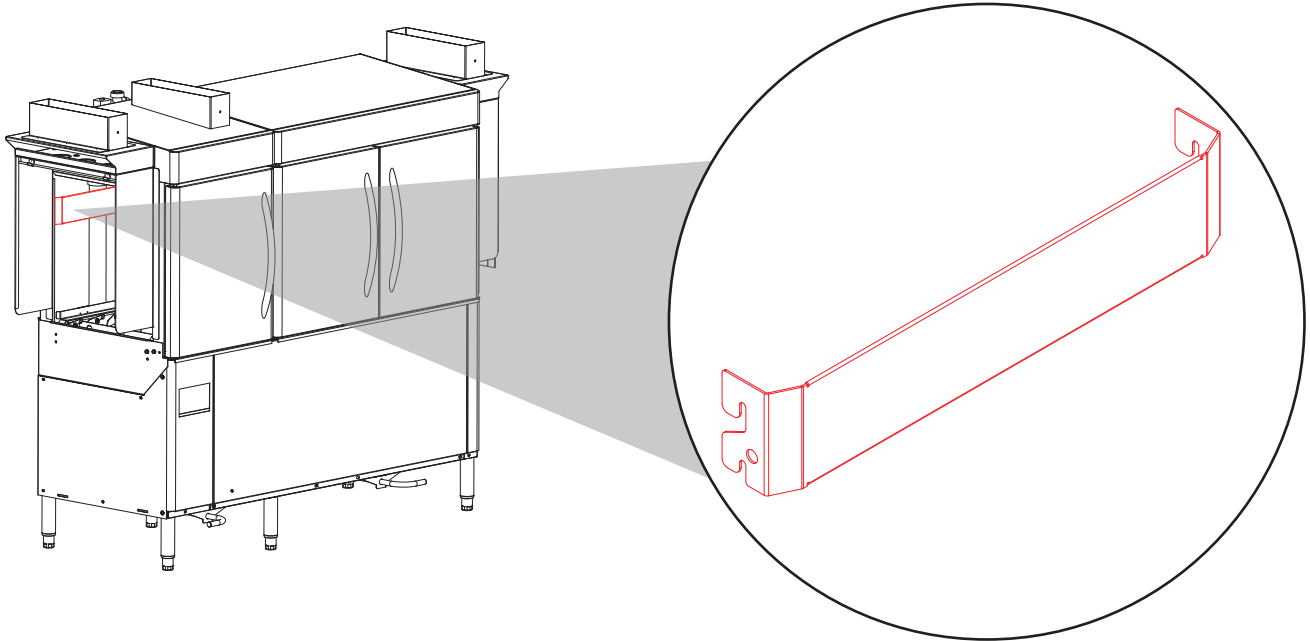


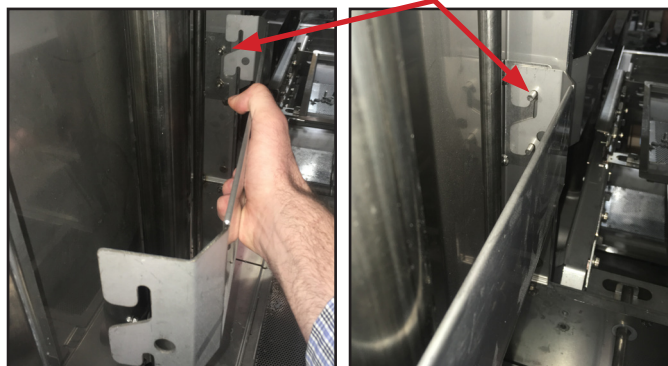
**NOTICE**

*This instructional sheet shows how to reinstall the ware guides. The ware guides are installed by the manufacturer but might come off of the studs and fall into the machine. No tools are required for this install.*

1. Remove the curtains and/or open the doors to gain access to the back of the interior of the machine.



2. Slide the open slots on the ware guide down onto the ware guide studs.



3. The RackStar 44 has one long ware guide and the RackStar 66 has one long and one short. Both ware guides install the same way.

