

**DRAIN WATER TEMPERING KIT - 06401-004-85-80**



**WARNING!** This kit *should* be installed by qualified service personnel to reduce the risk of electric shock, serious injury, or fire. A plumbing permit and the services of a licensed plumber *might* be required in some areas.

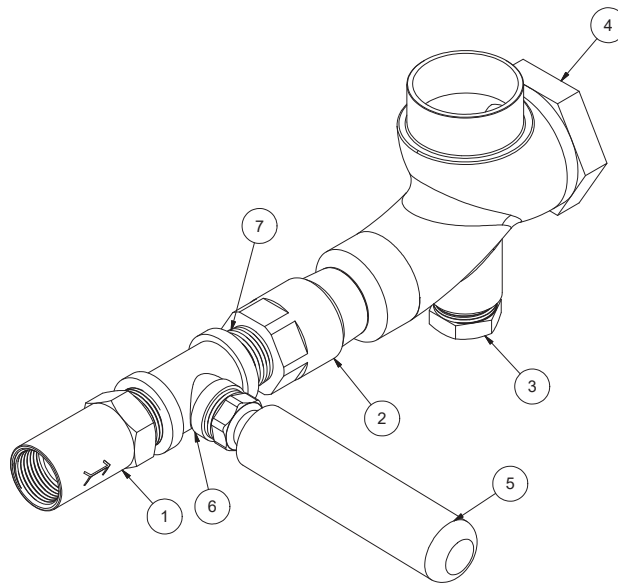
Turn off the power supply and place the dishwasher disconnect (if applicable) in the off position. Lock-out/Tag-out to prevent the power supply from being turned back on by mistake.

**CAUTION!** Failure to install this kit within the guidelines could adversely affect safety, performance, component life, and warranty coverage.

**TOOLS REQUIRED**

- Wrench
- Thread Tape

**PARTS INCLUDED**



ITEM	QTY	DESCRIPTION	PART NUMBER
1	1	Check Valve, 3/4"	04730-004-89-25
2	1	Drain Tempering Valve, Automatic	04730-004-85-79
3	1	Plug, 3/4" Brass	04730-004-88-84
4	1	Fitting, Drain Tempering Elbow	09515-004-79-52
5	1	Arrestor, Water Hammer 1/2"	04730-004-58-56
6	1	Tee, 3/4" x 1/2" x 3/4", Brass	04730-211-06-00
7	1	Nipple, 3/4" x 1 3/8", Brass	04730-207-34-00

### PROCEDURE

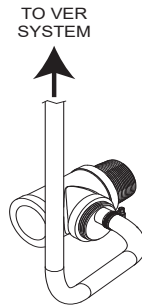
*Tank shown is an example. Drain location varies by model. Reference machine manual or spec sheet.*

1. Drain wash tank if water is present.
2. Locate wash tank drain. Remove any panels that could be in the way during install. If machine is already installed, disconnect existing drain plumbing.

*If DynaStar or DynaTemp VER model, disconnect tee assembly from drain plumbing. Tee assembly will be reinstalled later.*

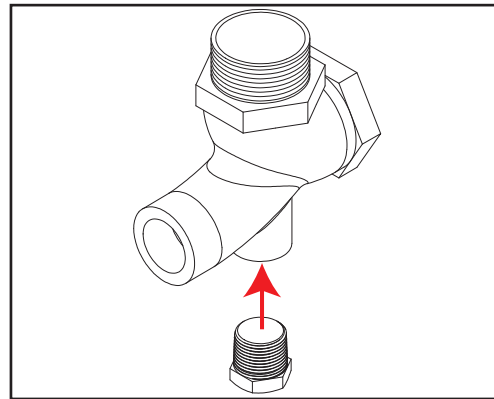


**CAUTION! Extra step for VER models!**



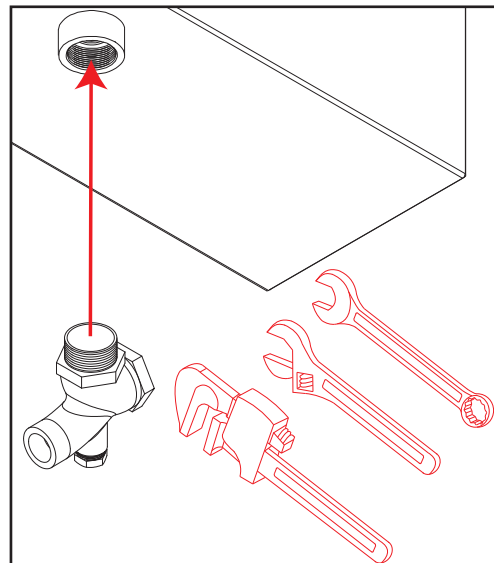
3. Screw Item #3 from kit tightly into bottom of Item #4 from kit.

**Apply thread tape before installing!**



4. Use wrench to attach Item #4 from kit to wash tank drain.

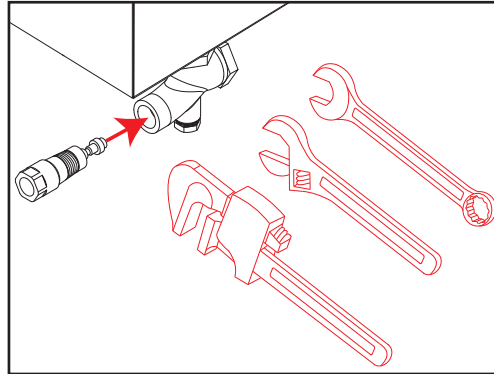
**Apply thread tape before installing!**



### PROCEDURE

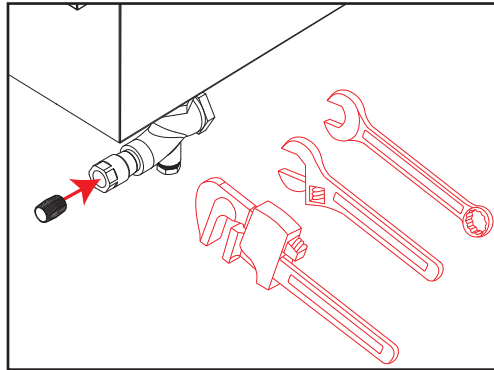
5. Use wrench to install Item #2 from kit into Item #4.

*Apply thread tape  
before installing!*



6. Use wrench to install Item #7 from kit into Item #2.

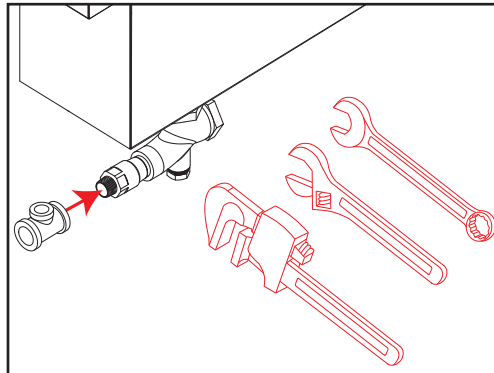
*Apply thread tape  
before installing!*



7. Use wrench to install Item #6 onto Item #7.

*Apply thread tape  
before installing!*

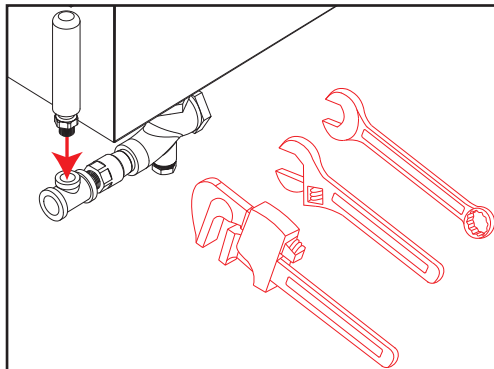
*Tee can be oriented  
in any direction.  
See Parts Included  
section for example.*



8. Use wrench to install Item #5 into Item #6.

*Apply thread tape  
before installing!*

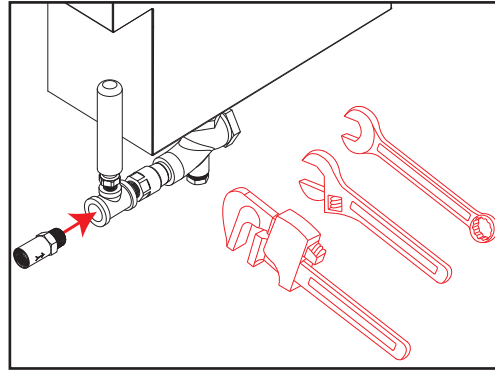
*Tee and hammer arrestor  
can be oriented  
in any direction.  
See Parts Included  
section for example.*



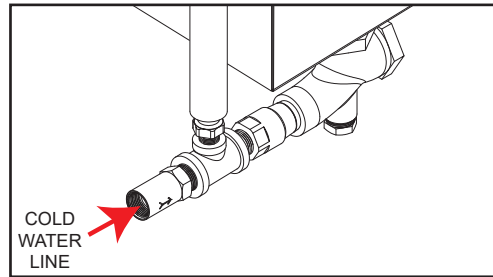
### PROCEDURE

9. Use wrench to install Item #1 into Item #6.

*Apply thread tape before installing!*

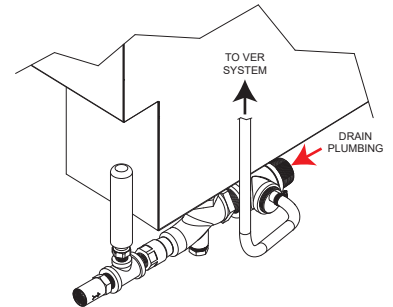
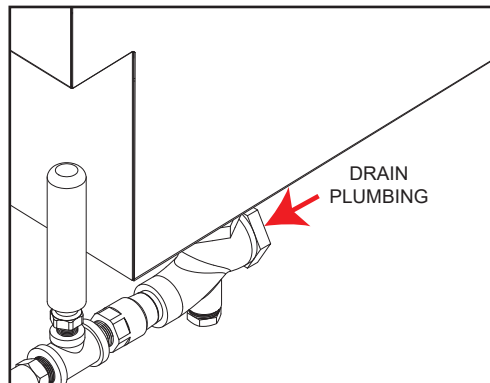


10. Connect cold water line to Item #1.



11. Connect drain plumbing to back of Item #4.

*If DynaStar or DynaTemp VER model, install tee assembly removed in Step 2 between Item #4 and drain plumbing.*



**CAUTION! Extra step for VER models!**

12. Restore power and water to machine.  
13. Run three cycles to check for leaks.