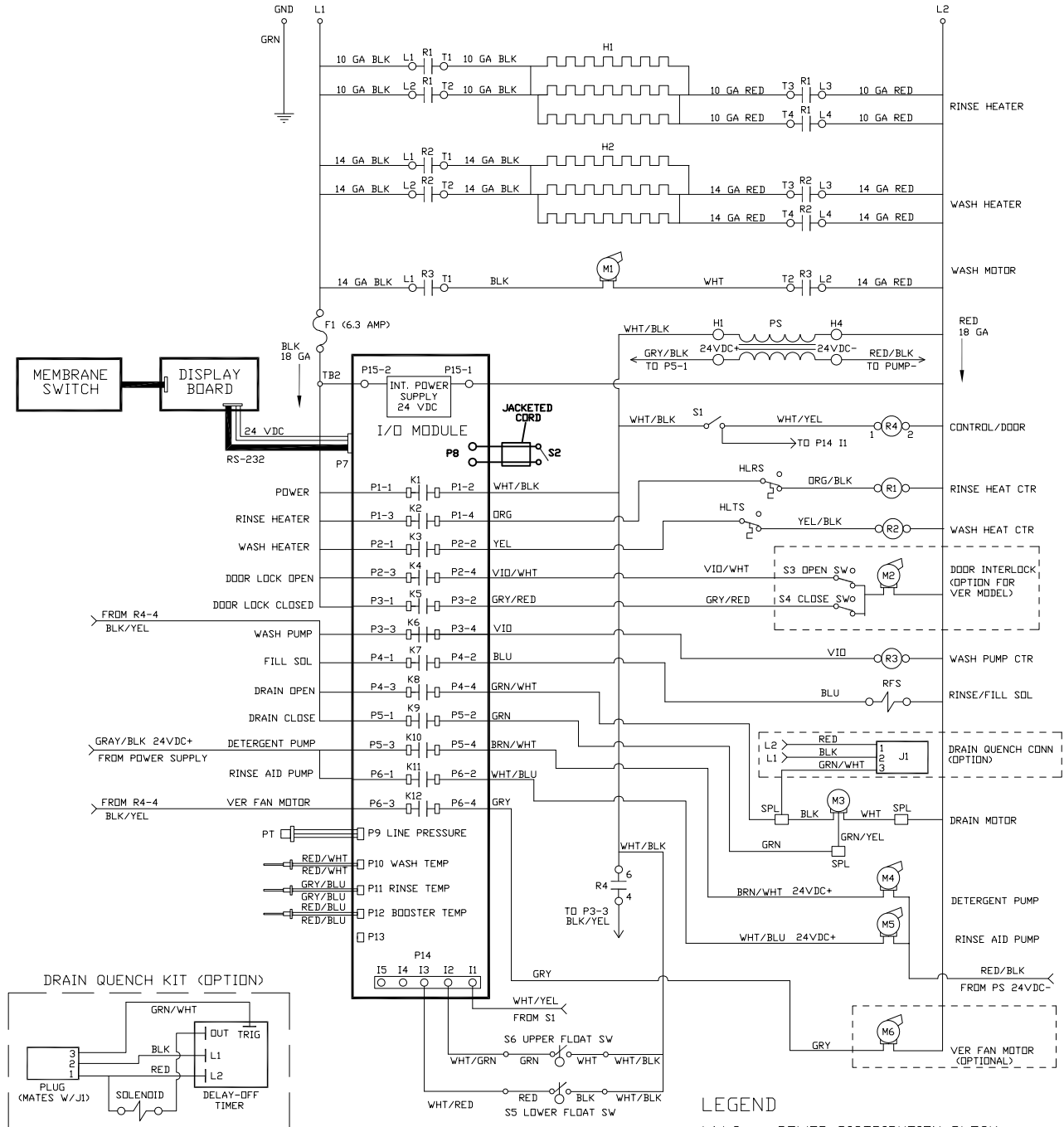


DELTA HT-E-SEER SCHEMATIC

208/230 VOLTS, 50/60 Hz, 1-PHASE



Connection Diagram for IO Module

